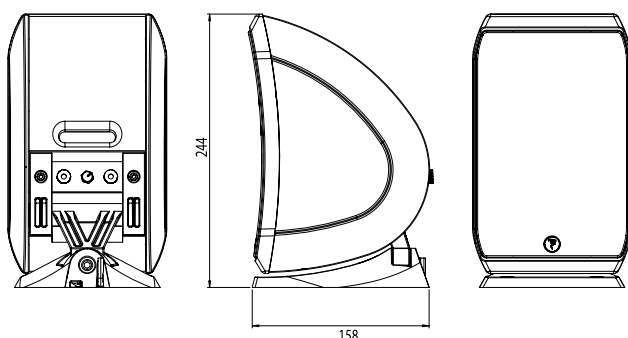


Sib-T

Sib & Co Line

4Ω / 100V



Key Points

- Unique design.
- Available in 2 colors (Pearl White and Jet Black) for optimum integration.
- Locking and adjustable fixing support supplied, for table, wall and ceiling.
- 4Ω/100V mode by switching.
- Protected terminals.
- Excellent voice reproduction.
- Compact and discreet high-end solution.
- Treated for a use in damp environment.

Technical specifications

Nominal power (4Ω / 100V)	50W/4Ω - 30W, 15W, 7.5W/100V
Sensitivity at 1W/30W (at 1kHz, 1wm)	90dB/105dB
Bandwidth (± 3dB)	80Hz - 20kHz
Horizontal opening angle (at 1kHz/4kHz, -6dB)	160°/130°
Vertical opening angle (at 1kHz/4kHz, -6dB)	150°/70°
Nominal voltage	100 Volts
Nominal impedance	4Ω/900Ω (7.5W) / 450Ω (15W) / 250Ω (30W)
Passive crossover cut-off frequency	3kHz
Drivers	5 ¹ / ₈ " [130mm] Polyflex® cone woofer 0 ³ / ₄ " [19mm] Mylar dome tweeter
Dimensions (L x H x D)	5 ⁹ / ₁₆ " [142mm x 247mm x 164mm]
Weight	5.73 lb [2.6kg]
Color	Pearl White (ref : Sib-T PW) Jet Black (ref : Sib-T JB)



The invisible great Focal sound.

The Focal Professional Commercial Integration range is the answer to two fundamental constraints:

- offering very high quality sound audio solutions
- promoting product integration to preserve architectural harmony.

Applications :

The Focal Sib-T loudspeaker can be installed in numerous applications such as: conference rooms, shopping malls, lecture halls, restaurants, corridors, shops, swimming-pools, hotels, boats, museums, meeting rooms, ...

Packaging

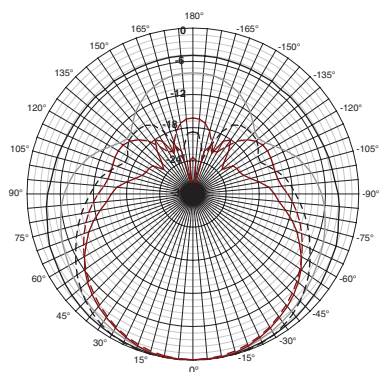
- 1 speaker with its fixing
- 1 set of screws for the fixing accessory

Environmental characteristics

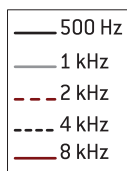
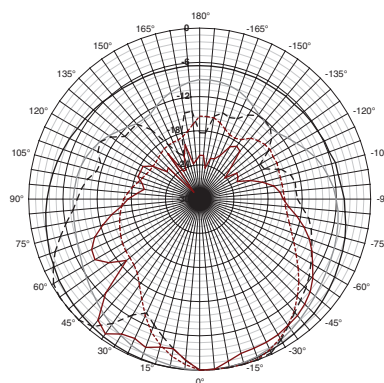
- Ambient temperature: -25 °C to + 55 °C
- Watertightness: damp environment

Electrical diagram

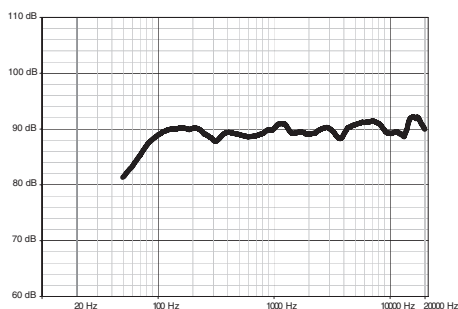
Horizontal directivity



Vertical directivity



Frequency response



Sib-T speaker level calculation table

Power/Distance	1 meter	2 meters	5 meters	Summary	125Hz	250Hz	500Hz	1kHz	2kHz	4kHz	8kHz
1 watt	90dB	84dB	76dB	NPA {1W/1m}(dB)	90	89	89	90	89	89	91
7.5 watts	99dB	93dB	85dB	NPA {30W/1m}(dB)	105	104	104	105	104	104	106
15 watts	102dB	96dB	88dB	Horizontal opening at -6 dB	360°	360°	360°	160°	110°	130°	110°
30 watts	105dB	99dB	91dB	Vertical opening at -6 dB	360°	360°	260°	150°	65°	70°	100°

Values of average ambient level examples

110dB	Discotheque
90dB	Pub, stadium during a goal
80dB	Multipurpose room, station, stadium terraces
70dB	Supermarket, shop, swimming-pool, ice-rink
60dB	Conference room, office, museum, place of worship
50dB	Classroom
25dB	Quiet room