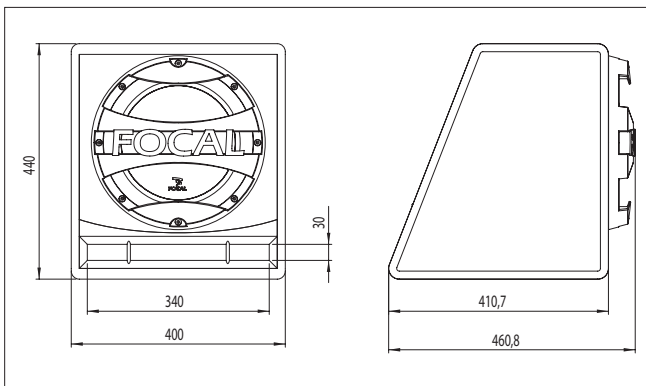
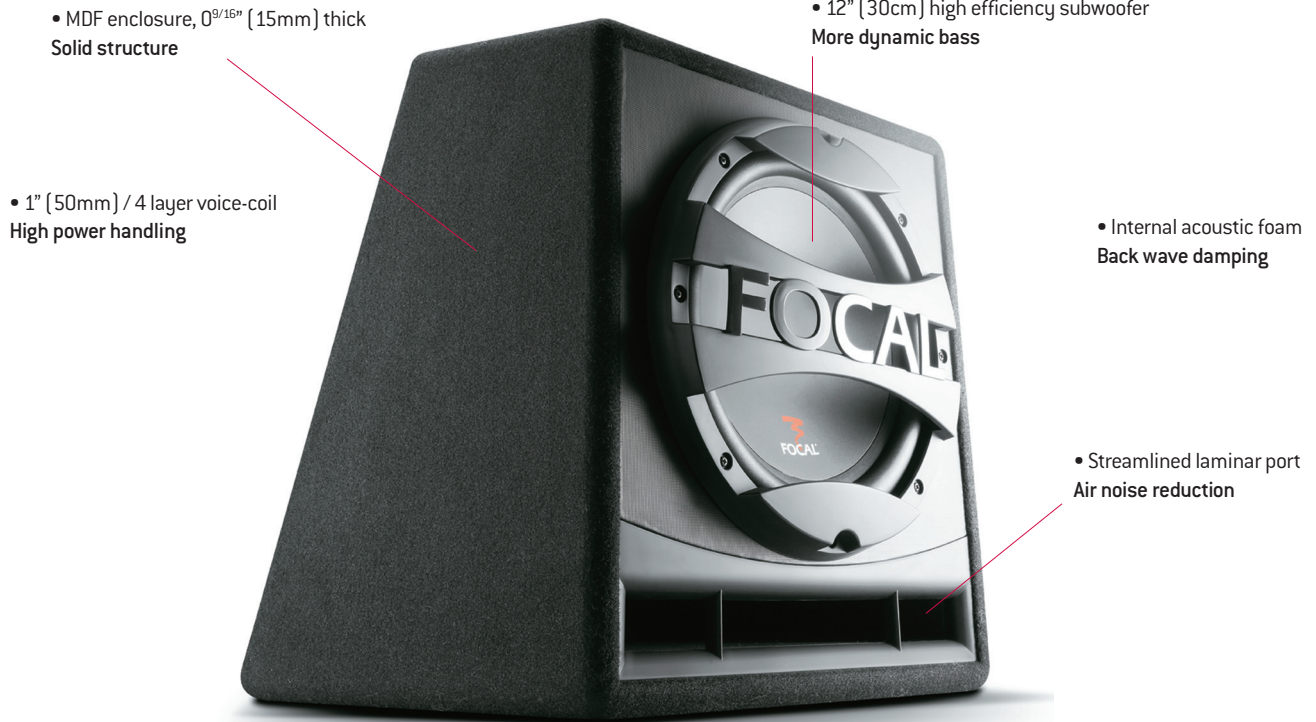


Performance SB P 30



Vented enclosure with 12" (30cm) subwoofer



ADVANTAGES

- Laminar port
- Dynamics and high power handling
- Excellent performance/size ratio
- Protection grille

TECHNICAL CHARACTERISTICS

Diameter: 12" (300mm)

Voice-coil diameter: 2" (50mm)

Voice-coil height: 0^{3/4"} (18.5mm)

Magnet: 5^{11/16"} (145mm)

Max. power: 600 Watts

Nom. power: 300 Watts rms

Sensitivity (2.83V/1m): 90.8dB

Frequency response: 40Hz – 500Hz

Impedance: 4 Ohms