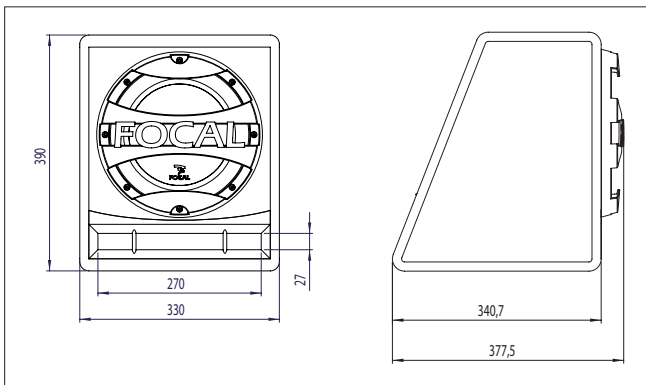
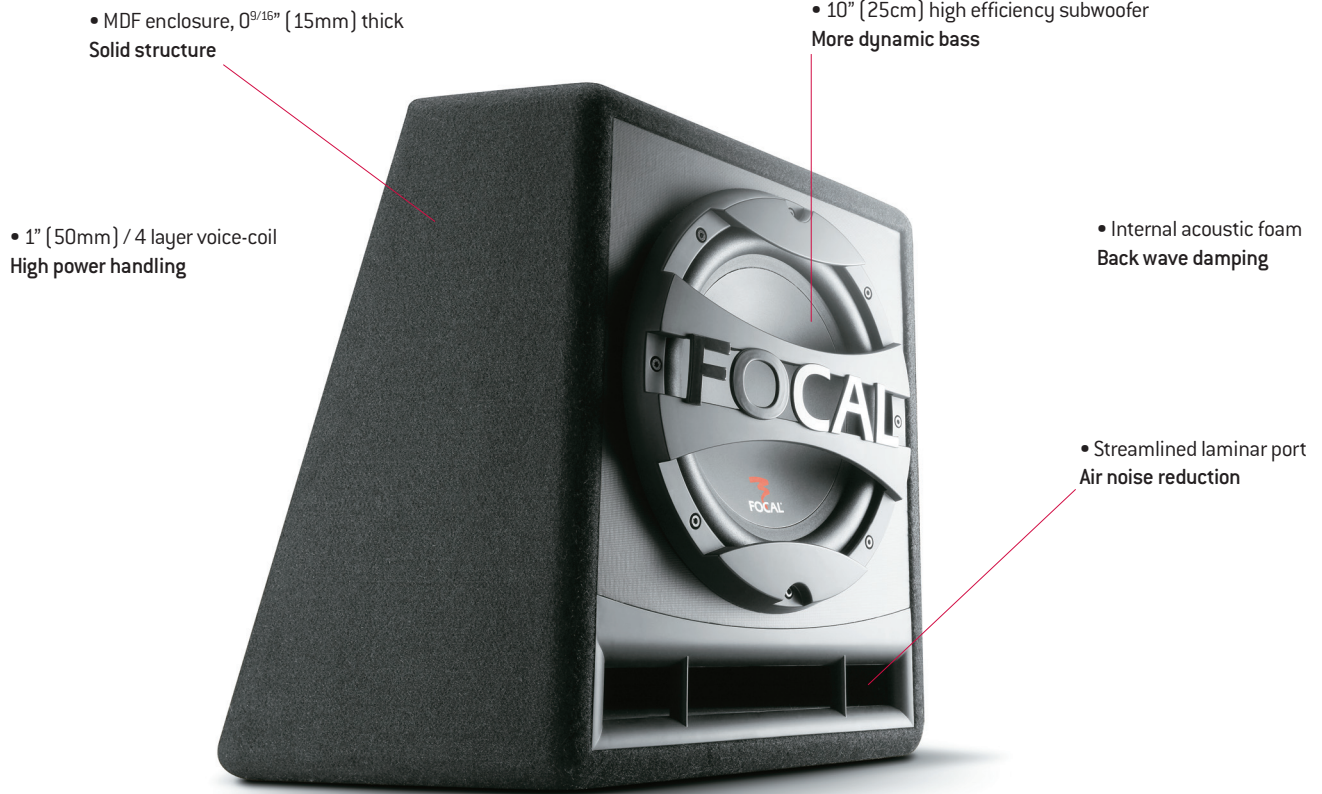


Performance SB P 25



Vented enclosure with 10" (25cm) subwoofer



ADVANTAGES

- Laminar port
- Dynamics and high power handling
- Excellent performance/size ratio
- Protection grille

TECHNICAL CHARACTERISTICS

Diameter: 10" (250mm)

Voice-coil diameter: 2" (50mm)

Voice-coil height: 0^{3/4}" (18.5mm)

Magnet: 5^{11/16}" (145mm)

Max. power: 500 Watts

Nom. power: 250 Watts rms

Sensitivity (2.83V/1m): 90.2dB

Frequency response: 42Hz – 500Hz

Impedance: 4 Ohms