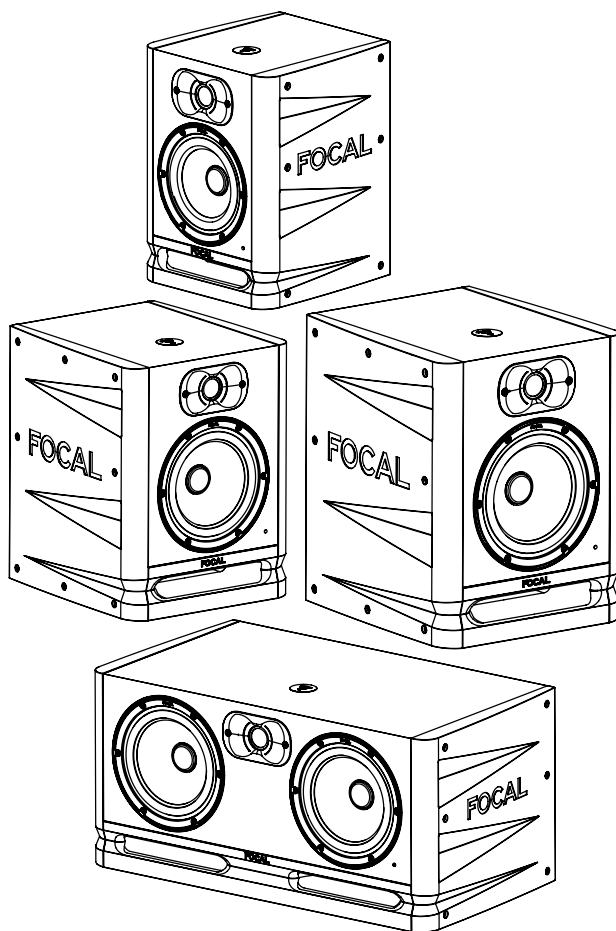


ALPHA™ EVO

User manual / Руководство по эксплуатации / 安装手册 /
사용 설명서 / 取扱説明書 / 用戶手冊 / دليل المستخدم



 **FOCAL®**

EN

RU

ZH

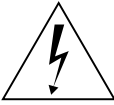

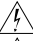
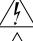
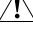


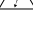


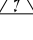






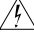









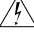





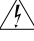






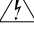









KO

JA

TW

AR

READ FIRST ! IMPORTANT SAFETY INSTRUCTIONS !

	<div style="background-color: black; color: white; padding: 5px; border: 1px solid black; border-radius: 10px;"> <p>CAUTION</p> <p>RISK OF ELECTRIC SHOCK</p> <p>DO NOT OPEN</p> </div>	
<p>The bolt of lightning in an equilateral triangle warns the user that the device has high voltage that could result in a risk of electric shock.</p>	<p>Warning: To prevent any risk of electric shock, do not remove the cover (or the back) from the device. There are no user-serviceable parts in this device. For maintenance or repairs, contact a qualified professional.</p>	<p>The exclamation mark in an equilateral triangle warns the user that the manual contains important instructions on how to use and look after the device.</p>
<div style="display: flex; flex-direction: row-reverse;"> <div style="margin-right: 10px;">                </div> <div> <ol style="list-style-type: none"> 1. Read these instructions. 2. Keep these instructions. 3. Heed all warnings. 4. Follow all instructions. 5. Do not use this apparatus near water. 6. Clean only with dry cloth. 7. Do not block any ventilation openings. Install in accordance with the manufacturer's instructions. 8. Do not install near any heat sources such as radiators, heat registers, stoves, or other apparatus (including amplifiers) that produce heat. 9. Do not defeat the safety purpose of the polarized plug. A polarized plug has two blades with one wider than the other. The wide blade is provided for your safety. If the provided plug does not fit into your outlet, consult an electrician for replacement of the obsolete outlet. 10. Protect the power cord from being walked on or pinched particularly at plugs, convenience receptacles, and the point where they exit from the apparatus. 11. Only use attachments/accessories specified by the manufacturer. 12. Use only with the cart, stand, tripod, bracket, or table specified by the manufacturer, or sold with the apparatus. When a cart is used, use caution when moving the cart/apparatus combination to avoid injury from tip-over. 13. Unplug this apparatus during lightning storms or when unused for long periods of time. 14. Refer all servicing to qualified service personnel. Servicing is required when the apparatus has been damaged in any way, such as power-supply cord or plug is damaged, liquid has been spilled or objects have fallen into the apparatus, the apparatus has been exposed to rain or moisture, does not operate normally, or has been dropped. </div> </div>	<div style="display: flex; flex-direction: row-reverse;"> <div style="margin-right: 10px;">                   </div> <div> <ol style="list-style-type: none"> 15. This product is a device belonging to Class 1. Only plug in the device using the mains plug provided, which incorporates an earth connection. The device must be plugged into an earthed mains socket. 16. When the On/Off switch, or the mains plug or adapter connected to the product is used as a disconnect device, this device must remain readily accessible. 17. WARNING: To reduce the risk of fire or electric shock, do not expose this apparatus to water, rain or moisture. And the apparatus shall not be exposed to dripping or splashing and that no object filled with liquids, such as vases, shall be placed on the apparatus. 18. Do not obstruct ventilation openings. 19. Do not insert any objects into the device's ventilation openings. They could come into contact with one of the high-voltage components or short-circuit them and cause a fire or electric shock. Do not spill liquid on the device. 20. Do not attempt to repair this device yourself. Opening it may expose you to hazardous voltages or to other risks. Contact a qualified professional for all maintenance work. 21. The equipment shall be used at maximum 45 degree Celsius ambient temperature (113°F). 22. Do not use this device at altitudes of more than 2,000 m (6,500 ft). 23. Do not overload wall sockets, extension leads or multiple socket outlets as this could cause fire or electric shock. 24. The device must not be mounted to a wall or ceiling unless intended by the manufacturer. </div> </div>	<div style="display: flex; flex-direction: row-reverse;"> <div style="margin-right: 10px;">                   </div> <div> <ol style="list-style-type: none"> 25. If the product has been transported from a cold to a warm environment, make sure that no condensation has occurred before connecting the power cord. 26. No naked flame sources, such as lit candles, should be placed on top of the device. 27. The product should only be connected to the mains power type shown on the label on the device. If you're not sure what type of mains electrical supply you have, ask your retailer or your electricity supplier. For devices intended for use with a battery or another power source, see the user manual. 28. Always leave a distance of at least 5 cm (2") around the product for proper ventilation. 29. When replacement components are needed, make sure that the maintenance technician uses the components recommended by the manufacturer or components with the same technical features as the original product. Using non-compliant components could cause fires, electric shocks or other risks. 30. After any maintenance or repair work on the device, ask the maintenance technician to test it to check that it works safely. 31. To avoid damaging your hearing, do not listen to loudspeakers at high volumes for long periods of time. Listening to speakers at high volumes can cause damage to the user's ears and may lead to hearing problems (temporary or permanent deafness, buzzing in the ears, tinnitus, hyperacusis). Exposure to excessive volumes (over 85dB) for more than one hour can cause irreparable damage to your hearing. </div> </div>

Canada : Industry Canada Statement:

This device complies with ISED's licence-exempt RSSs. Operation is subject to the following two conditions: (1) This device may not cause harmful interference, and (2) this device must accept any interference received, including interference that may cause undesired operation.

Le présent appareil est conforme aux CNR d'ISED applicables aux appareils radio exempts de licence. L'exploitation est autorisée aux deux conditions suivantes : (1) le dispositif ne doit pas produire de brouillage préjudiciable, et (2) ce dispositif doit accepter tout brouillage reçu, y compris un brouillage susceptible de provoquer un fonctionnement indésirable.

USA : Federal Communication Commission Interference Statement

This device complies with Part 15 of the FCC Rules. Operation is subject to the following two conditions: (1) This device may not cause harmful interference, and (2) this device must accept any interference received, including interference that may cause undesired operation.

This equipment has been tested and found to comply with the limits for a Class B digital device, pursuant to Part 15 of the FCC Rules. These limits are designed to provide reasonable protection against harmful interference in a residential installation. However, there is no guarantee that interference will not occur in a particular installation.

ALPHA EVO

User manual

4

Please validate your Focal-JMLab warranty,
it is now possible to register your product online: www.focal.com/warranty



Thank you for purchasing a Focal product. Welcome to our High-Fidelity world. Innovation, tradition, excellence and pleasure are our values; our one and only aim is to bring you a sound that is rich, pure and true. To get the most out of your product, we recommend that you read the instructions in this booklet, then store it in a safe place to refer to in the future.

Package contents

A loudspeaker is delivered with the following elements (in addition to this manual):

- **1 power cable**
- **1 protective grille for the tweeter (we advise that you remove it for listening as soon as possible).**
- **1 protective grille for the woofer (we advise that you remove it for listening as soon as possible).**
- **4 rubber feet**

Check that nothing is missing and remove all the accessories from the box. In order not to damage your products while unpacking them, please follow these steps: open the flaps of the cardboard box completely. Fold them back down the sides. Remove the top protective packaging. Lift out the loudspeaker carefully. Check that the packaging does not show any signs of damage. If the packaging has been damaged, let the carrier and the supplier know. It is important to keep the packaging in good condition for any future use.

Recommendations

We would like to point out that our products can generate high sound pressure, particularly in the 5.1 configuration. As the distortion level is low and user fatigue is minimal, it is not always easy to realise how high the sound pressure actually is. Remember that exposure to high volumes beyond a certain amount of time can lead to irreversible hearing loss.

Warranty terms and conditions

All Focal loudspeakers are covered by warranty drawn up by the official Focal distributor in your country. Your distributor can provide all details concerning the conditions of warranty. Warranty cover extends at least to that granted by the legal warranty in force in the country where the original purchase invoice was issued.

EN

ALPHA EVO

User manual

Quick start guide

1. Before you do anything, check that the loudspeakers and audio source (console, etc.) are in the Off position and that all settings at the back of the loudspeakers are in the 0 position.
2. Connect the audio signal from the source to the loudspeakers, using the XLR, RCA or TRS inputs. You can connect up to three sources to each loudspeaker via the three inputs available. However, the TRS input takes priority over the XLR input. The RCA input is used in addition to the TRS or XLR input. For more information, see page 9.
3. Use the power cable supplied to connect the loudspeaker to the mains.
4. Power on the audio source and check that the output level of the audio source connected to loudspeaker is set to $-\infty$ or a very low level.
5. Switch on the loudspeakers. The loudspeakers are now in "Stand-by" mode.
6. Increase the level of the audio source until the signal is detected by the loudspeakers, so that they automatically switch into "On" mode.



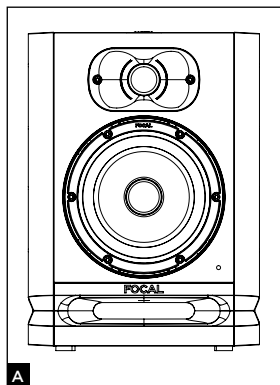
After the loudspeakers are powered on, and after the automatic stand-by mode is enabled (see page 9 for more information on this function), the audio signal detection circuit in the loudspeaker will automatically switch from "Stand-by" mode to "On" mode after a few seconds.

7. Once you have finished your recording, mixing or mastering session, we recommend switching off the equipment in the following order:
 - a. Switch off the loudspeakers
 - b. Switch off the audio sources

ALPHA EVO

User manual

6



ALPHA 50 EVO

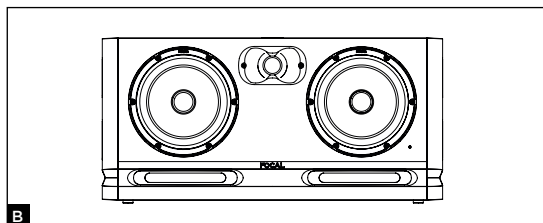
The ALPHA 50 EVO is an active 2-way nearfield professional loudspeaker (2 internal amplifiers), comprising a 5" (13cm) mid-bass speaker driver with Slatefiber cone, fitted with a large-section laminar port and an aluminium inverted dome tweeter (fig. A).

ALPHA 65 EVO

The ALPHA 65 EVO is an active 2-way nearfield professional loudspeaker (2 internal amplifiers), comprising a 6.5" (16.5cm) mid-bass speaker driver with Slatefiber cone, fitted with a large-section laminar port and an aluminium inverted dome tweeter (fig. A).

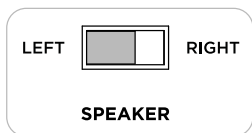
ALPHA 80 EVO

The ALPHA 80 EVO is an active 2-way nearfield professional loudspeaker (2 internal amplifiers), comprising a 8" (20cm) mid-bass speaker driver with Slatefiber cone, fitted with a large-section laminar port and an aluminium inverted dome tweeter (fig. A).

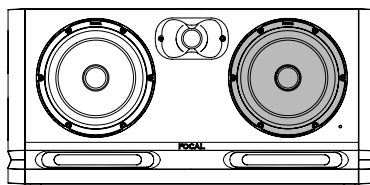


ALPHA TWIN EVO

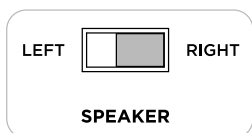
The ALPHA TWIN EVO is an active 2.5-way nearfield professional loudspeaker (3 internal amplifiers), comprising a 6.5" (16.5 cm) mid-bass speaker driver with Slatefiber cone, fitted with two large-section laminar ports and an aluminium inverted dome tweeter (fig. B).



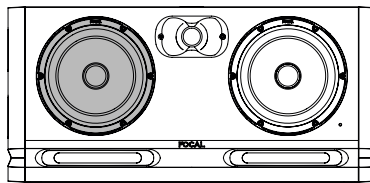
Speaker driver chosen to reproduce the midrange with the switch set to "left speaker"



Midrange



Speaker driver chosen to reproduce the midrange with the switch set to "right speaker"



Midrange

ALPHA EVO

User manual

7

Installation



Mains power

Your products must be earthed using the power cable.



Warning

You can connect up to three sources to each loudspeaker via the three inputs available. The three inputs (XLR, RCA and TRS) are activated simultaneously. To get the maximum benefit out of this feature, we recommend that you power on just one of the three sources to avoid any unwanted sound interference.

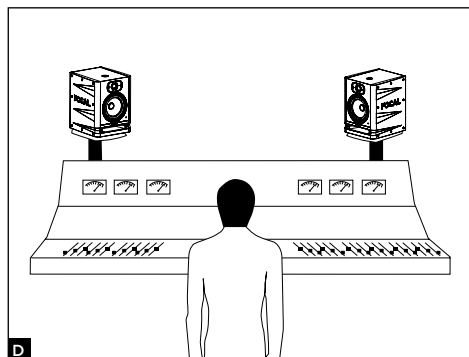
Automatic stand-by

The ALPHA EVO monitors are equipped with a “Stand-by” mode. When you switch on the monitors, the “Stand-by” mode is enabled. To disable it, send an audio signal to the monitor by gradually increasing the volume of the audio source. After around 15 minutes without receiving an audio signal, the monitors automatically switch to “Stand-by” mode. In “Stand-by” mode, the power consumption is lower than 0.5W. This “Stand-by” function can be disabled using the Auto Stand-by switch (page 10).

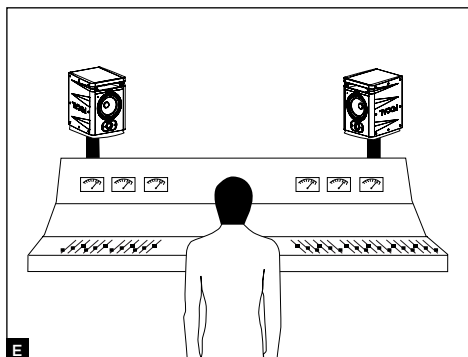
Positioning

The ALPHA EVO loudspeakers are nearfield loudspeakers and must be positioned at a distance between 40cm and 3 metres from the listener, pointing towards him or her. They can be perfectly positioned above a mixing desk or placed on suitable stands, bearing in mind that in all scenarios we strongly recommend locating the tweeter at a relatively similar height to that of the listener's ears. If necessary, you can easily reverse the normal layout of the loudspeakers and position the tweeter at the bottom to bring it closer to the recommended height. The ALPHA EVO loudspeakers must be positioned vertically and pointing towards the listener (**fig. D, E**).

EN



D

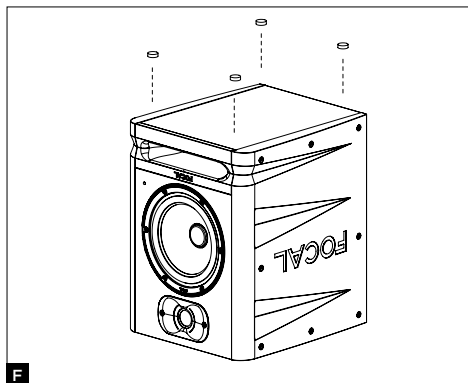


E

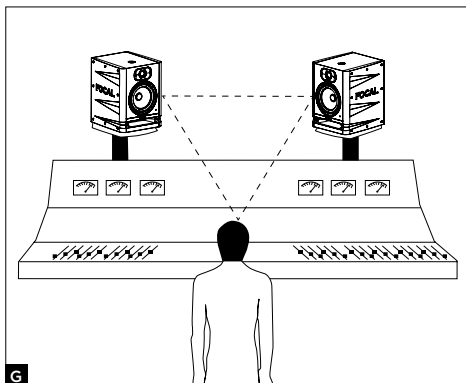
ALPHA EVO

User manual

8

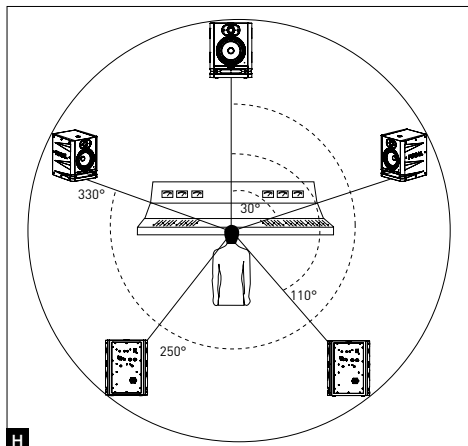


Once the layout is defined, you can use the four rubber feet provided to decouple the loudspeakers from their stand (fig. F). The distance and right/left orientation of each loudspeaker allow you to control the width, centring and overall coherence of the soundstage (left/right/centre), which is at the root of the precision of your recordings.



Stereo positioning

We recommend that you position the loudspeakers so as to achieve an equilateral triangle. The 3 corners are formed by the listening position, the right loudspeaker and the left loudspeaker (fig. G).



Multi-channel positioning

In the case of a 5.1 installation, we recommend you position the loudspeakers in a circle so that they are equidistant from the listening point. The central channel will be positioned at 0°, the front right channel at 30°, the rear right channel at 110°, the rear left channel at 250° and the front left channel at 330° (fig. H).

Running-in

The transducers used in the ALPHA EVO loudspeakers are complex mechanical assemblies that require a running-in period to operate at their best and to become acclimatised to the temperature and humidity conditions of your environment. The length of time this takes can vary depending on the conditions and may extend over several weeks. Avoid listening to the loudspeakers at a high volume for the first few hours. To reduce the process, we recommend operating the different products for about twenty consecutive hours at medium volume, with music that is rich in bass frequencies. Once the transducers' characteristics have stabilised, you will be able to enjoy the full potential of your Focal products.

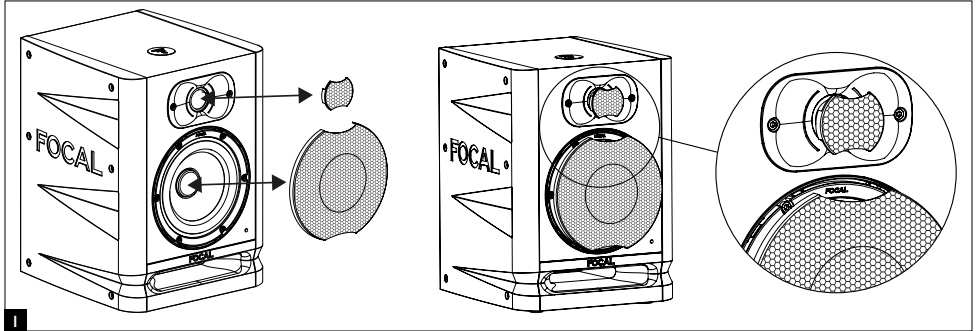
ALPHA EVO

User manual

9

Inserting/removing the grilles

The ALPHA EVO loudspeakers are supplied with one grille for the tweeter and one grille for the woofer. To remove a grille, simply use your fingers to pull on the notches above and below the grille, taking care not to damage the tweeter or woofer. If necessary, use a plastic object to gently pry it off. To insert the grille, line up the grille notches with the dedicated slots and press gently (fig. 1).



ALPHA 50 EVO, ALPHA 65 EVO, ALPHA 80 EVO, ALPHA TWIN EVO settings and connections

1 - BALANCED - XLR

The XLR socket allows you to connect a symmetrical signal source and uses a standard cabling diagram: Pin 1 = earth (shield) Pin 2 = hot point (in-phase signal) Pin 3 = cold point (out-of-phase signal)
The sensitivity of this input is +4dBu, corresponding to the sensitivity of symmetrical sources.

2 - BALANCED - TRS

The TRS socket allows you to connect a symmetrical signal source and uses a standard cabling diagram:
Tip: hot point; Ring: cold point; Sleeve: earth
The sensitivity of this input is +4dBu, corresponding to the sensitivity of symmetrical sources.

3 - UNBALANCED

The RCA socket allows you to connect an asymmetrical signal source. The "cold point" (Pin 3) is usually connected to the earth (Pin 1). This connection is usually made with cables. The sensitivity of this input is -10dBV corresponding to the sensitivity of asymmetrical sources.

4 - SENSITIVITY

Use this function to enjoy a higher volume, if necessary. The sensitivities available are 0 and +6dB. The +6dB position offers the benefit of being able to increase the monitor volume while avoiding any saturation of the output stage of the converter or the sound card.

5 - ON/OFF

Use the ON/OFF switch to turn the internal amplifiers on or off. Switching from the OFF mode to the ON mode has the effect of putting the loudspeaker into "Stand-by" position. To disable the "Stand-by" mode, send an audio signal to the loudspeaker, which will detect it and automatically switch from "Stand-by" mode to "On" mode.

6 - LF SHELIVING

Use the LF SHELIVING knob to activate or deactivate a correction of the sound volume below 300Hz. It is advisable to adjust the LF SHELIVING knob to +2dB if the listening location's acoustics naturally dampen this frequency range. It is advisable to adjust the LF SHELIVING knob to 0 if the listening location is acoustically natural. It is advisable to adjust the LF SHELIVING knob to -2, -4 or -6dB if the loudspeakers are positioned close to a wall or a corner.

ALPHA EVO

User manual

10

7 - HF SHELIVING

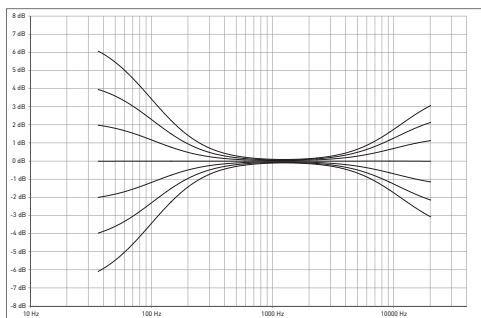
Use the HF SHELIVING knob to activate or deactivate a volume correction from 4.5kHz. It is advisable to adjust it to +2dB if the listening location's acoustics naturally dampen this frequency range (flat environment). It is advisable to adjust it to 0 if the listening location is acoustically neutral. It is advisable to adjust it to -2 or -3dB if the listening location's acoustics naturally increase this frequency range (bright environment).

8 - MAINS SOCKET

Connect the supplied power cable to this socket.

9 - FRONT LED

The LED situated on the front panel is switched off when the loudspeaker is in the OFF position. It lights up when the ON/OFF switch moves from the OFF position to the ON position. Once the audio signal is detected, the loudspeaker switches from "Stand-by" mode to "On" mode and the LED remains illuminated. After around 15 minutes without receiving an audio signal, the loudspeaker automatically switches to "Stand-by" mode and the LED switches off, to avoid any unnecessary energy consumption. The consumption in "Stand-by" mode is lower than 0.5W. To disable this mode, send an audio signal to the loudspeaker. It takes a few seconds for the loudspeakers to switch from "Stand-by" mode to "On" mode.



10 - AUTO STAND BY

The ALPHA EVO monitors are equipped with a "Stand-by" mode, which can be disabled if required. On leaving the factory, the monitor is set to the "ENABLE" position. The stand-by mode is therefore enabled. When you power on the monitors, the "Stand-by" mode is enabled. To exit the "Stand-by" mode, send an audio signal to the monitor by gradually increasing the volume of the audio source. After around 15 minutes without receiving an audio signal, the monitors automatically switch to "Stand-by" mode. In "Stand-by" mode, the power consumption is less than 0.5W.

This automatic stand-by mode can be disabled. To do this, move the switch to the "DISABLE" position. In the "DISABLE" position, the loudspeaker is constantly powered on, as soon as the "ON-OFF" switch is in the "ON" position.

11 - WALL/CEILING MOUNTING

The mounting points allow you to fix the ALPHA EVO monitors to the wall and/or ceiling using the K&M® accessories. The centre-to-centre distance is 70 mm for ALPHA 50, 65 and 80 EVO. Use M6 screws.

Please refer to the diagrams below for any additional information on the mounting inserts. Please refer to the table below for the compatible K&M® products.



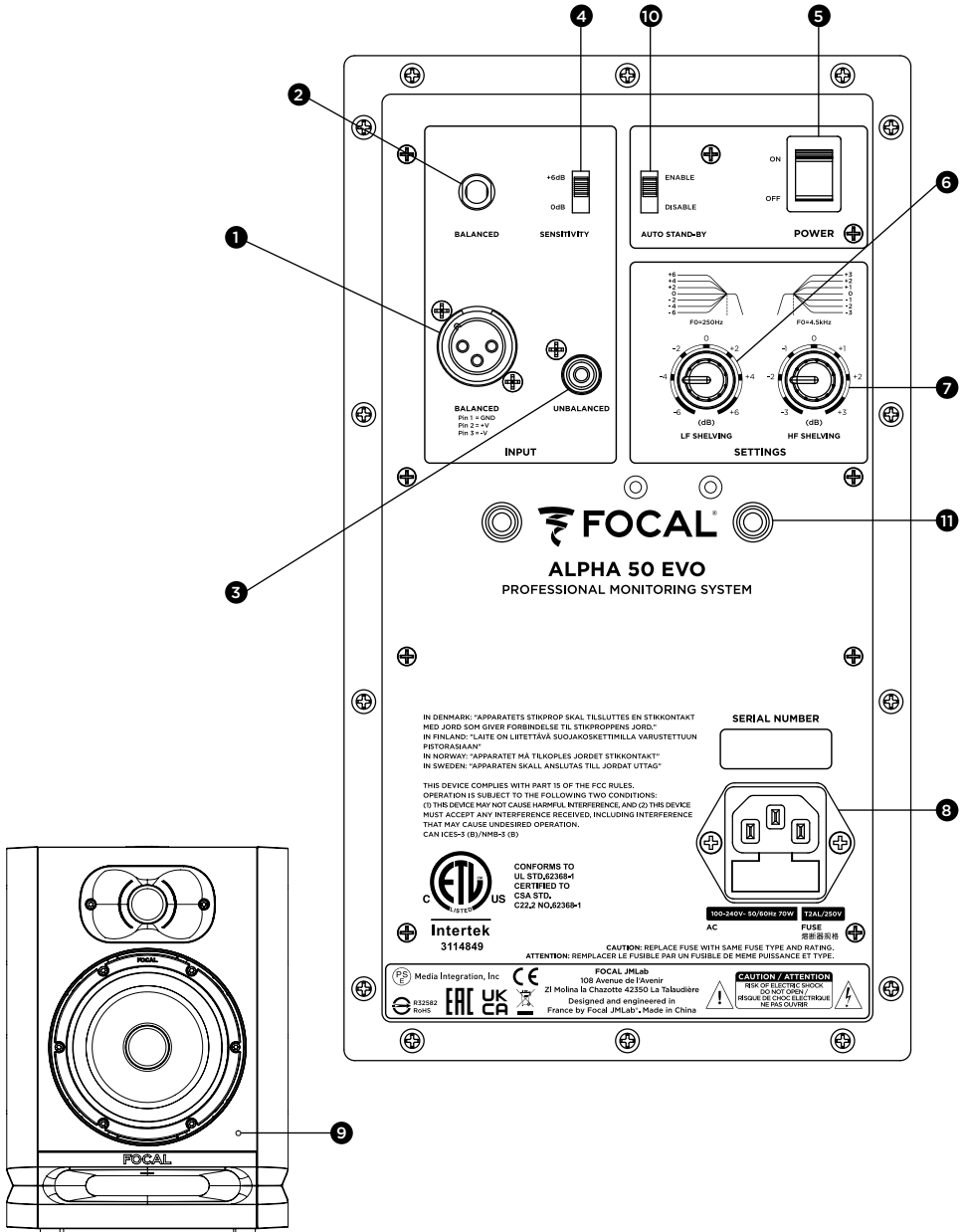
As with any wall or ceiling mounting, installing the monitors can involve risks and the methods of drilling and mounting to walls, ceilings and other surfaces depend on the conditions and standards of construction, refurbishment, safety and cabling in force and applicable to the brackets involved. For this reason, the relevant drilling, mounting and installation operations must be performed by a qualified professional who is familiar with the installation and safety standards.

Focal does not provide any end-of-use warranty for a given bracket or installation, as installing the monitors is the customer's sole responsibility. Focal is therefore not liable in any capacity whatsoever in the event of unhooking, fall, accident and/or any other result or damage of any kind related to the installation of monitors.

	Wall mounting	Ceiling mounting
ALPHA 50 EVO	K&M® 24471 fixing kit + K&M® 24359 adapter	K&M® 24496 fixing kit + K&M® 24359 adapter
ALPHA 65 EVO	K&M® 24471 fixing kit + K&M® 24359 adapter	K&M® 24496 fixing kit + K&M® 24359 adapter
ALPHA 80 EVO	K&M® 24471 fixing kit + K&M® 24359 adapter	K&M® 24496 fixing kit + K&M® 24359 adapter
ALPHA TWIN EVO	K&M® 24167 fixing kit	

ALPHA EVO

User manual



EN

IN DENMARK: "APPARATETS STIKPROP SKAL TILSLUTTES EN STIKKONTAKT MED JORD SOM GIVER FORBENDELSE TIL STIKPROPPENS JORD."
 IN FINLAND: "LAITE ON LIITETTÄVÄ SUOJAKOSKETTIMILLA VARUSTETTUUN PISTORASAAAN."
 IN NORWAY: "APPARATET MÅ TILKOPLES JORDET STIKKONTAKT."
 IN SWEDEN: "APPARATEN SKALL ANSLUTAS TILL JORDAT UTTAGO"

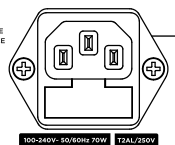
THIS DEVICE COMPLIES WITH PART 15 OF THE FCC RULES. OPERATION IS SUBJECT TO THE FOLLOWING TWO CONDITIONS: (1) THIS DEVICE MAY NOT CAUSE HARMFUL INTERFERENCE, AND (2) THIS DEVICE MUST ACCEPT ANY INTERFERENCE RECEIVED, INCLUDING INTERFERENCE THAT MAY CAUSE UNDESIRABLE OPERATION. CAN ICES-3 (B)/NMB-3 (B)

CONFORMS TO UL STD 82084-1 CERTIFIED TO CSA STD. C22.2 NO. 22365-1

Intertek 3114849

SERIAL NUMBER

[Empty box for serial number]



100-240V-50/60Hz 70W T5AL/250V FUSE AC

CAUTION: REPLACE FUSE WITH SAME FUSE TYPE AND RATING. ATTENTION: REMPLACER LE FUSIBLE PAR UN FUSIBLE DE MEME PUISSANCE ET TYPE.

Media Integration, Inc. CE ENEC
 Focal JMLab 108 Avenue de l'Avenir 21 Mellis la Chapelle 42350 La Tallaudière
 0232582 RoHS UK CA
 Designed and engineered in France by Focal JMLab, Made in China

CAUTION / ATTENTION
 FUSE / FUSIBLE
 DO NOT OPEN / NE PAS OUVRIRE

ALPHA EVO

User manual

12

System	ALPHA 50 EVO	ALPHA 65 EVO	ALPHA 80 EVO	ALPHA TWIN EVO
• Frequency response (+/- 3dB)	45Hz - 22kHz	40Hz - 22kHz	38Hz - 22kHz	38Hz - 22kHz
• Maximum SPL	101dB SPL (peak @ 1m)	104dB SPL (peak @ 1m)	106dB SPL (peak @ 1m)	108dB SPL (peak @ 1m)

Electronic section

• Inputs				
- Type / Impedance	TRS: symmetrical 10kOhms			
- Connectors	XLR: symmetrical 10kOhms RCA: asymmetrical 10kOhms with compensated sensitivity			
• Medium and low frequency amplifier	35W	55W	80W	50W
• High frequency amplifier	25W	30W	35W	30W
• Automatic stand-by mode				
- Stand-by	After around 15 minutes of no use			
- Stand-by disabled	By signal detection >6mV			
• Power supply				
- Voltages	100-240V- (T2AL fuse/250V)			
THE VOLTAGE CANNOT BE MODIFIED				
- Connection	IEC socket and detachable power cable			
• Settings				
- Sensitivity	Adjustable, 0 or +6dB			
- Level midrange/ bass (0-250Hz)	Adjustable, +/-6dB			
- Treble level (4.5-35kHz)	Adjustable, +/-3dB			
- Power on/off	On/off switch on the rear panel			
• Stand-by consumption	<0.5W			
• Views and controls	On and off LED - Stand-by LED			

Transducers

• Woofer	5" (13cm) Slatefiber cone	6.5" (16.5cm) Slatefiber cone	8" (20cm) Slatefiber cone	6.5" (16.5cm) Slatefiber cone
• Tweeter	25mm (1") with aluminium inverted dome			

Cabinet

• Construction	0.6" (15mm) MDF			
• Finish	Black vinyl and paint			
• Dimensions with 4 rubber feet (HxWxD)	12.2x9x9.41" (310x228x239mm)	13.35x10.28x11.38" (339x261x289mm)	15.35x11.65x13" (390x296x330mm)	10.24x21.65x11.41" (260x550x290mm)
• Weight	13.1lbs (5.95kg)	16.8lbs (7.6kg)	21.6lbs (9.8kg)	26.9lbs (12.2kg)

ПРОЧЕСТЬ В ПЕРВУЮ ОЧЕРЕДЬ! ВАЖНЫЕ ИНСТРУКЦИИ ПО ТЕХНИКЕ БЕЗОПАСНОСТИ!

	<div style="border: 2px solid black; padding: 5px; background-color: #333; color: white; font-weight: bold; font-size: 1.2em;">CAUTION</div> <div style="border: 1px solid black; padding: 5px; background-color: white; font-weight: bold; font-size: 0.8em;">RISK OF ELECTRIC SHOCK DO NOT OPEN</div>	
<p>Символ молнии внутри равностороннего треугольника предупреждает пользователя о том, что устройство находится под высоким напряжением и является источником опасности поражения электрическим током.</p>	<p>Опасность: во избежание поражения электрическим током не снимайте крышку корпуса (или заднюю панель) данного устройства. Внутри устройства отсутствуют детали, требующие обслуживания пользователем. Любые работы по техническому обслуживанию или ремонту должны выполняться квалифицированным специалистом.</p>	<p>Символ восклицательного знака внутри равностороннего треугольника предупреждает пользователя о наличии в руководстве по эксплуатации важных инструкций по использованию и техническому обслуживанию устройства.</p>
<div style="display: flex; flex-direction: column; gap: 10px;">                    </div> <ol style="list-style-type: none"> 1. Ознакомьтесь с данными инструкциями. 2. Сохраните данные инструкции. 3. Учитывайте все предупреждения. 4. Соблюдайте все инструкции. 5. Не используйте устройство вблизи воды. 6. Для очистки устройства используйте только сухую ткань. 7. Не перекрывайте вентиляционные отверстия. При монтаже устройства соблюдайте указания производителя. 8. Запрещается устанавливать устройство вблизи источников тепла, например радиаторов, обогревателей, кухонной плиты или других устройств (в том числе усилителей), выделяющих тепло. 9. Полиэризованная сетевая вилка предназначена для обеспечения безопасности и снабжена двумя контактами, один из которых шире другого. Если используемая сетевая вилка не подходит к вашей розетке, обратитесь к квалифицированному электрику для замены розетки. 10. Берегите сетевой шнур, не наступайте на него и не допускайте его защемления, особенно в местах подключения к устройству или сети питания и на участках, прилегающих к сетевой вилке. 11. Используйте только те детали и аксессуары, которые были рекомендованы производителем. 12. Используйте только те транспортировочные приспособления, подставки, штативы, кронштейны или столы, которые были рекомендованы производителем или входили в комплект поставки устройства. При перемещении тележки с установленным на ней устройством соблюдайте особую осторожность во избежание травм при опрокидывании. 13. Отключите устройство от сети во время грозы или в случае если оно не используется в течение продолжительного периода времени. 14. Любые работы по техническому обслуживанию должны выполняться квалифицированным персоналом. Техническое обслуживание необходимо в случае любых повреждений устройства, например при повреждении кабеля или сетевой вилки, при попадании жидкости или посторонних предметов внутрь устройства, при нахождении устройства под дождем или в условиях повышенной влажности, в случае нарушения рабочих параметров или падения устройства. 	<div style="display: flex; flex-direction: column; gap: 10px;">            </div> <ol style="list-style-type: none"> 15. Данное изделие относится к устройствам класса 1. Подключение устройства к сети допускается исключительно с помощью вилки с заземлением, входящей в комплект поставки. Устройство должно подключаться к сетевой розетке с защитным заземлением. 16. В случае если для отключения устройства используется переключатель On/Off (Вкл./Выкл.), сетевая вилка или адаптер, следует обеспечить к ним свободный доступ пользователя. 17. ОПАСНОСТЬ: во избежание риска возгорания или поражения электрическим током не подвергайте устройство воздействию воды, дождя или повышенной влажности. Не допускайте попадания на устройство капель или брызг воды и не устанавливайте на его поверхность никаких емкостей, наполненных жидкостью, например цветочных ваз. 18. Не перекрывайте вентиляционные отверстия. 19. Запрещается вставлять посторонние предметы в вентиляционные отверстия устройства. Это может привести к контакту постороннего предмета и деталей под высоким напряжением или вызвать короткое замыкание, став причиной возгорания или поражения электрическим током. Не допускайте попадания жидкости на устройство. 20. Не пытайтесь чинить устройство самостоятельно. Самостоятельно вскрытие корпуса устройства связано с риском воздействия высокого напряжения и другими рисками. По всем вопросам технического обслуживания обращайтесь к квалифицированным специалистам. 21. Температура окружающей среды при использовании устройства не должна превышать 45°C (113°F). 22. Данное устройство не предназначено для использования в тропическом климате. 23. Не используйте устройство на высоте свыше 2000 м над уровнем моря (6500 футов). 24. Не перегружайте штепсельные розетки, удлинители или розеточные блоки, так как это может привести к возгоранию или поражению электрическим током. 25. Настенный или потолочный монтаж устройства допускается только в том случае, если это разрешено производителем. 	<div style="display: flex; flex-direction: column; gap: 10px;">            </div> <ol style="list-style-type: none"> 26. Если при транспортировке устройства происходит перепад температур (от холодной к теплой), до подключения устройства к сети убедитесь в отсутствии конденсата. 27. Запрещается помещать на устройство источник открытого огня, например свечи. 28. Данное устройство должно подключаться только к тому источнику питания, тип которого указан на этикетке. При возникновении сомнений относительно типа источника питания, соответствующего параметрам вашего электроприбора, обратитесь в предприятие розничной торговли, в котором было приобретено устройство, или к поставщику электроэнергии. Информация об устройствах, в которых в качестве источника питания используется аккумуляторная батарея или иные источники тока, приведена в руководстве по эксплуатации. 29. Для обеспечения надлежащей вентиляции обязательно оставляйте зазор не менее 5 см (2") по периметру устройства. 30. В случае необходимости замены деталей убедитесь, что специалист по техническому обслуживанию использует разрешенные производителем детали или детали с идентичными характеристиками. Использование несоответствующих деталей может привести к возгоранию, поражению электрическим током и стать причиной воздействия других рисков. 31. По завершении каждого обслуживания или ремонта устройства следует убедиться, чтобы специалист по техническому обслуживанию провел проверку безопасности. 32. Во избежание повреждения органов слуха не следует использовать акустическую систему с установленным высоким уровнем громкости в течение длительного времени. Использование акустической системы на высоком уровне громкости может привести к повреждению органов слуха и вызвать различные нарушения слуха (временную или постоянную глухоту, шум в ушах, звон в ушах, гиперacusis). Чрезмерное воздействие шума на органы слуха (уровень звука выше 85 дБ), длящаяся более одного часа, может привести к необратимому нарушению слуха.

Для подтверждения гарантии Focal-JMLab,
еперь продукт можно зарегистрировать на сайте www.focal.com/warranty



Благодарим вас за покупку изделия Focal. Надеемся, что вы по достоинству оцените применимые нами технологии высокой точности. Мы ценим новаторство, традиции и превосходное качество и стремимся к тому, чтобы вы получили удовольствие от прослушивания. Наша единственная цель — добиться чистоты, достоверности и красоты звучания. Для того чтобы в полной мере использовать все характеристики изделия, внимательно ознакомьтесь с настоящими инструкциями и сохраните их для использования в будущем.

Комплектация

В комплект поставки акустической системы входят следующие компоненты (помимо настоящей инструкции по эксплуатации):

- **1 шнур питания**
- **1 защитная сетка для ВЧ-динамика (для прослушивания рекомендуется как можно скорее ее снять);**
- **1 защитная сетка для НЧ-динамика (для прослушивания рекомендуется как можно скорее ее снять);**
- **4 резиновые ножки.**

Избежание повреждения деталей устройства во время извлечения из упаковки соблюдайте следующий порядок: полностью откройте крышку картонной коробки. Сложите крышку, прижав ее к наружной стороне коробки. Снимите внешнюю защитную упаковку. Осторожно извлеките громкоговоритель. Убедитесь, что на упаковке отсутствуют признаки повреждения. Если упаковка повреждена, сообщите об этом перевозчику и поставщику. Важно сохранить упаковку для использования в будущем.

Рекомендации

Обращаем ваше внимание на то, что изделие может быть источником высокого звукового давления, особенно в конфигурации 5.1. В силу низкого уровня искажений и минимальной усталости пользователя действительное звуковое давление не всегда можно оценить адекватно. Помните, что длительное воздействие громкого звука может привести к необратимой потере слуха.

Условия гарантии

На все мониторы Focal распространяется действие гарантии, оформленной официальным дистрибьютором компании Focal в вашей стране. Подробная информация, касающаяся условий гарантии, предоставляется дистрибьютором. Минимальный гарантийный срок соответствует сроку действующих правовых гарантий в стране, в которой оформлен оригинальный счет за приобретенные товары.

Быстрый запуск

1. Прежде чем приступить к каким-либо действиям с акустической системой, убедитесь в том, что громкоговорители и источники звука (консоль и т. д.) выключены и все переключатели, расположенные на задней панели громкоговорителей, установлены на 0.
2. Подключите источник аудиосигнала к акустической системе с помощью входов XLR, RCA или TRS. Возможно подключение до трех источников на каждый громкоговоритель через три имеющихся входа. Следует отметить, что разъем TRS имеет приоритет перед разъемом XLR. Разъем RCA используется в сочетании с разъемами TRS и XLR. См. подробную информацию на стр. 19.
3. Для подключения громкоговорителей к электросети используйте шнур питания, включенный в комплект поставки.
4. Включите источник звука и убедитесь в том, что уровень выходного сигнала источника звука, подключенного к акустической системе, установлен на $-\infty$ или на самую низкую величину.
5. Подключите акустическую систему к сети питания. Теперь акустическая система находится в режиме ожидания.
6. Повышайте мощность источника звука до его распознавания акустической системой, которая автоматически переключится в рабочий режим.



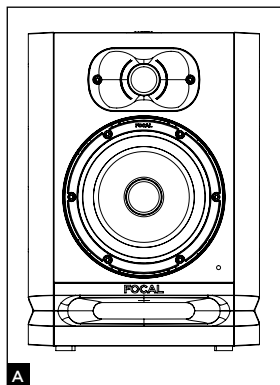
В течение нескольких секунд после подключения акустической системы к сети питания и автоматического включения режима ожидания детектор аудиосигнала акустической системы автоматически переключит систему из режима ожидания в рабочий режим (см. подробное описание этой функции на стр. 19).

7. По завершении записи, сведения или мастеринга рекомендуем отключить аппаратуру в следующем порядке:
 - a. отключить акустическую систему;
 - b. отключить источники звука.

ALPHA™ EVO

Руководство по эксплуатации

16



ALPHA 50 EVO

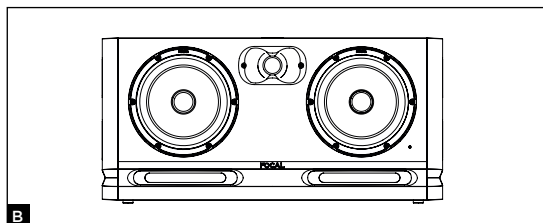
Акустическая система ALPHA 50 EVO — это профессиональный двухполосный монитор ближнего поля с двумя встроенными усилителями, состоящий из басового/среднечастотного 13-сантиметрового (5-дюймового) динамика с мембраной Slatefiber, помещенного в большой слоистый порт, и ВЧ-динамика с вогнутым куполом из алюминиевого сплава (рис. А).

ALPHA 65 EVO

Акустическая система ALPHA 65 EVO — это профессиональный двухполосный монитор ближнего поля с двумя встроенными усилителями, состоящий из басового/среднечастотного 16,5-сантиметрового (6,5-дюймового) динамика с мембраной Slatefiber, помещенного в большой слоистый порт, и ВЧ-динамика с вогнутым куполом из алюминиевого сплава (рис. А).

ALPHA 80 EVO

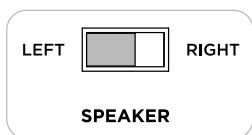
Акустическая система ALPHA 80 EVO — это профессиональный двухполосный монитор ближнего поля с двумя встроенными усилителями, состоящий из басового/среднечастотного 20-сантиметрового (8-дюймового) динамика с мембраной Slatefiber, помещенного в большой слоистый порт, и ВЧ-динамика с вогнутым куполом из алюминиевого сплава (рис. А).



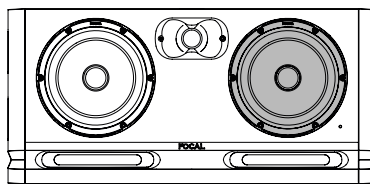
ALPHA TWIN EVO

Акустическая система ALPHA TWIN EVO — это профессиональный двухполосный монитор ближнего поля с двумя встроенными усилителями, состоящий из басового/среднечастотного 16,5-сантиметрового (6,5-дюймового) динамика с мембраной Slatefiber, помещенного в большой слоистый порт, и ВЧ-динамика с вогнутым куполом из алюминиевого сплава (рис. В).

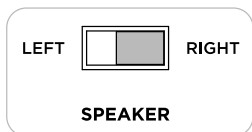
RU



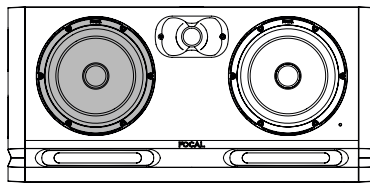
Speaker driver chosen to reproduce the midrange with the switch set to "left speaker"



Midrange



Speaker driver chosen to reproduce the midrange with the switch set to "right speaker"



Midrange

C

Монтаж



Шнур электропитания

Устройства должны быть в обязательном порядке заземлены с помощью шнура питания.



Внимание

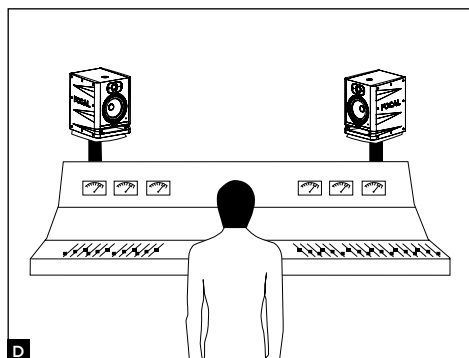
Возможно подключение до трех источников на каждый громкоговоритель через три имеющихся входа. Три входа (XLR, RCA и TRS) активны одновременно. Для того чтобы в полной мере воспользоваться всеми функциональными возможностями устройства и избежать нежелательного шумового загрязнения, рекомендуем подключать к сети один из трех источников.

Автоматическое включение режима ожидания

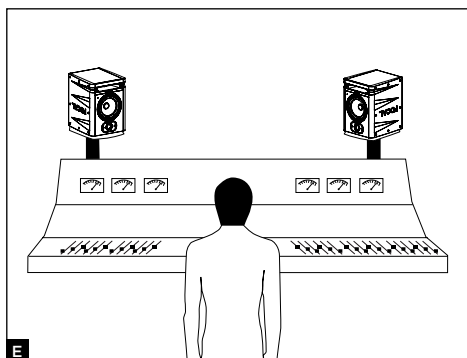
В мониторах ALPHA EVO предусмотрено автоматическое включение режима ожидания. При включении монитора режим ожидания активирован. Для выхода из режима ожидания подайте аудиосигнал на монитор и постепенно увеличивайте мощность звука. При отсутствии звукового сигнала в течение 15 мин режим ожидания включается автоматически. В режиме ожидания устройство потребляет не более 0,5 Вт электроэнергии. Автоматический режим ожидания отключается при помощи переключателя Auto Stand-by (стр. 20).

Размещение акустической системы

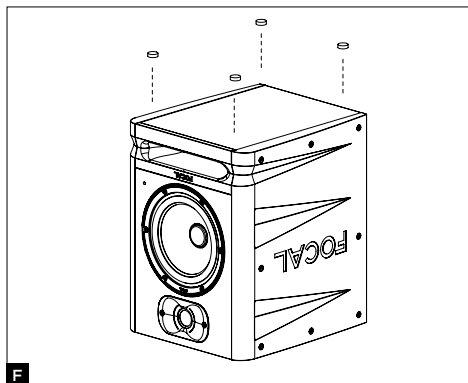
Акустическая система ALPHA EVO представляет собой монитор ближнего звукового поля и должна устанавливаться на расстоянии 0,4–3 м от слушателя в положении, развернутом в направлении слушателя. Допускается установка системы на микшерную консоль или на приспособленную для этих целей стойку; при этом необходимо учитывать, что твиттер рекомендуется размещать приблизительно на уровне органов слуха. При необходимости вы можете изменить стандартное расположение громкоговорителей, разместив твиттер снизу, для того чтобы он находился на уровне органов слуха. Акустические системы ALPHA EVO должны быть расположены вертикально и развернуты в сторону слушателя (рис. D, E).



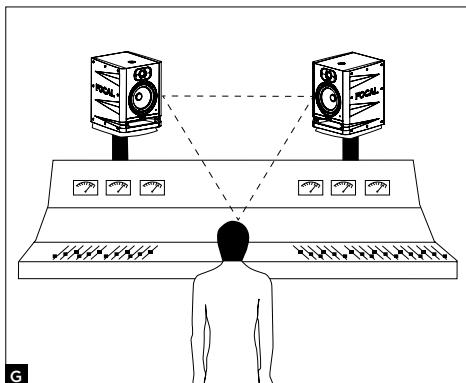
D



E

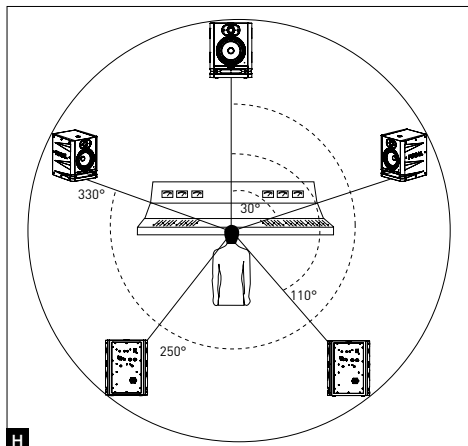


Разместив компоненты акустической системы, прикрепите 4 резиновые ножки к громкоговорителям, для того чтобы изолировать их от опорной поверхности (рис. F). Расположение в пространстве и левая/правая ориентация каждого из громкоговорителей позволяют контролировать широту, центрирование и общую связность звуковой сцены (левую/центральную/правую), что непосредственно влияет на точность ваших записей.



Размещение стереофонической акустической системы

Громкоговорители рекомендуется располагать таким образом, чтобы получить равносторонний треугольник, тремя вершинами которого должны быть зона прослушивания, правый громкоговоритель и левый громкоговоритель (рис. G).



Размещение многоканальной акустической системы

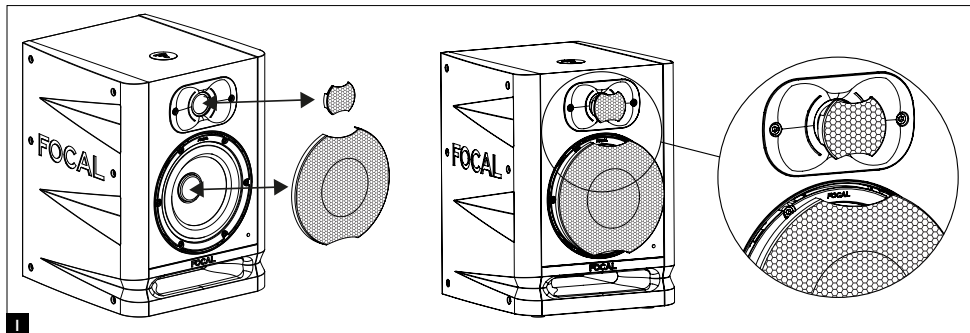
При использовании конфигурации 5.1 мы рекомендуем установить громкоговорители по периметру круга на одинаковом расстоянии от зоны прослушивания. Центральный канал следует установить под углом 0°, фронтальный – под углом 30°, задний – под углом 110°, задний левый – под углом 250° и задний правый – под углом 330° (рис. H).

Период приработки

Звуковые преобразователи, используемые в акустической системе ALPHA EVO, представляют собой сложные механические устройства, оптимальные характеристики работы которых достигаются по истечении периода адаптации к температуре и влажности окружающей среды. Длительность периода приработки зависит от ряда условий и может составлять несколько недель. В течение нескольких первых часов эксплуатации не рекомендуется повышать громкость звука. В целях ускорения процесса приработки рекомендуется непрерывно эксплуатировать устройство на протяжении ок. 20 часов при среднем уровне громкости, воспроизводя музыкальные мелодии, богатые низкими частотами. После полной стабилизации характеристик звуковых преобразователей изделие Focal будет демонстрировать оптимальные рабочие параметры.

Установка/снятие защитных сеток

В комплект поставки акустической системы ALPHA EVO входят защитные сетки для ВЧ- и НЧ-динамика. Для снятия сетки достаточно аккуратно потянуть сетку, взявшись за пазы вверху и внизу, стараясь не повредить ВЧ- или НЧ-динамик. При необходимости воспользуйтесь пластиковым предметом в качестве рычага. Для того чтобы установить сетку, вставьте выступы в соответствующие пазы и аккуратно надавите на сетку (рис. 1).



Настройки и подключение акустических систем ALPHA 50 EVO, ALPHA 65 EVO, ALPHA 80 EVO, ALPHA TWIN EVO

1 — БАЛАНСНЫЙ СИГНАЛ — разъем XLR

Разъем XLR используется для подключения балансного оборудования по стандартной схеме: Контакт 1 = земля (корпус) Контакт 2 = сигнал плюс (прямой) Контакт 3 = сигнал минус (инвертированный)

Чувствительность разъема составляет +4 дБмкВ, что соответствует чувствительности балансных источников.

2 — БАЛАНСНЫЙ СИГНАЛ — TRS

Разъем TRS используется для подключения балансного оборудования по стандартной схеме: Tip (наконечник): сигнал плюс Ring (кольцо): сигнал минус Sleeve (гильза): земля (корпус)

Чувствительность разъема составляет +4 дБмкВ, что соответствует чувствительности балансных источников.

3 — НЕБАЛАНСНЫЙ СИГНАЛ

Разъем RCA используется для подключения одного источника небалансного сигнала. Как правило, сигнал минус (контакт 3) подключается на экран кабеля (контакт 1). Обычно это подключение выполняется на уровне кабеля. Чувствительность этого разъема составляет -10 дБВ, что соответствует чувствительности небалансных источников.

4 — ЧУВСТВИТЕЛЬНОСТЬ

Эта функция позволяет при необходимости повысить уровень звукового давления. Диапазон чувствительности составляет от 0 до +6 дБ. Чувствительность на уровне +6 дБ позволяет усилить звук монитора, избегая перегрузки выходного каскада преобразователя или звуковой карты.

5 — ON/OFF (ВКЛ./ВЫКЛ.)

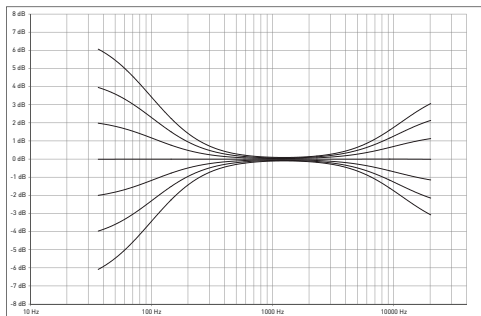
Переключатель ON/OFF (ВКЛ./ВЫКЛ.) используется для включения и выключения встроенных усилителей. При переходе из положения «ВЫКЛ.» в положение «ВКЛ.» происходит включение режима ожидания громкоговорителя. Для отключения режима ожидания необходимо подать аудиосигнал на громкоговоритель. При обнаружении аудиосигнала громкоговоритель автоматически переходит из режима ожидания в рабочий режим.

6 — Регулятор низких частот LF SHELIVING

Регулятор низких частот LF SHELIVING позволяет активировать и деактивировать коррекцию громкости звука в диапазоне до 300 Гц. Рекомендуется устанавливать регулятор LF SHELIVING на +2 дБ, в случае если акустические характеристики помещения приглушают этот диапазон частот. Рекомендуется устанавливать регулятор LF SHELIVING на 0 в случае, если помещение обладает нейтральными акустическими характеристиками. Рекомендуется устанавливать регулятор LF SHELIVING на -2, -4 или -6 дБ, в случае если громкоговорители установлены вблизи стены или в углу.

7 — Регулятор высоких частот HF SHELIVING

Регулятор высоких частот HF SHELIVING позволяет активировать и деактивировать коррекцию насыщенности частот в диапазоне от 4,5 кГц. Рекомендуется устанавливать регулятор высоких частот на +2 дБ, в случае если акустические характеристики помещения приглушают этот диапазон частот (высокий уровень поглощения звука). Рекомендуется устанавливать регулятор на 0, в случае если помещение обладает нейтральными акустическими характеристиками. Рекомендуется устанавливать регулятор на -2 или -3 дБ, в случае если акустические характеристики помещения усиливают этот диапазон частот (высокий уровень отражения звука).



8 — СЕТЕВАЯ ВИЛКА

Подключите к этому разъему включенный в комплект поставки шнур питания.

9 — СВЕТОДИОДНЫЙ ИНДИКАТОР НА ПЕРЕДНЕЙ ПАНЕЛИ

Расположенный на передней панели светодиодный индикатор выключен, если переключатель громкоговорителя находится в положении «ВЫКЛ.». При включении громкоговорителя при помощи переключателя «ВКЛ./ВЫКЛ.» светодиодный индикатор загорается зеленым светом. При обнаружении аудиосигнала громкоговоритель переходит из режима ожидания в рабочий режим, светодиодный индикатор продолжает гореть. Если аудиосигнал отсутствует в течение ок. 15 мин, громкоговоритель автоматически переключается в режим ожидания, светодиодный индикатор гаснет. Переключение в режим ожидания предназначено для предотвращения излишнего потребления электроэнергии. Потребление электроэнергии в режиме ожидания составляет менее 0,5 Вт. Для отключения режима ожидания следует подать аудиосигнал на громкоговоритель. Длительность перехода из режима ожидания в рабочий режим составляет несколько секунд.

10 — АВТОМАТИЧЕСКОЕ ВКЛЮЧЕНИЕ РЕЖИМА ОЖИДАНИЯ

В мониторах ALPHA EVO предусмотрена функция автоматического включения режима ожидания, которую при желании можно отключить. Производителем установлен режим ENABLE («РАЗРЕШИТЬ»). Это означает, что режим ожидания активирован. При включении монитора режим ожидания активирован. Для выхода из режима ожидания следует подать аудиосигнал на монитор и постепенно увеличивать мощность звука. При отсутствии звукового сигнала в течение 15 мин монитор автоматически переходит в режим ожидания. В режиме ожидания устройство потребляет не более 0,5 Вт электроэнергии.

Автоматическое включение режима ожидания может быть деактивировано. Для этого установите переключатель в положение DISABLE («ЗАПРЕТИТЬ»). В положении DISABLE («ЗАПРЕТИТЬ») устройство постоянно находится под напряжением, если переключатель ON-OFF (ВКЛ./ВЫКЛ.) находится в положении ON (ВКЛ.).

11 — НАСТЕННЫЙ И ПОТОЛОЧНЫЙ МОНТАЖ

Система крепежа мониторов ALPHA EVO в сочетании с аксессуарами K&M® допускает настенный и (или) потолочный монтаж. Межосевое расстояние в акустических системах ALPHA 50, 65, 80 EVO составляет 70 мм. Для крепления используйте винты М6.

Дополнительная информация о опорных штифтах приведена на схемах ниже. Сведения о совместимых крепежных приспособлениях K&M® приведены в таблице ниже.

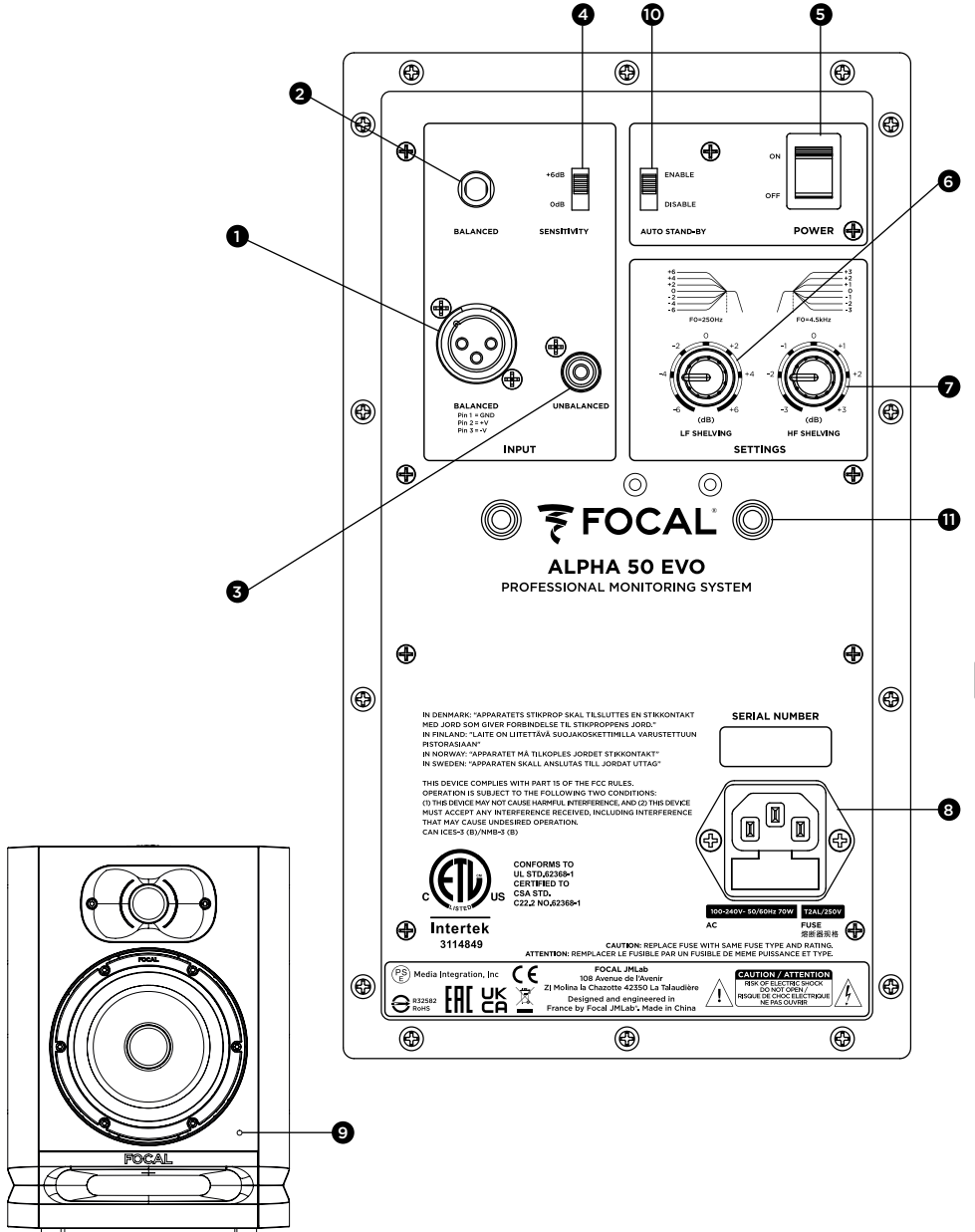


Как и любые работы по настенному и потолочному монтажу, установка мониторов связана с определенными рисками, а методы сверления стен, потолков и прочих поверхностей, как и методы крепления оборудования должны соответствовать строительным правилам и нормам, а также действующим в отношении соответствующих поверхностей стандартам проектирования, безопасности и прокладки электрической проводки. По этой причине работы по сверлению поверхностей, креплению и монтажу должны выполняться квалифицированным специалистом с соблюдением норм монтажа и техники безопасности. Focal не предоставляет гарантий относительно пригодности несущей поверхности или соответствия выбранного типа монтажа вашим целям. Клиент самостоятельно несет ответственность за монтаж мониторов. В этой связи Focal не несет никакой ответственности в случае открепления, падения, несчастного случая и любых других последствий и ущерба любого рода, связанных с монтажом мониторов.

	Настенный монтаж	Потолочный
ALPHA 50 EVO	набор для крепления K&M® 24471 + адаптер K&M® 24359	набор для крепления K&M® 24496 + адаптер K&M® 24359
ALPHA 65 EVO	набор для крепления K&M® 24471 + адаптер K&M® 24359	набор для крепления K&M® 24496 + адаптер K&M® 24359
ALPHA 80 EVO	набор для крепления K&M® 24471 + адаптер K&M® 24359	набор для крепления K&M® 24496 + адаптер K&M® 24359
ALPHA TWIN EVO	набор для крепления K&M® 24167	

ALPHA™ EVO

Руководство по эксплуатации



RU

ALPHA™ EVO

Руководство по эксплуатации

22

Система	ALPHA 50 EVO	ALPHA 65 EVO	ALPHA 80 EVO	ALPHA TWIN EVO
• Частотный диапазон (+/- 3 дБ)	45 Гц — 22 кГц	40 Гц – 22 кГц	38 Гц – 22 кГц	38 Гц – 22 кГц
• Максимальный уровень звукового давления (SPL)	101 дБ SPL (пиковое значение на расстоянии 1 м)	104 дБ SPL (пиковое значение на расстоянии 1 м)	106 дБ SPL (пиковое значение на расстоянии 1 м)	108 дБ SPL (пиковое значение на расстоянии 1 м)

Электроника

• Входы				
- Тип / импеданс	TRS: симметричный, 10 кОм			
- Разъемы	XLR: симметричный, 10 кОм RCA: асимметричный, 10 кОм с компенсированной чувствительностью			
• Усилитель средних и низких частот	35 Вт	55 Вт	80 Вт	50 Вт
• Усилитель высоких частот	25 Вт	30 Вт	35 Вт	30 Вт
• Автоматическое включение режима ожидания				
- Включение режима ожидания	Через ок. 30 мин покоя			
- Отключение режима ожидания	При обнаружении сигнала > 6 мВ			
• Электропитание				
- Напряжение	100-240V- (T2AL fuse/250V)			
- Подключение	Штекер IEC и съемный сетевой кабель			
• Настройки				
- Чувствительность Средние/низкие (0-250 Гц)	Регулируется, 0 или +6 дБ			
- Высокие (4,5-35 кГц)	Регулируются, +/-6 дБ			
- Питание в режиме «ВКЛ.» / «ВЫКЛ.»	Регулируются, +/- 3 дБ Выключатель «ВКЛ.» / «ВЫКЛ.» на задней панели			
• Энергопотребление в режиме ожидания	< 0,5 W			
• Средства визуализации и контроля	Светодиод, указывающий на наличие/отсутствие электропитания/режим ожидания			

Звуковые преобразователи

• НЧ-динамик	13 см (5") Мембрана Slatefiber	16,5 см (6,5") Мембрана Slatefiber	20 см (8") Мембрана Slatefiber	16,5 см (6,5") Мембрана Slatefiber
• ВЧ-динамик	25 мм (1") с вогнутым куполом из алюминиевого сплава			

Корпус

• Конструкция	ДВП 15 мм (0,6")			
• Отделка	Винил и черная краска			
• Габаритные размеры с четырьмя резиновыми ножками (ВхДхШ)	310 x 228 x 239 мм (12,2 x 9 x 9,41")	339 x 261 x 289 мм (13,35 x 10,28 x 11,38")	390 x 296 x 330 мм (15,35 x 11,65 x 13")	260 x 550 x 290 мм (10,24 x 21,65 x 11,41")
• Вес	5,95 кг (13,1 фунта)	7,6 кг (16,8 фунта)	9,8 кг (21,6 фунта)	12,2 кг (26,9 фунта)

请先阅读本文！ 重要安全说明！

	<div style="border: 2px solid black; padding: 5px; text-align: center;"> <p>CAUTION</p> <p>RISK OF ELECTRIC SHOCK DO NOT OPEN</p> </div>	
<p>带有等边三角形的闪电标志警告用户该设备具有高压，可能导致触电危险。</p>	<p>警告：为避免触电危险，请勿从设备上卸下外壳（或后盖）。此设备中不包含用户可自行维修的部件。如需进行维护或修理，请联系有资质的专业人士。</p>	<p>带有等边三角形的闪电标志警告用户该手册中包含有关如何使用和保养设备的重要说明。</p>
<div style="display: flex;"> <div style="flex: 1;">             </div> <div style="flex: 2; padding-left: 10px;"> <ol style="list-style-type: none"> 1. 请仔细阅读这些说明。 2. 请妥善保管这些说明。 3. 请注意所有警告。 4. 请谨慎遵循所有说明。 5. 请勿在水边使用本设备。 6. 仅可使用干布进行清洁。 7. 请勿阻塞任何通风口。请按照制造商的说明进行安装。 8. 请勿将其安装在任何热源附近，例如散热器、热风机、炉灶或其它发热设备（包括放大器）。 9. 请勿破坏极性插头的安全性。极化插头带有一宽一窄的两个叶片。宽叶片的作用是保障安全。如果附带的插头与您的电源插座不匹配，请咨询电工以更换掉旧式的电源插头。 10. 请保护电源线免遭踩踏或挤压，尤其是在插头、插座以及从设备中引出的位置。 11. 仅使用制造商指定的附件/配件。 12. 只可使用制造商指定的、或者产品附带的推车、立架、三脚架、托架或台面。如果使用推车，当移动推车/设备整体时要注意避免其倾斜造成受伤。 13. 雷雨天或长时间不使用时，请拔下本设备的电源。 14. 将所有维护工作交由有资质的维护人员进行。当设备出现任何损坏时，如电源线或插头损坏、液体洒入或物体落入设备、设备淋雨或受潮、运行不正常或跌落之后，需要进行维修保养。 </div> </div>	<div style="display: flex;"> <div style="flex: 1;">                </div> <div style="flex: 2; padding-left: 10px;"> <ol style="list-style-type: none"> 15. 本产品属于1类设备。仅使用随附的电源插头（带有接地线）连接设备。设备必须连接到带有接地的电源插座中。 16. 当使用电源开关或连接到本产品的电源插头或适配器作为断开设备时，必须使该设备处于易接近、可操作的状态。 17. 警告：为减少火灾和触电危险，请勿使本设备接触水、雨水或湿气。请勿将本设备暴露于滴水或洒水的地方，且不得在设备上方放置装有液体的物体（例如花瓶）。 18. 请勿阻塞通风口。 19. 请勿将任何物体插入设备的通风孔。它们可能会接触高压组件，或导致短路并引起火灾或触电。请勿将液体洒在设备上。 20. 请勿尝试自行维修本设备。打开设备可能使您面临危险电压或其他危险。请联系有资质的专业人士进行所有维护工作。 21. 设备应在45摄氏度（113°F）以下温度环境中使用。 22. 请勿在45°C以上的环境下使用。 23. 请勿在海拔2,000米（6,500英尺）以上地区使用本设备。 24. 请勿过载使用墙壁插座、延长线或多插口接线板，这会导致起火或触电。 25. 除非制造商另有规定，否则不得将设备安装在墙壁或天花板上。 </div> </div>	<div style="display: flex;"> <div style="flex: 1;">                </div> <div style="flex: 2; padding-left: 10px;"> <ol style="list-style-type: none"> 26. 如果将设备从寒冷环境移动到温暖环境，请确保其未发生冷凝现象再连接电源线。 27. 请勿在设备顶部放置明火，如点燃的蜡烛。 28. 只可将设备连接到设备标签上标明的电源类型。如无方法确定您的主电源类型，请咨询零售商或电力供应商。对于使用电池或其它类型电源的设备，请参见用户手册。 29. 始终在产品周围留出至少5厘米（2英寸）的空隙，以确保合理通风。 30. 当需要更换部件时，请确保维修技师使用制造商推荐的部件，或与原设备拥有相同技术参数的部件。使用不符合要求的部件可能导致火灾、触电或其他风险。 31. 对设备进行任何维护或修理工作后，请维护技术人员进行测试，以检查其是否安全可靠。 32. 为了避免损伤听力，请勿长时间在大音量下使用音箱。大音量使用音箱可对用户的耳朵造成损害，并可能导致听力问题（暂时性或永久性耳聋、耳鸣、听力减退）。暴露在过大音量（85分贝以上）超过一小时会对听力造成不可修复的损害。 </div> </div>

请于10天内寄回随附的产品质保书，使Focal-Jmlab质保生效。
您现在可以在线注册产品：www.focal.com/warranty



感谢您购买Focal产品。欢迎步入我们的高保真天地。创新、传统、卓越和愉悦是我们的价值观；我们全力以赴地为您提供纯粹、保真且丰富的声音。为充分发挥产品的性能，建议您阅读本手册中的指引，并妥善保存以备日后参考。

包装清单

音箱包装箱中附带以下部件（除本手册外）：

- 电源线1根
- 高音扬声器保护格栅（建议聆听时尽可能将其取下）1个
- 低音扬声器保护格栅（建议聆听时尽可能将其取下）1个
- 橡胶脚钉4枚

确认所有部件均无缺失，并从纸箱中取出所有附件。为避免在拆箱过程中损坏产品，请按照以下步骤进行：将包装箱的上盖完全打开，并折向两边。取出上方的防护。小心地取出音箱。确认包装箱未出现任何损坏迹象。如有损坏，请告知承运人和供应商。将包装保存完好以备日后使用尤为重要。

建议

我们郑重声明：您所购买的产品可产生较高的声压，尤其是在5.1模式下。由于失真程度低，用户疲劳程度极小，因此未必能够始终实现实际声压。敬请牢记，暴露于高音环境超过特定时长可对听力造成不可逆的损伤。

质保条款

如有疑问，请联系您的Focal经销商。

在法国购买的任何Focal产品享受自购买之日起2年的质保期，质保期不因转售而延续。如产品存在缺陷，您需使用原包装自费将其寄送至经销商处，由经销商对产品进行检测并排查故障原因。如果在质保范围内，产品将更换并返还给您。反之，我们将为您出具维修费用明细。

不当使用或错误连接（如移动线圈烧毁等）导致的损坏不在质保范围内。

在法国以外的地区，Focal-Jmlab产品所享受的质保条款由各自国家的Focal官方授权经销商根据当地现行法律制定。

感谢您选择Focal音箱，一起分享我们的“倾听超越”理念。这些高科技音箱采用Focal最新设计理念，为您提供高保真的家庭影院体验。为充分发挥其性能，建议您阅读本手册中的指引，并小心保存以备日后参考。

HZ

部件名称	有毒有害物质或元素					
	铅	汞	镉	六价铬	多溴联苯	多溴二苯醚
电线组件	X	O	O	O	O	O
塑膠零件	O	O	O	O	O	O
电子部品类	X	O	O	O	O	O
金属部品	O	O	O	O	O	O
揚聲器	X	O	O	O	O	O

本表格依据 SJ/T 11364 的规定编制。
O: 表示该有害物质在该部件所有均质材料中的含量均在GB/T 26572规定的限量要求以下。
X: 表示该有害物质至少在该部件的某一均质材料中的含量超出GB/T 26572规定的限量要求。



本产品仅适用于海拔2000米以下地区使用

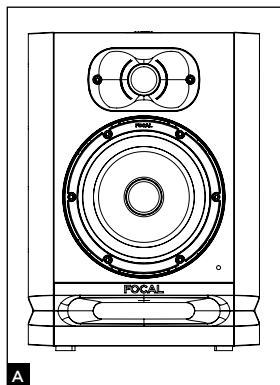
快速入门

1. 执行任何操作之前，请确认音箱和音频源（控制台等）处于关闭状态，且音箱背面所有设置均位于0位置。
2. 使用XLR、RCA或TRS输入将音源的音频信号与音箱进行连接。音箱可以使用三组输入，最多连接三个输入源。但是，TRS输入的优先级高于XLR输入。RCA输入可与TRS输入或XLR输入结合。如需更多信息，请参见第29页。
3. 请使用附带的电源线将音箱连接到电源。
4. 打开音源的电源并确认将连接到音箱的音频源的输出电平设置为 $-\infty$ 或最小值。
5. 打开音箱电源。音箱现在处于“待机”模式。
6. 增大音频源的电平，直到音箱检测到信号并自动切换至“运行”模式。



音箱电源打开后，自动待机模式将自动启动（此功能详见第29页），几秒钟后，音箱的音频源信号检测电路会自动从“待机”模式切换到“运行”模式。

7. 录音、混合或母带处理结束后，建议您按照以下顺序关闭各设备：
 - a. 关闭音箱
 - b. 关闭音频源



ALPHA 50 EVO

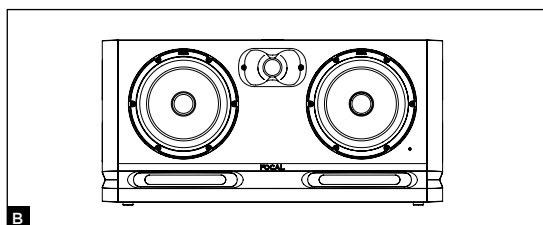
ALPHA 50 EVO 音箱是一款2路有源（2组内置放大器）近距监听专业音箱，由大截面通风口的5英寸（13厘米）Slatefiber振膜低音/中音扬声器和铝制倒圆顶高音扬声器组成（图A）。

ALPHA 65 EVO

ALPHA 65 EVO 音箱是一款2路有源（2组内置放大器）近距监听专业音箱，由大截面通风口的6.5英寸（16.5厘米）Slatefiber振膜低音/中音扬声器和铝制倒圆顶高音扬声器组成（图A）。

ALPHA 80 EVO

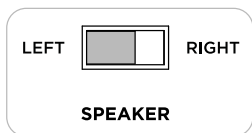
ALPHA 80 EVO 音箱是一款2路有源（2组内置放大器）近距监听专业音箱，由大截面通风口的8英寸（20厘米）Slatefiber振膜低音/中音扬声器和铝制倒圆顶高音扬声器组成（图A）。



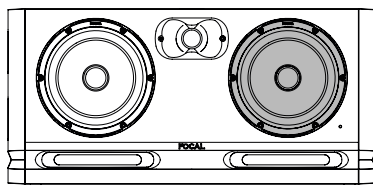
ALPHA TWIN EVO

ALPHA TWIN EVO 音箱是一款2.5路有源（3组内置放大器）近距监听专业音箱，由大截面通风口的6.5英寸（16.5厘米）Slatefiber振膜低音/中音扬声器和铝制倒圆顶高音扬声器组成（图B）。

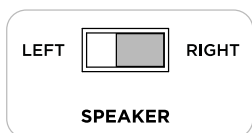
HZ



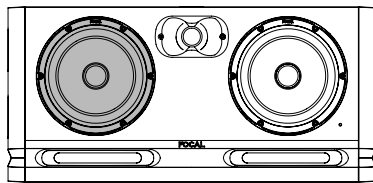
Speaker driver chosen to reproduce the midrange with the switch set to "left speaker"



Midrange



Speaker driver chosen to reproduce the midrange with the switch set to "right speaker"



Midrange

C

安装



交流电源
本产品必须使用接地的交流电源。



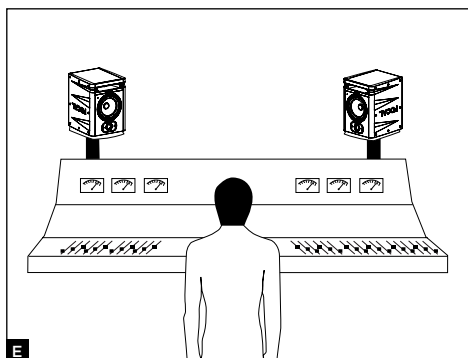
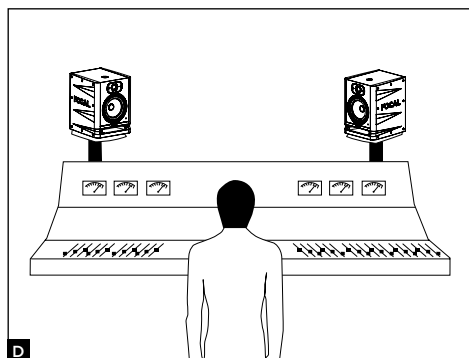
注意
音箱可以使用三组输入，最多连接三个输入源。三组输入（XLR、RCA和TRS）同时处于启用状态。为充分利用此功能，建议您只开启三个音频源中的一个，以避免不必要的噪音污染。

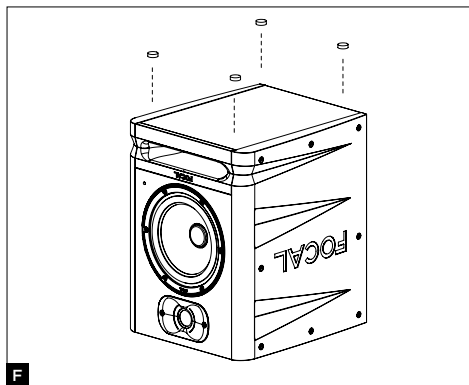
自动待机

ALPHA EVO监听器配有“待机”模式。开启监听器时，“待机”模式开启。要关闭待机模式，请将音频信号发送到监听器并逐渐增加音频源的音量。如超过15分钟未接收到音频源信号，监听器将自动切换至“待机”模式。“待机”模式的功耗小于0.5W。您可以使用自动待机开关（第30页）禁用“待机”功能。

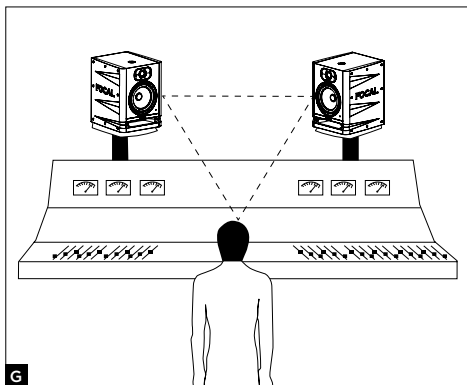
定位

ALPHA EVO音箱是近距监听音箱，应朝向听音者，摆放在与其距离40厘米至3米之间。您完全可以将音箱摆放在调音台顶部或者合适的支架上；无论如何，强烈建议高扬声器的高度要对应听音者耳朵的高度。如有必要，您完全可以将音箱倒置，使高扬声器位于下方，以便满足上述规则。ALPHA EVO音箱应当垂直并且朝向听音者摆放（图D、E）。

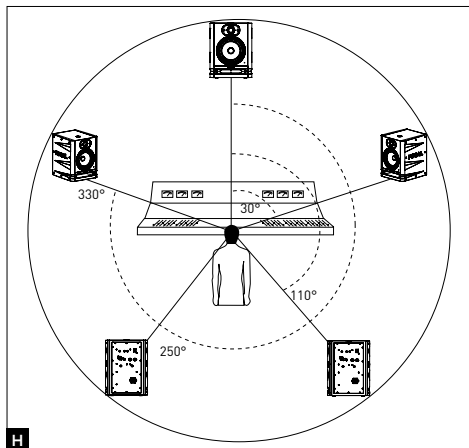




确定布局后，请使用4枚橡胶脚钉将音箱与支架分开（图F）。您可以通过每组扬声器的间距和左右方向控制声音场景的宽度、均衡和整体协调（左/中/右），取决于您的录音精确度。



立体声定位
建议将音箱呈等边三角形摆放。3个角分别为聆听位置、右扬声器和左扬声器（图G）。



多通道定位

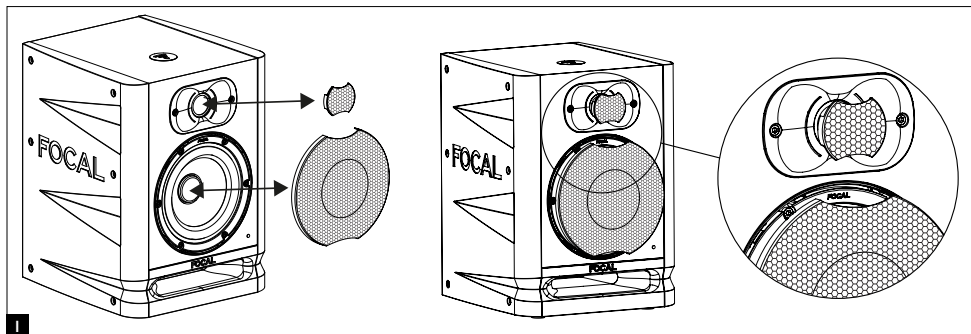
针对5.1声道安装，建议将音箱呈圆形摆放，从而使每组扬声器到听音位置的距离相等。中心声道位于 0° ，右前声道位于 30° ，右后声道位于 110° ，左后声道位于 250° ，左前声道位于 330° （图H）。

磨合

ALPHA EVO音箱采用的变频器是复杂的机械组件，需要经过一定磨合期才能发挥最佳性能并适应环境的温度和湿度条件。根据所处环境的差异，磨合期长短也不同，最长将持续数周时间。最初的几个小时内，避免使音箱在高音量水平运行。为加速磨合过程，建议您采用低频密集的音乐，以中等音量让本产品运行二十小时左右。当Focal变频器的性能稳定之后，您可以充分享受其卓越性能。

插入/拆下格栅

ALPHA EVO音箱附带高音扬声器保护格栅和低音扬声器保护格栅。拆卸格栅时，只需用手指拉动格栅顶部和底部的凹槽，注意不要损坏高音扬声器或低音扬声器。必要时可使用塑料物件轻轻撬动。要插入格栅，请将格栅的槽口放在专用孔位前并逐一按下（图1）。



1 ALPHA 50 EVO, ALPHA 65 EVO, ALPHA 80 EVO, ALPHA TWIN EVO, 1的设置与连接

1 - 均衡 - XLR

XLR端口可连接对称信号源，并使用标准接线方案：引脚1 = 接地（屏蔽） 引脚2 = 热点（相位信号） 引脚3 = 冷点（非相位信号）
该输入具有对称源敏感度+4dBu的灵敏度。

2 - 均衡 - TRS

TRS端口可连接对称信号源，并使用标准接线方案：提示：热点（端）环：冷点（环）套：接地（主体）
该输入具有对称源敏感度+4dBu的灵敏度。

3 - 均衡

RCA端口可连接非对称信号源。通常将“冷点”（引脚3）进行接地（引脚1）。该连接通常借助线缆进行。该输入具有对应于不对称源敏感度的-10dbv的灵敏度。

4 - 灵敏度

必要情况下，该功能可为您提供更高的音量。可用灵敏度为0和+6 dB。+6dB位置的优点是能够提高监听器的音量，同时避免转换器或声卡出现任何输出阶段饱和。

5 - ON/OFF开关

ON/OFF开关可打开或关闭内置放大器的电源从“OFF关机”模式切换到“ON开机”模式时，音箱处于“待机”状态。要关闭“待机”模式，可向音箱发送音频信号，音箱检测到该信号后将自动从“待机”模式切换至“运行”模式。

6 - 低频滤波器

低频滤波电位器可启用或禁用低于300Hz的声级校正。当监听室的声学效果自然衰减至该频率范围时，建议将低频滤波电位器设置为+2dB。当监听室处于中性声学状态时，建议将低频滤波电位器设置为0。当音箱靠近墙壁或角落摆放时，建议将低频滤波电位器设置为-2、-4或-6dB。

7 - 高频滤波器

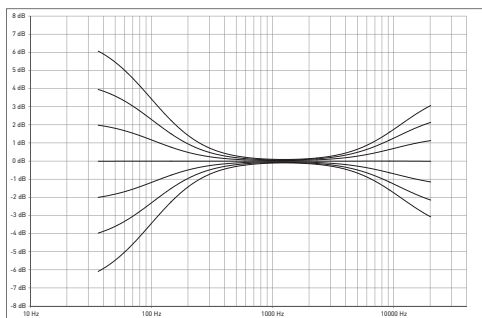
高频滤波电位器可启用或禁用高于4.5kHz的声级校正。当监听室的声学效果自然衰减至该频率范围时（沉闷环境），建议将高频滤波电位器设置为+2dB。当监听室处于中性声学状态时，建议将高频滤波电位器设置为0。当监听室的声学效果自然提升至该频率范围时（开阔环境），建议将高频滤波电位器设置为-2dB或-3dB。

8 - 电源插孔

将附带的电源线连接至此插孔。

9 - 前面板LED

当音箱处于关闭状态时，前面板上的LED灯熄灭。当ON/OFF开关从“OFF关机”切换到“ON开机”时，LED灯亮起。当检测到音频信号时，音箱从“待机”模式切换至“运行”模式，LED保持亮起。如超过15分钟未接收到音频源信号，监听器将自动切换至“待机”模式，并且LED熄灭，以减少不必要的耗电。“待机”模式的功耗小于0.5W。要关闭“待机”模式，可向音箱发送音频信号即可。从“待机”模式切换至“开启”模式需要几秒钟时间。



10 - 自动待机

ALPHA EVO监听器“待机”模式，可根据需要将其禁用。出厂时，其默认设置为“启用”。待机模式已启用。开启监听器时，“待机”模式启用。要退出“待机”模式，请将音频信号发送到监听器并逐渐增加音频源的音量。如超过15分钟未接收到音频源信号，监听器将自动切换至“待机”模式。“待机”模式的功耗小于0.5W。

此自动待机模式可以禁用。要将其禁用，只需将开关设定至“DISABLE（禁用）”位置。这时，将“ON-OFF”开关调整至“ON开机”位置，音箱会一直通电运行。

11 - 墙壁式和/或吸顶式安装

安装位置应符合将ALPHA EVO监听器通过K&M®配件固定到墙壁和/或顶棚的条件。ALPHA 50, 65, 80 EVO的孔距为70毫米。请使用M6型螺丝。

请参考下图，了解更多关于紧固件的信息。请参考下表获取兼容的K&M®编号。



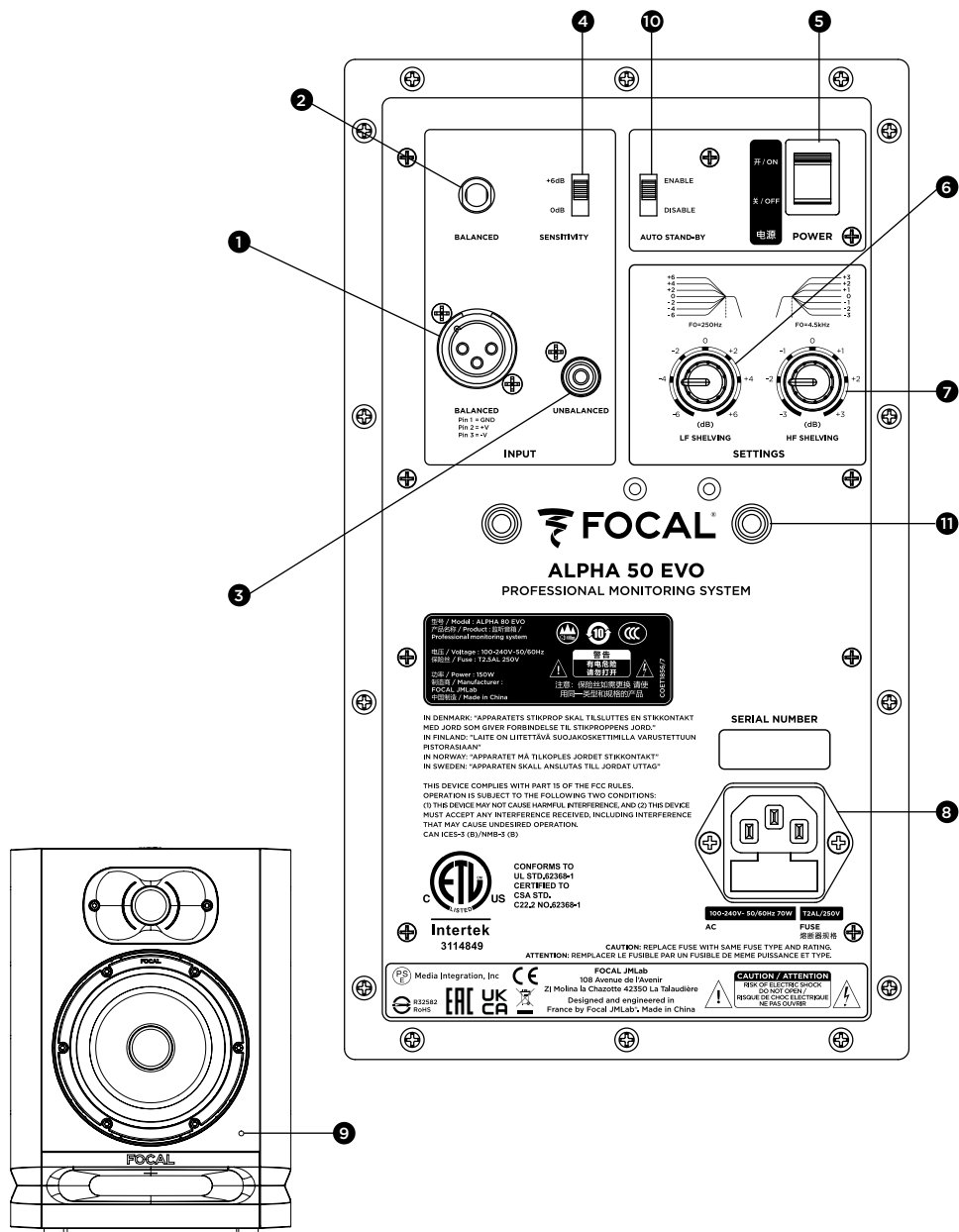
与任何壁挂式或吸顶式附件操作一样，监听器的安装具有潜在风险，墙壁、天花板或其他表面的钻孔和安装应遵循适用于相关介质的施工、布局、安全和布线的条件和标准。因此，相应的钻孔、固定和安装操作必须由了解安装和安全规范的合格专业人员进行。

Focal不对特定的支架、安装位置或安装方式提供任何保证，监听器的安装实施由客户自行负责。因此，对于因安装监听器而引起的任何性质的脱落、坠落、事故和/或任何后果或损坏，Focal概不负责。

	壁挂式安装	吸顶式安装
ALPHA 50 EVO	固定套件 K&M® 24471 + 适配器 K&M® 24359	固定套件 K&M® 24496 + 适配器 K&M® 24359
ALPHA 65 EVO	固定套件 K&M® 24471 + 适配器 K&M® 24359	固定套件 K&M® 24496 + 适配器 K&M® 24359
ALPHA 80 EVO	固定套件 K&M® 24471 + 适配器 K&M® 24359	固定套件 K&M® 24496 + 适配器 K&M® 24359
ALPHA TWIN EVO	固定套件 K&M® 24167	

ALPHA™ EVO

安装手册



ALPHA™ EVO

安装手册

32

系统	ALPHA 50 EVO	ALPHA 65 EVO	ALPHA 80 EVO	ALPHA TWIN EVO
• 响应频率 (+/- 3dB)	45 Hz - 22 kHz	40 Hz - 22 kHz	38 Hz - 22 kHz	38 Hz - 22 kHz
• 最大SPL级	101 dB SPL (pic @ 1 m)	104 dB SPL (pic @ 1 m)	106 dB SPL (pic @ 1 m)	108 dB SPL (pic @ 1 m)

电子部件

• 输入 - 类型/阻抗 - 连接端口	TRS: 10k欧姆 对称 XLR: 10k欧姆 对称 RCA: 10k欧姆 非对称, 带灵敏度补偿			
• 中低频放大器	35 W	55 W	80 W	50 W
• 高频放大器	25 W	30 W	35 W	50 W 30 W
• 自动待机模式 - 待机 - 关闭待机	超过15分钟未使用 监测>6 mV的信号			
• 电源 - 电压	100-240V- (T2AL fuse/250V)			
- 连接	IEC端口和可拆卸电源线			
• 设置 - 灵敏度 - 中/低电平 (0-250 Hz) - 高电平 (4.5-35 kHz) - 运行/关机	可调节, 0或+6 dB 可调节, +/-6 dB 可调节, +/-3 dB 开关位于后面板			
• 待机功耗	< 0.5 W			
• 用户控制	电源开关LED指示灯 - 待机LED指示灯			

传感器

• 低音扬声器	13厘米 (5英寸) Slatefiber振膜	16.5厘米 (6.5英寸) Slatefiber振膜	20厘米 (8英寸) Slatefiber振膜	16.5厘米 (6.5英寸) Slatefiber振膜
• 高音单元	25毫米 (1英寸) 铝制倒圆顶			

箱体

• 构造	0.6英寸 (15毫米) 中密度纤维板			
• 表面	乙烯基和黑色油漆			
• 含4枚橡胶脚钉的尺寸 (高度x长度x宽度)	310x228x239毫米 (12.2x9x9.41英寸)	339x261x289毫米 (13.35x10.28x11.38英寸)	390x296x330毫米 (15.35x11.65x13英寸)	260x550x290毫米 (10.24x21.65x11.41英寸)
• 重量	595公斤 (131磅)	7.6公斤 (16.8磅)	9.8公斤 (21.6磅)	12.2公斤 (26.9磅)

사용에 앞서 먼저 읽어보십시오!

중요한 안전 지침!

	<div style="background-color: black; color: white; padding: 5px; border: 1px solid black;"> <p>CAUTION</p> <p>RISK OF ELECTRIC SHOCK</p> <p>DO NOT OPEN</p> </div>	
<p>등변 삼각형 안의 번개 표시는 장치에 감전을 일으킬 수 있는 고전압이 흐른다는 것을 사용자에게 경고합니다.</p>	<p>경고: 감전 위험을 예방하기 위해, 장치로부터 커버 (또는 뒷면)를 제거하지 마십시오. 이 장치에는 사용자가 정비할 수 있는 부품이 없습니다. 유지보수나 수리를 위해서는 자격 전문가에게 문의하십시오.</p>	<p>등변 삼각형 내 느낌표는 설명서에 장치를 사용하고 관리하는 방법에 대한 중요한 지침이 있음을 알려줍니다.</p>
<div style="display: flex; flex-direction: column; align-items: center;">               </div> <ol style="list-style-type: none"> 1. 이 지침을 읽으십시오. 2. 이 지침을 보관하십시오. 3. 모든 경고에 주의하십시오. 4. 모든 지침을 준수하십시오. 5. 물 가까운 곳에서 이 장치를 사용하지 마십시오. 6. 청소시 마른 천만 사용하십시오. 7. 통풍구를 막지 마십시오. 제조자 지침에 따라 설치하십시오. 8. 라디에이터, 열 조절장치, 난로 또는 열을 발생시키는 기타 장치(엘프 포함)와 같은 열원 근처에 설치하지 마십시오. 9. 전극형 플러그의 안전 목적에 맞게 사용하십시오. 극성 플러그에는 한 쪽이 다른 쪽보다 더 넓은 2개의 날이 있습니다. 넓은 날은 안전을 위한 것입니다. 제곱된 플러그가 콘센트에 맞지 않으면 전기 기술자에게 연락하여 오래된 콘센트를 교체하십시오. 10. 전원 코드가 밟히거나 끼이지 않도록 보호하되, 특히 플러그, 콘센트, 그리고 장치에서 전원 코드가 빠져나오는 지점에 주의하십시오. 11. 제조업체가 지정한 어태치먼트/액세서리만을 사용합니다. 12. 제조업체가 지정하거나 장치와 함께 판매되는 카드, 스탠드, 삼발이, 브래킷 또는 테이블만 함께 사용하십시오. 카드를 사용하는 경우, 카드에 담긴 장치를 움직일 때 튀어오르지 않도록 주의하십시오. 13. 번개가 치고 있거나 장기간 사용하지 않는 동안에는 이 장치의 플러그를 뽑아두십시오. 14. 모든 정비는 유자격 정비사만이 실시할 수 있습니다. 장치가 어떤 방식(전원 코드나 플러그가 손상됨, 액체가 누출되거나 장치에 물체가 떨어짐, 장치가 비나 습기에 노출됨, 정상적으로 작동하지 않음, 장치를 떨어뜨림 등)으로든 손상된 경우, 정비가 필요합니다. 	<div style="display: flex; flex-direction: column; align-items: center;">                  </div> <ol style="list-style-type: none"> 15. 이 제품은 등급 1에 속한 장치입니다. 접지 연결부가 있는 제곱된 주전원 플러그를 이용하여 장치 전원을 연결하십시오. 이 장치는 접지된 주전원 소켓에 연결해야 합니다. 16. 전원(On/Off) 스위치나 주전원 플러그, 또는 제품에 연결된 어댑터를 분리 장치로 이용하는 경우, 이 장치는 언제든지 절근할 수 있는 상태로 유지되어야 합니다. 17. 경고: 화재나 감전 위험을 줄이기 위해, 장치를 물, 비 또는 습기에 노출하지 마십시오. 또한 장치는 떨어지거나 튀는 물에 노출되어서는 안 되며, 꽃병과 같이 액체로 채워진 물체를 장치 위에 놓아서는 안 됩니다. 18. 통풍구를 막지 마십시오. 19. 장치의 통풍구에는 어떤 물체도 삽입해서는 안 됩니다. 이런 물체가 고압 구성품에 접촉하거나 단락시킴으로써 화재나 감전을 초래할 수 있습니다. 장치에 액체를 흘리지 마십시오. 20. 이 장치를 직접 수리하지 마십시오. 장치를 열면 유해 전압이나 기타 위험에 노출될 수 있습니다. 모든 유지관리 작업은 유자격 전문가에게 문의하십시오. 21. 이 장비는 최대 45도의 주변온도에서 사용해야 합니다. 22. 최대 기후에서 장치를 사용하지 마십시오. 23. 이 장치를 2,000m 이상의 고도에서 사용하지 마십시오. 24. 벽체 콘센트, 연장 리드선 또는 여러 개의 콘센트에 과부하를 주지 마십시오. 화재나 감전이 발생할 수 있습니다. 25. 이 장치는 제조업체가 명시하지 않은 한, 벽체나 천장에 설치해서는 안 됩니다. 	<div style="display: flex; flex-direction: column; align-items: center;">                  </div> <ol style="list-style-type: none"> 26. 추운 환경에서 더운 환경으로 제품을 운반한 경우, 전원 코드를 연결하기 전에 응결이 발생하지 않았는지 확인하십시오. 27. 촛불과 같은 개방된 화염원을 이 장치 위에 두어서는 안 됩니다. 28. 이 제품은 장치의 라벨에 표시된 주전력 전원 유형에 연결해야 합니다. 전원공급장치가 어떤 종류인지 잘 모르는 경우, 판매자 또는 전기 공급회사에 문의하십시오. 배터리나 기타 전원을 이용하여 사용하도록 되어 있는 장치의 경우는 사용자설명서를 참조하십시오. 29. 통풍이 잘 이루어지도록 제품 주변에는 최소 5cm의 유격을 두십시오. 30. 교체 구성품이 필요한 경우 유지관리 기술자가 제조업체 권장 구성품 또는 원래 제품과 동일한 기술적 특성을 가진 구성품을 사용하도록 하십시오. 비규격 구성품을 이용할 경우 화재, 감전 또는 기타 위험이 발생할 수 있습니다. 31. 장치에 대해 유지관리 또는 수리 작업을 수행한 후에는, 유지관리 기술자에게 제품이 안전하게 작동하는지 검사해줄 것을 요청하십시오. 32. 청력 손상을 피하기 위해 장시간 높은 음량을 라우드스피커를 듣지 마십시오. 높은 음량은 스피커의 소리를 들을 경우 사용자의 청력을 손상하여 청력 문제(일시적 명암함, 귀속이 울림, 이명, 청각과민)를 야기할 수 있습니다. 과도한 음량(85dB 초과)에 한 시간 이상 노출되면 회복 불가능한 청력 손상이 발생할 수 있습니다.

Focal-JMlab의 개런티 유효화를 위해,
이제 웹사이트에서 제품의 온라인 저장 등록도 가능합니다 : www.focal.com/warranty



Focal 제품을 구입해주셔서 감사합니다. Focal이 제공하는 하이파이의 세계에 오신 것을 환영합니다. 혁신과 전통, 탁월성과 기쁨이 저희의 가치입니다. 저희의 유일한 목적은 순수하고 충실하며 풍부한 사운드를 제공하는 것입니다. 제품의 모든 성능을 활용할 수 있도록 본 책자의 지침을 읽고 나중에 참고할 수 있도록 잘 보관해 두실 것을 권장합니다.

패키지 구성

스피커 1개에는 다음과 같은 구성품(본 설명서 외)이 함께 제공됩니다:

- 전선 1개
- 트위터용 보호 그릴 1개 (이 그릴은 즉시 청취를 위해 가능한 빨리 제거하는 것이 좋습니다).
- 우퍼용 보호 그릴 1개 (이 그릴은 즉시 청취를 위해 가능한 빨리 제거하는 것이 좋습니다).
- 고무발 4개

빠진 품목이 없는지 확인하고, 모든 액세서리를 상자에서 꺼냅니다. 포장을 푸는 동안 제품이 손상되지 않도록 다음 단계를 준수하십시오: 상자 날개를 완전히 엽니다. 측면으로 접습니다. 위쪽 보호장치를 제거합니다. 주의해서 스피커를 제거합니다. 포장에 훼손 징후가 보이는지 확인하십시오. 포장이 손상된 경우에는 운송업체 및 제공업체에 알려십시오. 나중에 사용해야 할 수 있으므로, 포장을 양호한 상태로 보관하는 것이 중요합니다.

권장사항

제품(특히 5.1 구성)에서 높은 음압이 발생할 수 있으니 주의하시기 바랍니다. 왜곡이 적고 사용자 피로가 거의 없으므로, 실제 음압을 느끼기 어려울 수도 있습니다. 특정 시간 이상 큰 소리에 노출되면 청각이 영구적으로 손실될 수 있다는 것을 기억하십시오.

보증 조건

모든 Focal 스피커들의 개런티 보장은 고객 국가의 지정Focal공식 대리사가 작성한 개런티의 내용에 따라 보 장됩니다. 공식 대리사는 고객에게 개런티 조건의 세부내용을 제공해야 합니다. 개런티는 제품 구입 국가의 현 행 법적 허용 개 런티 보장에 따라 보장됩니다.

빠른 시작

1. 모든 작동 전, 스피커 시스템과 오디오 소스(콘솔 등)의 전원 스위치가 꺼진 상태이고 스피커 시스템 뒷면에 있는 설정이 위치 0에 있는지 확인하십시오.
2. XLR, RCA 또는 TRS 입력 단자를 통해 소스로부터 오는 오디오 신호를 스피커 시스템에 연결합니다. 3개의 입력 단자를 통해 3개까지의 소스를 각 스피커에 연결할 수 있습니다. 그럼에도, TRS 입력 단자가 XLR 입력 단자에 우선합니다. RCA 입력 단자는 TRS나 XLR 입력 단자에 더해집니다. 더 많은 정보는, 39페이지를 참조하십시오.
3. 제공된 전원 케이블을 이용하여 스피커를 전원에 연결합니다.
4. 오디오 소스를 켜고 스피커에 연결된 오디오 소스의 출력 수준이 ∞ , 또는 너무 낮은 수준으로 설정되어 있는지 확인하십시오.
5. 스피커 시스템의 전원을 켭니다. 스피커 시스템은 이제 "대기" 모드입니다.
6. 스피커 시스템이 "작동" 모드로 자동 전환되도록 스피커 시스템이 신호를 감지할 때까지 오디오 소스의 레벨을 키웁니다.

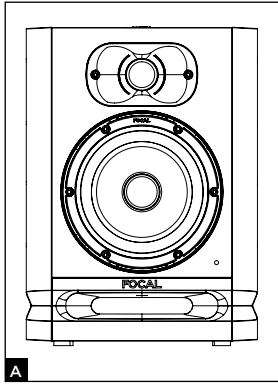


스피커 시스템을 켜고 자동 대기 모드를 자동 활성화한 후(이 기능과 관련된 정보는 39페이지 참조), 스피커 내 오디오 신호의 감지 회로는 몇 초 뒤 "대기" 모드에서 "작동" 모드로 자동 전환됩니다.

7. 녹음이나 믹싱 또는 마스터링 세션이 끝나면 다음의 순서에 따라 장치를 끄는 것이 좋습니다.
 - a. 스피커 시스템을 끕니다
 - b. 오디오 소스를 끕니다

ALPHA™ EVO

사용 설명서



ALPHA 50 EVO

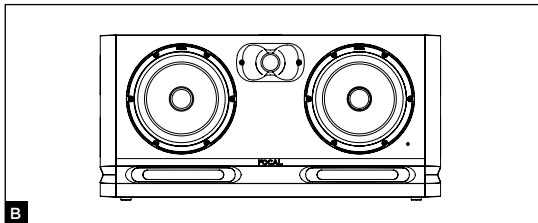
ALPHA 50 EVO 스피커 시스템은 전문가용 액티브 2채널 (2개의 내부 앰프) 프록시미터 컨트롤 스피커 시스템으로, 큰 섹션에 레미너 포트가 적재된 Slatefiber 멤브레인이 장착된 5”(13cm) 중저음 스피커 하나와 알루미늄 소재의 역돔 트위터 하나로 구성되어 있습니다 (그림 A).

ALPHA 65 EVO

ALPHA 65 EVO 스피커 시스템은 전문가용 액티브 2채널 (2개의 내부 앰프) 프록시미터 컨트롤 스피커 시스템으로, 큰 섹션에 레미너 포트가 적재된 Slatefiber 멤브레인이 장착된 6.5”(16.5cm) 중저음 스피커 하나와 알루미늄 소재의 역돔 트위터 하나로 구성되어 있습니다 (그림 A)

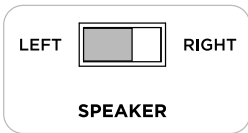
ALPHA 80 EVO

ALPHA 80 EVO 스피커 시스템은 전문가용 액티브 2채널 (2개의 내부 앰프) 프록시미터 컨트롤 스피커 시스템으로, 큰 섹션에 레미너 포트가 적재된 Slatefiber 멤브레인이 장착된 8”(20cm) 중저음 스피커 하나와 알루미늄 소재의 역돔 트위터 하나로 구성되어 있습니다 (그림 A)

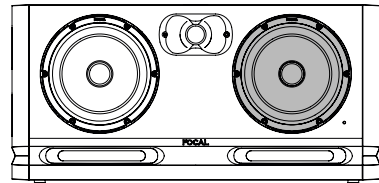


ALPHA TWIN EVO

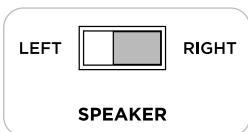
ALPHA TWIN EVO 스피커 시스템은 전문가용 액티브 2.5채널 (3개의 내부 앰프) 프록시미터 컨트롤 스피커 시스템으로, 큰 섹션에 레미너 포트가 적재된 Slatefiber 멤브레인이 장착된 6.5”(16.5cm) 중저음 스피커 하나와 알루미늄 소재의 역돔 트위터 하나로 구성되어 있습니다 (그림 B)



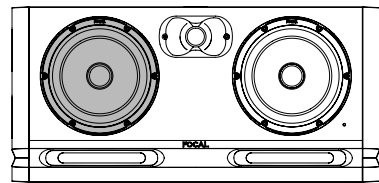
Speaker driver chosen to reproduce the midrange with the switch set to “left speaker”



Midrange



Speaker driver chosen to reproduce the midrange with the switch set to “right speaker”



Midrange

ALPHA™ EVO

사용 설명서

설치



전원
본 제품은 전선을 사용하여 접지해야 합니다.



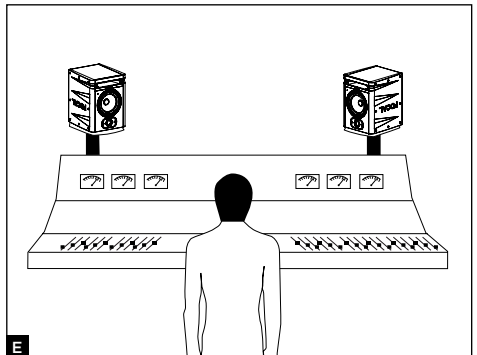
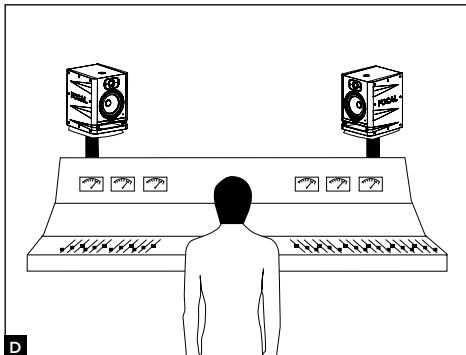
주의
3개의 입력 단자를 통해 3개까지의 소스를 각 스피커에 연결할 수 있습니다. 3개의 입력 단자(XLR, RCA, TRS)가 동시에 작동합니다. 이 기능을 최대한 활용하려면 소음이 발생하지 않도록 3개의 소스 중 하나만 켜는 것이 좋습니다.

자동 대기 모드

ALPHA EVO 모니터에는 "대기" 모드 기능이 기본 탑재되어 있습니다. 모니터를 작동시키면 "대기" 모드가 활성화됩니다. 비활성화하려면, 오디오 소스의 사운드 레벨을 서서히 올리며 모니터에 오디오 신호를 보냅니다. 오디오 신호를 수신하지 않은 상태로 약 15분이 지나면 모니터는 자동으로 "대기" 모드로 전환됩니다. "대기" 모드에서 전기 소비량은 0.5W 미만입니다. 이 "대기" 모드 기능은 Auto Stand-by 스위치로 비활성화할 수 있습니다(40페이지).

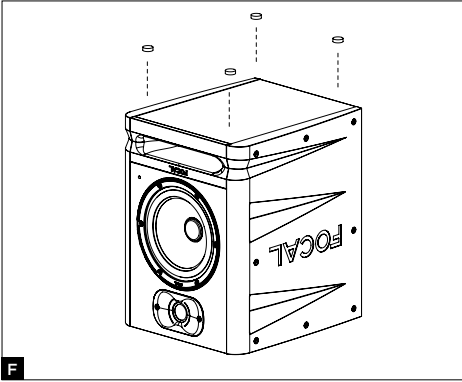
배치

ALPHA EVO 스피커 시스템은 프록시미티 컨트롤 스피커 시스템이며, 청취자를 향하도록 놓은 상태에서 청취자까지 40cm에서 3m의 거리를 두어야 합니다. 스피커 시스템은 믹싱 콘솔 위에 놓거나 적절한 발 위에 배치하기 적합합니다. 이때 트위터의 높이는 청취자 귀에 근접하도록 맞추는 것이 좋습니다. 필요하다면 스피커의 정상 배치를 역으로 뒤집어 트위터가 이 원칙에 맞도록 아래에 배치되게 할 수 있습니다. ALPHA EVO 스피커 시스템은 세워서 청취자를 향하게 배치해야 합니다 (그림 D, E).

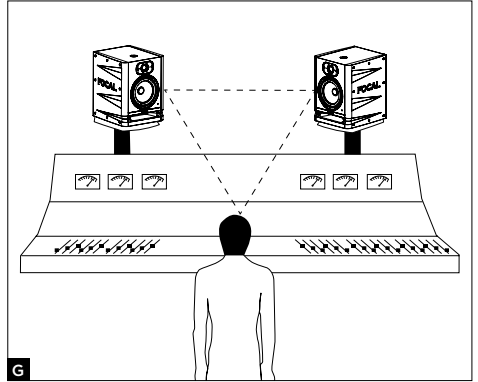


ALPHA™ EVO

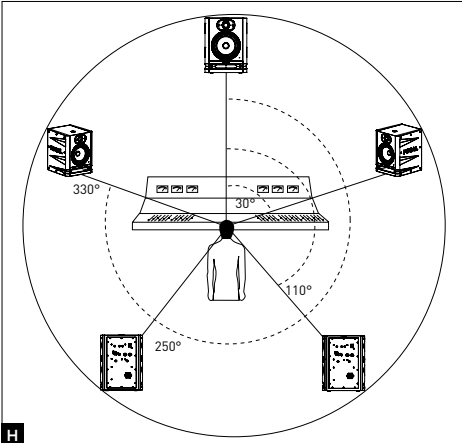
사용 설명서



F 배치가 정해지면 4개의 고무발을 배치하여 스피커 시스템을 지지대에서 분리합니다(그림 F). 각 스피커 시스템의 오른쪽/왼쪽의 간격과 방향을 어떻게 잡는가에 따라 레코딩의 소스에 정확히 맞춰 사운드스테이지(왼쪽/중심/오른쪽)의 폭, 중심, 전반적 응집성을 조절할 수 있습니다.



G 스테레오 배치
이등변 삼각형이 되도록 스피커를 배치할 것을 권장합니다. 청취 위치, 오른쪽 스피커와 왼쪽 스피커에 의해 3개의 각도가 형성됩니다(그림 G).



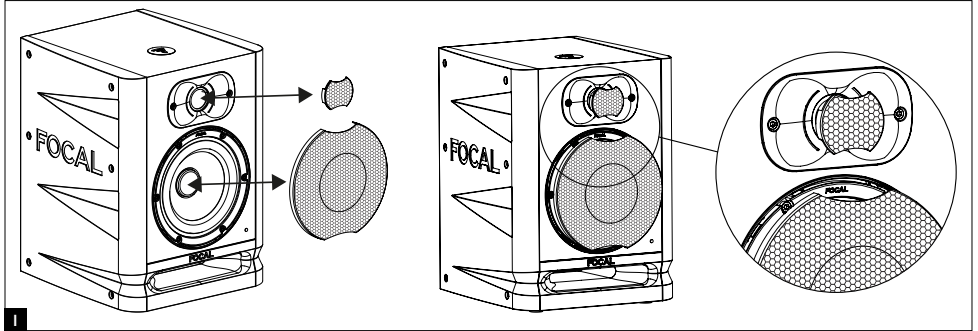
H 다채널 배치
5.1 설치 시, 청취 지점에서 각 스피커까지의 거리가 모두 동일하도록 스피커를 배치할 것을 권장합니다. 중앙 채널은 0° 로, 전방 채널은 30° 로, 후방 우측 채널은 110° 로, 후방 좌측 채널은 250° 로, 그리고 전방 좌측 채널은 330° 로 배치합니다(그림 H).

에이징

ALPHA EVO 스피커 시스템 내 사용되는 변환기는 복잡한 기계적 구성을 갖추고 있어, 성능을 최대로 발휘하고 사용자의 환경 내 온도와 습도 조건에 적응하기 위해서는 에이징 기간이 필요합니다. 이 기간은 실제 조건에 따라 달라지며 몇 주 연장될 수도 있습니다. 최초 몇 시간은 큰 음량으로 스피커를 작동하는 것을 피하십시오. 가능한 짧은 시간 내에 이 과정을 마치려면 저음이 풍부한 음악을 틀어 놓고 중간 음량에서 다양한 제품을 20시간 정도 작동합니다. 변환기의 특성이 안정화되면, Focal 제품의 성능을 모두 즐기실 수 있습니다.

그릴의 삽입과 제거

ALPHA EVO 스피커에는 트위터용 그릴과 우퍼용 그릴이 함께 제공됩니다. 그릴을 제거하려면 그릴 위와 아래에 있는 홈 부분을 손가락으로 잡아 트위터나 우퍼에 손상이 가지 않도록 조심해서 빼내면 됩니다. 필요한 경우 플라스틱 물체를 이용해 가볍게 들 수 있습니다. 그릴을 삽입하려면 그릴의 홈을 그에 맞는 자리에 끼우고 서서히 밀니다(그림 1).



ALPHA 50 EVO, ALPHA 65 EVO, ALPHA 80 EVO, ALPHA TWIN EVO 1의 설정 및 연결

1 - BALANCED - XLR

XLR 플러그는 대칭 신호 소스를 연결할 수 있게 해주고, 기본 배선도를 사용합니다. 핀1 = 접지(실드) 핀2 = 온점(동상 신호) 핀3 = 냉점(이상 신호)

이 입력 단자에는 대칭 소스의 민감도에 해당하는 +4dBu의 민감도가 부여되어 있습니다.

2 - BALANCED - TRS

TRS 플러그는 대칭 신호 소스를 연결할 수 있게 해주고, 기본 배선도를 사용합니다. Tip : 양극(말단) Ring : 음극(고리) Sleeve : 접지(본체)

이 입력 단자에는 대칭 소스의 민감도에 해당하는 +4dBu의 민감도가 부여되어 있습니다.

3 - UNBALANCED

RCA 플러그는 비대칭 신호 소스에 연결할 수 있게 해줍니다. 통상적으로 "음극" (핀3)은 접지(핀1)에 연결합니다. 이 연결은 보통 케이블로 이루어집니다. 이 입력 단자에는 비대칭 소스의 민감도에 해당하는 -10dBV의 민감도가 부여되어 있습니다.

4 - SENSITIVITY

이 기능을 사용하면 필요에 따라 더 높은 사운드 레벨을 얻을 수 있습니다. 사용할 수 있는 민감도는 0 및 +6dB입니다. +6dB 위치를 이용하면 컨버터 또는 사운드 카드의 출력 단계에서 포화가 발생하지 않으면서도 모니터 사운드 레벨을 올릴 수 있다는 장점이 있습니다.

5 - ON/OFF

ON/OFF 스위치로 내부 앰프를 켜거나 끌 수 있습니다 OFF(끔) 모드에서 ON(켄) 모드로 전환하면 스피커가 "대기" 모드가 됩니다. "대기" 모드를 비활성화하기 위해서는 오디오 신호를 스피커로 보내면 됩니다. 스피커는 신호를 감지해서 "대기" 모드에서 "작동" 모드로 자동 전환됩니다.

6 - LF SHELIVING

LF SHELIVING 가변저항은 300Hz 미만의 사운드 레벨을 활성화하거나 교정할 수 있습니다. 이 주파수 범위에서 청취실 음향이 자연스럽게 감소하는 경우 LF SHELIVING 가변저항을 +2dB로 조정할 것을 권장합니다. 청취실 음향이 중립적인 경우 LF SHELIVING 가변저항을 0으로 조정할 것을 권장합니다. 스피커를 벽이나 모서리 근처에 배치하는 경우 LF SHELIVING 가변저항을 -2, -4 또는 -6dB로 조정할 것을 권장합니다.

7 - HF SHELIVING

HF SHELIVING 가변저항은 4.5kHz 이상의 사운드 레벨을 활성화하거나 고정할 수 있습니다. 이 주파수 범위에서 청취실 음향이 자연적으로 감소하는 경우(울림이 적은 환경) +2dB로 조정할 것을 권장합니다. 청취실 음향이 중립적인 경우 0으로 조정할 것을 권장합니다. 이 주파수 범위에서 청취실 음향이 자연적으로 증가하는 경우(울림이 큰 환경) -2 또는 -3dB로 조정할 것을 권장합니다.

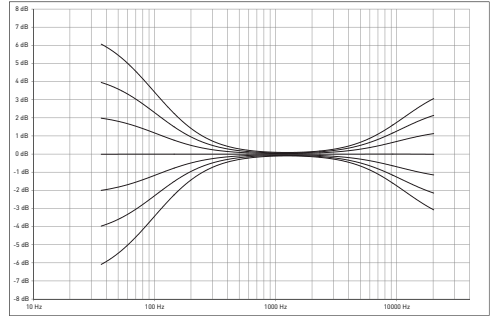
8 - 전원 플러그

제공된 전원 케이블을 이 바닥판에 연결합니다.

9 - 앞면 DEL

앞판에 있는 DEL은 스피커 스위치를 OFF에 놓으면 꺼집니다. DEL은 ON/OFF 스위치가 OFF(끔)에서 ON(켄)로 전환되면 켜집니다.

오디오 신호를 감지한 스피커는 "대기" 모드에서 "작동" 모드로 전환되고 DEL은 켜진 상태로 유지됩니다. 오디오 신호를 수신하지 않은 상태로 15분이 지나면 스피커는 자동으로 "대기" 모드로 전환되고 DEL은 꺼져서 불필요한 전력 소모를 방지합니다. "대기" 모드에서의 전력 소비량은 0.5W 미만입니다. 모드를 비활성화하려면 오디오 신호를 스피커로 보냅니다. "대기" 모드에서 "작동" 모드로 전환하는 데에는 몇 초가 걸립니다.



10 - AUTO STAND BY

ALPHA EVO 모니터에는 필요에 따라 비활성화할 수 있는 "대기" 모드 기능이 기본 탑재되어 있습니다. 공장 출하시 모니터는 ENABLE(사용) 위치로 조정되어 있습니다. 따라서 대기 모드는 활성화되어 있는 상태입니다. 모니터를 작동시키면 "대기" 모드가 활성화됩니다. "대기" 모드에서 나오려면, 오디오 소스의 사운드 레벨을 서서히 올리며 모니터에 오디오 신호를 보냅니다. 오디오 신호를 수신하지 않은 상태로 약 15분이 지나면 모니터는 자동으로 "대기" 모드로 전환됩니다. "대기" 모드에서 전기 소비량은 0.5W 미만입니다. 이 자동 대기 모드는 비활성화할 수 있습니다. 비활성화하려면 스위치를 "DISABLE(사용하지 않음)" 위치에 놓습니다. "DISABLE(사용하지 않음)" 위치에서 "ON-OFF"(작동 - 정지) 스위치를 "ON"(작동) 위치에 놓으면 스피커에는 계속 전원이 공급됩니다.

11 - 벽 고정 및 천장 고정

고정점이 있어 K&M® 액세서리를 사용하면 ALPHA EVO 모니터를 벽이나 천장에 고정할 수 있습니다. ALPHA 50, 65, 80 EVO의 경우 두 축간의 거리는 70mm입니다. M6형 나사를 사용합니다.

고정 삽입물과 관련된 보다 자세한 정보는 아래 도면을 참조하십시오. 호환되는 K&M® 참조번호를 확인하려면 아래 표를 참조하십시오.

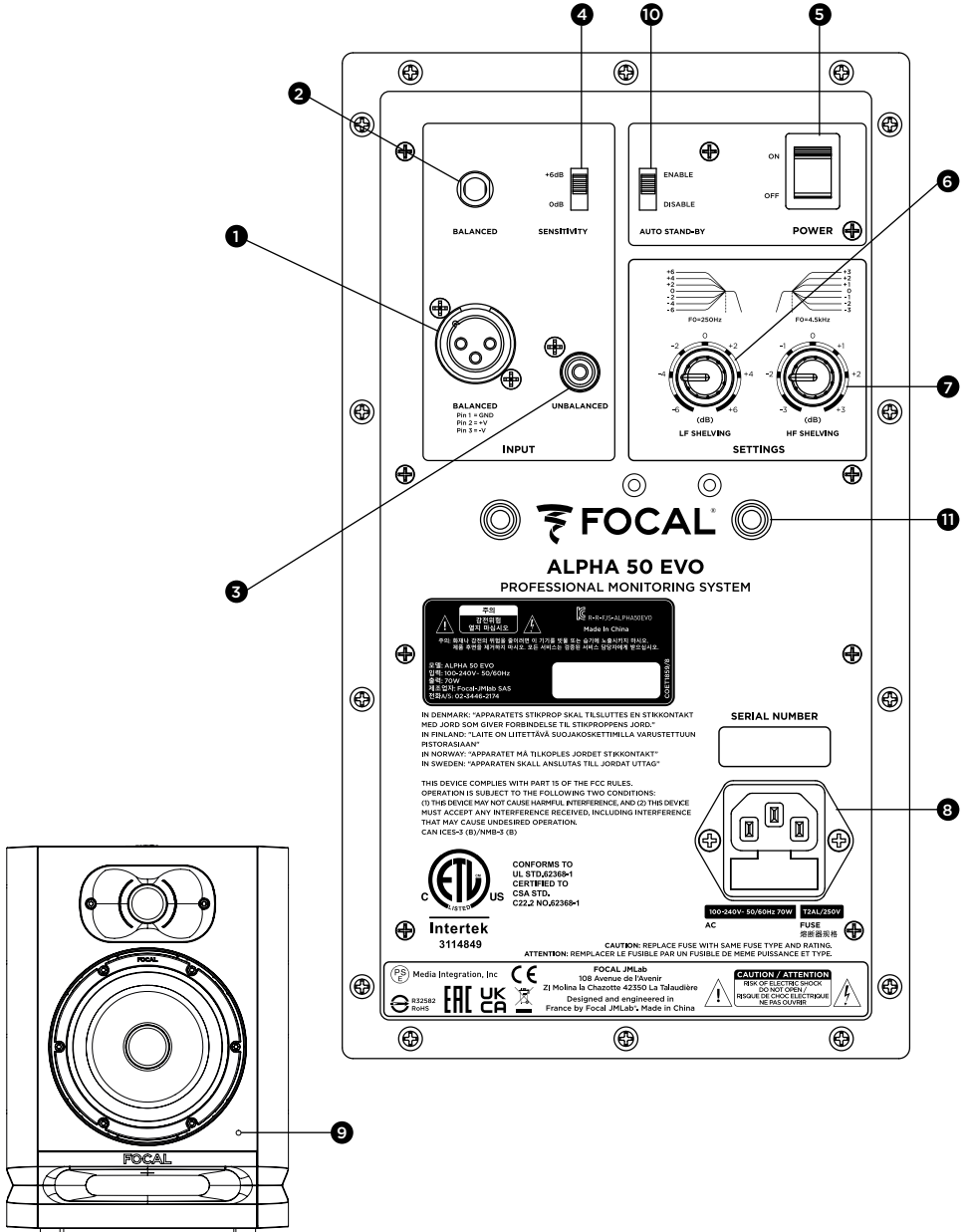


모든 다른 벽 또는 천장 고정 작업과 마찬가지로, 모니터 설치에는 위험이 따를 수 있으며, 천장 또는 기타 표면에 구멍을 뚫거나 고정하는 작업은 관련 지지물에 적용되는 시공, 구조, 안전, 배선 조건 및 규격에 따라 실시해야 합니다. 따라서 이러한 드릴링, 고정, 설치 작업은 자격이 있고 설치 및 안전 규격을 숙지하고 있는 전문가가 실시해야 합니다. Focal은 지지물 또는 특정 설비, 고객이 직접 실시한 모니터 설치 작업과 관련된 보증을 하지 않습니다. Focal은 장치 벗겨짐, 낙하, 사고 및 모니터 설치와 관련하여 발생하는 모든 성격의 결과 또는 손상에 대해 책임을 지지 않습니다.

	벽 고정	천장 고정
ALPHA 50 EVO	K&M® 24471 고정 키트 K&M® 24359 아답터	K&M® 24496 고정 키트 K&M® 24359 아답터
ALPHA 65 EVO	K&M® 24471 고정 키트 K&M® 24359 아답터	K&M® 24496 고정 키트 K&M® 24359 아답터
ALPHA 80 EVO	K&M® 24471 고정 키트 K&M® 24359 아답터	K&M® 24496 고정 키트 K&M® 24359 아답터
ALPHA TWIN EVO	K&M® 24167 고정 키트	

ALPHA™ EVO

사용 설명서



KO

ALPHA™ EVO

사용 설명서

시스템	ALPHA 50 EVO	ALPHA 65 EVO	ALPHA 80 EVO	ALPHA TWIN EVO
• 주파수 응답(+/- 3dB)	45 Hz - 22 kHz	40 Hz - 22 kHz	38 Hz - 22 kHz	38 Hz - 22 kHz
• 최대 SPL 레벨 (1m에서 pic)	101 dB SPL	104 dB SPL	106 dB SPL	108 dB SPL
	(1m에서 pic)	(1m에서 pic)	(1m에서 pic)	(1m에서 pic)

전자부

<ul style="list-style-type: none"> 입력 단자 -유형 / 임피던스 -커넥터 	TRS : 대칭 10 kOhms XLR : 대칭 10 kOhms RCA : 비대칭 10 kOhms (민감도 보정 포함)			
<ul style="list-style-type: none"> 중간 및 저주파수 앰프 고주파수 앰프 	35 W	55 W	80 W	50 W 50 W
<ul style="list-style-type: none"> 자동 대기 모드 - 대기 모드 - 대기 모두 비활성화 	약 15분간 사용하지 않은 경우 >6 mV 신호 감지 시			
<ul style="list-style-type: none"> 전원 공급 - 전압 - 연결 	100-240V~ (T2AL fuse/250V) IEC 플러그 및 탈착형 전원 케이블			
<ul style="list-style-type: none"> 조정 -민감도 -중간/저주파수 레벨 (0 ~ 250 Hz) -고주파수 레벨 (4.5 ~ 35 kHz) -전원공급 시작/정지 	조정식, 0 또는 +6 dB 조정식, +/-6 dB 조정식, +/-3 dB 뒷판의 시작/정지 스위치			
<ul style="list-style-type: none"> 대기 모드 중 소모 전력 	< 0.5 W			
<ul style="list-style-type: none"> 디스플레이 및 컨트롤 	전원 공급 및 차단 시 DEL - DEL Standby			

변환기

<ul style="list-style-type: none"> 우퍼 	13 cm (5") Slatefiber 콘	16.5 cm (6.5") Slatefiber 콘	20 cm (8") Slatefiber 콘	16.5 cm (6.5") Slatefiber 콘
<ul style="list-style-type: none"> 트위터 	알루미늄 역돔 25 mm (1")			

케이스

<ul style="list-style-type: none"> 구조 	0.6" (15 mm) MDF			
<ul style="list-style-type: none"> 마감 	비닐 및 검정색 페인트			
<ul style="list-style-type: none"> 4개의 고무발을 포함한 상태에서의 치수 (높이x폭x깊이) 	310 x 228 x 239 mm (12.2 x 9 x 9.41")	339 x 261 x 289 mm (13.35x10.28x11.38")	390 x 296 x 330 mm (15.35x11.65x13")	260 x 550 x 290 mm (10.24x21.65x11.41")
<ul style="list-style-type: none"> 중량 	5,95 kg (13.1 lbs)	7.6 kg (16.8 lbs)	9.8 kg (21.6 lbs)	12.2 kg (26.9 lbs)

まず、こちらをお読みください！

重要な安全上の注意！

	<div style="text-align: center; border: 1px solid black; padding: 5px;"> CAUTION RISK OF ELECTRIC SHOCK DO NOT OPEN </div>	
<p>正三角形の中の矢印記号が付いた稲妻マークは、人が感電するリスクとなるような「危険な」電圧が製品内部に存在することをユーザーに対して注意喚起する目的があります。</p>	<p>警告：感電の危険を防ぐため、装置からカバー（または背面）を取り外さないでください。専門家のみが修理できる装置です。メンテナンスまたは修理については、有資格者にお問い合わせください。</p>	<p>正三角形の中の感嘆符は、マニュアル内に安全性に関する、および操作と保守整備に関する重要な指示があることをユーザーに対して注意喚起する目的があります。</p>
<div style="display: flex; flex-direction: column; gap: 10px;">                    </div> <ol style="list-style-type: none"> 1.この指示を読んでください。 2.これらの指示を守ってください。 3.すべての警告に従ってください。 4.すべての指示に従ってください。 5.この装置を水の近くで使用しないでください。 6.乾いた布でのみ清掃してください。 7.換気口を塞がないでください。製造元の指示に従って取付をしてください。 8.ラジエーター、ヒートレジスター、ストーブ、または熱を発生するその他の機器（アンプを含む）などの熱源の近くに設置しないでください。 9.分極プラグの安全機能を無効にしないでください。分極プラグには2つのブレードがあり、一方が他方よりも幅広になっています。幅広のブレードは、安全のために設けられています。提供されたプラグがコンセントに適合しない場合は、旧式のコンセントを交換するために電気技術者にご相談ください。 10.電源コードを踏んだり、特にプラグ、コンセント、および装置から出てくる箇所まで電源コードを挟んだりしないように保護してください。 11.製造元指定の付属品/アクセサリのみを使用してください。 12.製造元が指定したカート、スタンド、三脚、ブラケット、テーブル、または機器と一緒に販売されているもののみを使用してください。カートを使用する場合、カート/機器を移動するときは、転倒による怪我をしないように注意してください。 13.雷雨の時、または長期間使用しないときは、装置の電源コードを抜いてください。 14.すべての修理は、有資格者に依頼してください。電源コードまたはプラグが損傷を受けた時、装置に液体がかかったり、装置の上に物が落ちた場合、装置が雨や湿気にさらされた場合、正常に作動しない、または装置が落下したなど、いかなる形であれ装置が損傷を受けた場合には、整備が必要となります。 	<div style="display: flex; flex-direction: column; gap: 10px;">                      </div> <ol style="list-style-type: none"> 15.この装置はClass 1に属しています。付属の保護用アース設置付きのAC電源プラグのみを使用してください。装置は、メインソケットコンセントに接続してください。 16.装置のOn/Offスイッチ、主電源プラグ、またはAC電源プラグがAC電源切断装置であり、設置後にすぐに操作可能な状態であらなければなりません。 17.警告：火災や感電を防ぐために、本装置を雨や湿気にさらさないでください。また、装置を水滴や水しぶきにさらさず、花瓶などの液体で満たされた物を装置の上に置かないでください。 18.換気口をふさがしないで下さい。 19.装置の換気口に物を挿入しないでください。高電圧コンポーネントのものと接触したり、ショートしたりしても、火災や感電を引き起こす可能性があります。装置に液体をこぼさないでください。 20.ご自分で修理をしないようにしてください。危険な電圧やその他の危険が発生する可能性があります。全ての修理は有資格者にお問い合わせください。 21.装置は、45度以下の場所でお使いください。 22.熱帯気候下でこの機器を使用しないでください。 23.標高2000m以上で使わないでください。 24.火災や感電の原因となる可能性があるため、壁のコンセント、延長コード線、または複数のコンセントを過負荷にしないでください。 25.メーカーからの指示がない限り、装置を壁や天井に取り付けしないでください。 	<div style="display: flex; flex-direction: column; gap: 10px;">                      </div> <ol style="list-style-type: none"> 26.装置を温度が温度の低い場所から高い場所へ移動して使用する場合は、電源コードを繋げる前に、結露が生じていないかを確認してください。 27.装置の上やろうそくなどの裸火を置かないでください。 28.装置はラベルに表示されている主電源のみに接続してください。使用している主電源の種類がわからない場合は、小売業者または電力会社にお問い合わせください。バッテリーまたは他の電源を使用する装置については、ユーザーマニュアルを参照してください。 29.適切に換気をするために、装置を他の物体から少なくとも5cm離してください。 30.コンポーネントの交換が必要な場合は、技術者が製造元が指定したコンポーネントを製用していること、または元のコンポーネントとまったく同じ特性を持つコンポーネントを使用していることを確認してください。不適合のコンポーネントを使用すると、火災、感電、その他の事故を引き起こす可能性があります。 31.装置のメンテナンスまたは修理作業が完了したら、メンテナンス技術者にテストを依頼して、安全に機能することを確認してください。 32.聴力に影響を与える恐れがありますので、大音量で長時間続けて聞きすぎないでください。大音量でスピーカーを聞くと、ユーザーの耳に損傷を与え、聴覚障害（一時的または永続的な難聴、耳鳴り、耳鳴り、聴覚過敏）を引き起こす可能性があります。過度の音量（85dB以上）を1時間以上聞き続けると、回復が不可能なほど聴力を損なう可能性があります。

Focal-JMlabの保証を有効にするには、
現在、製品のオンライン登録が可能になりました：www.focal.com/warranty



Focalのスピーカーをご購入いただきありがとうございます。原音に忠実なハイファイの世界へようこそ。Focalはイノベーション、最高峰の技術、伝統、サウンドの喜びを大切に、お客様へビュアで原音に近い、豊かな音をお楽しみいただけることを目指しています。この製品の性能をすべて活用するには、この冊子の説明をよくお読みになり、それから後で参照するために冊子を大切に保管してください。

同梱品について

当製品には、（本取扱説明書に加えて）以下のものが同梱されています。

- 1xACコード
- 1xツイーター用保護用グリルカバー（リスニング用にできるだけ早く取り除くことをお勧めします）
- 1xウーファー用保護用グリルカバー（リスニング用にできるだけ早く取り除くことをお勧めします）
- 4xラバーフィート

これらの付属品で足りないものがないか確かめ、すべてのアクセサリを段ボールから取り出してください。開梱時に製品に損傷を与えないように、次の手順に従って段ボールから製品を出してください。

まず、段ボールの開放部を完全に開きます。上部のクッションを除去します。ゆっくりと本体を持ち、箱から取り出して下さい。段ボールと本体外装部の状態を確認し、搬送によるダメージがないかどうかチェックして下さい。万一ダメージがあった場合は、すぐに運送業者と販売店へご連絡ください。段ボールは今後必要となる可能性もあるため、良好な状態で保管してください。

推奨事項

本製品は、高音圧を発する場合がありますので、設定時は気を付けてお使いください。（特に設定5.1にて）低歪かつ長時間での使用でも聴覚の疲労は最小限に抑えられているため、理想の音圧を実現するのに十分な時間をとってください。高音圧での長時間のリスニングは、決定的に聴力を損傷する恐れがあります。

保証条件

Focal社のすべてのラウドスピーカーは、お住まいの国のFocal正規代理店が定めた保証によりカバーされています。お近くの販売店にて保証条件に関する詳細をご提供することができます。保証のカバーは、少なくとも請求書の原本が発行された国の法的保証が付与したものに及びます。

クイックセットアップ・ガイド:

1. 最初に、本体とオーディオソース（コンソールなど）の電源が全てオフになっていることと、本体の背面にあるすべての設定が0の位置になっていることを確認してください。
2. オーディオ信号をXLR、RCA、またはTRS入力を使って接続してください。最大3つのソース機器をそれぞれのスピーカーに接続することができます。ただし、TRS入力はXLR入力よりも優先されます。RCA入力は、TRS入力またはXLR入力と共に作動します。詳細については、49ページ目を参照してください。
3. 付属のACコードを使用して、本体を主電源に接続します。
4. オーディオソースの機器の電源を入れ、オーディオソースの出力レベルを ∞ または最小の位置に設定してください。
5. 本体の電源を入れます。「スタンバイ」モードで起動します。
6. 本体が入力信号を検知して自動的にオンになるまで、オーディオソースの出力レベルを上げます。



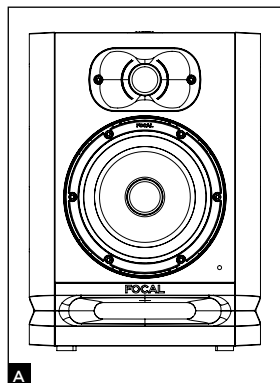
本体の電源を入れた後や、自動的にスタンバイモードになった場合（詳細については49ページ目を参照）、オーディオ信号を検知すると自動的に「スタンバイ」から「オン」に数秒後に切り替ります。

7. レコーディング、ミキシング、またはマスタリングの作業が終了したら、次の手順で電源をオフにしてください。

- a. 本体をオフにする
- b. オーディオソースをオフにする

ALPHA™ EVO

取扱説明書



ALPHA 50 EVO

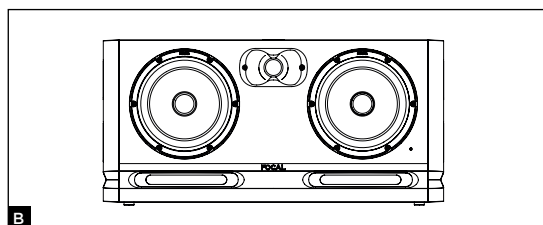
アクティブ2ウェイ・ニアフィールド・プロフェッショナル・スピーカー
2つの独立したアンプを内蔵。アルミニウム・リバースドーム・ツイーターと大型のラミネー
ー・ポートに搭載された13cmポリガラスコーン・ウーファー/ミッドレンジ・ドライバーを搭載。
(図A)

ALPHA 65 EVO

アクティブ2ウェイ・ニアフィールド・スピーカー
2つの独立したアンプを内蔵。
アルミニウム・リバース・ドーム・ツイーターと大型のラミネー・ポートに搭載された16.5cm
ポリガラスコーン・ウーファー/ミッドレンジ・ドライバーを搭載。(図A)

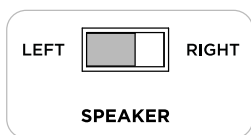
ALPHA 80 EVO

アクティブ2ウェイ・ニアフィールド・スピーカー
2つの独立したアンプを内蔵。
アルミニウム・リバース・ドーム・ツイーターと大型のラミネー・ポートに搭載された20cmポ
リガラスコーン・ウーファー/ミッドレンジ・ドライバーを搭載。(図A)

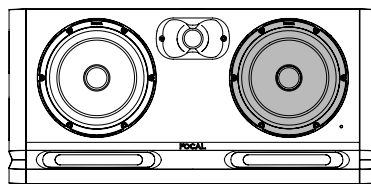


ALPHA TWIN EVO

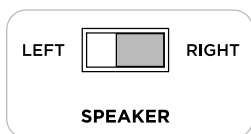
アクティブ2.5ウェイ・ニアフィールド・スピーカー
3つの独立したアンプを内蔵。アルミニウム・リバ
ース・ドーム・ツイーターと大型のラミネー・ポート
に搭載された16.5cmポリガラスコーン・ウーファー/ミ
ッドレンジ・ドライバーを搭載。(図B)



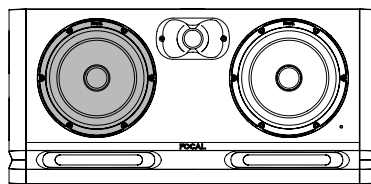
Speaker driver chosen to reproduce the midrange
with the switch set to "left speaker"



Midrange



Speaker driver chosen to reproduce the midrange
with the switch set to "right speaker"



Midrange

ALPHA™ EVO

取扱説明書

設置



電源
電源コードを使用して本体を接地してください。



注意点
最大3つのソース機器をそれぞれのスピーカーに接続することができます。XLR入力、RCA入力、TRS入力を3つ同時に使用することができます。この機能を最大限に活用するには、3つのソースのうち1つだけをオンにして、不要なノイズ汚染を避けることをお勧めします。

オート・スタンバイ・モード

ALPHA EVOモニターは、「スタンバイ」モードを搭載しています。モニターの電源を入れると、「スタンバイ」モードになります。「スタンバイ」モードを解除するには、オーディオ信号をモニターに送信し、オーディオソースの帯域を徐々に上げます。約15分経ってもオーディオ信号の受信がない場合、モニターは自動的に「スタンバイ」モードに切替ります。「スタンバイ」モード時の消費電力は最大0.5Wです。この「スタンバイ」モードは、オートスタンバイを使用することで、解除できます。(50ページ目)

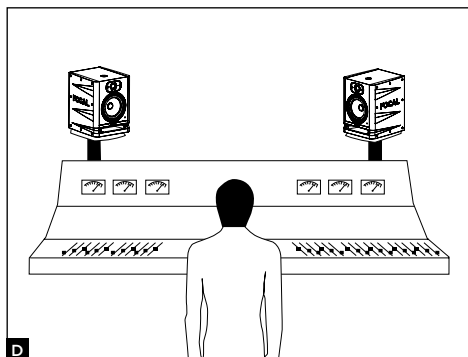
位置

ALPHA EVOは、ニアフィールド・スピーカーです。リスナーにドライバーを向けるように、40cmから3mの範囲内に設置してください。

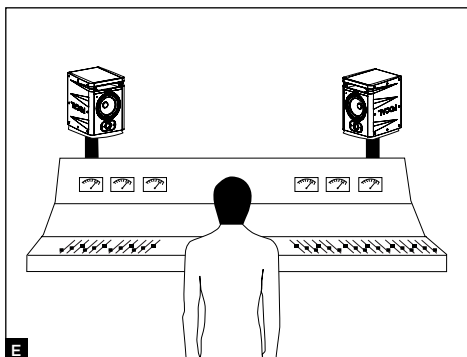
ミキシングコンソールやスタンドに設置することも可能です。設置場所に関わら

ずツイーターを耳と同じ高さに設置することを強くお勧めします。スピーカーを逆さまに設置していただくことも可能です。ただ

し、ALPHA EVOはリスナーに向けて、縦向きに設置するものとし、横向きには設置しないようにしてください。(図D、E)



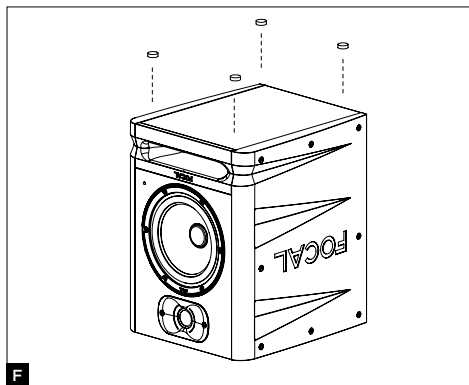
D



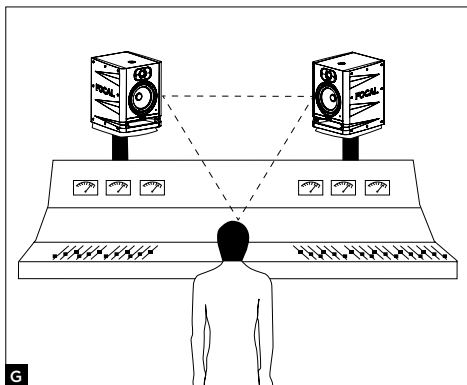
E

ALPHA™ EVO

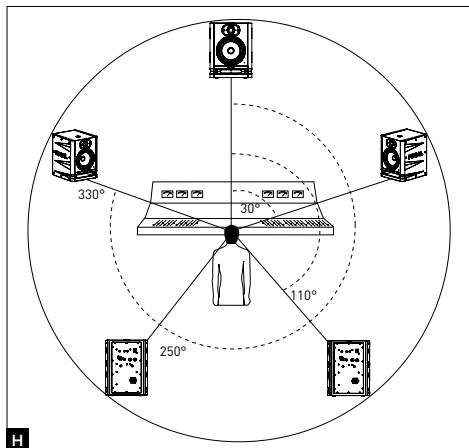
取扱説明書



設置位置が決まったら、付属の4つのラバーフィートを取り付けてください。(図F)
各スピーカーの間隔と右/左の向きを変えることで、サウンドステージのイメージを決定できますので、最適な位置を試聴しながら決めてください。(左、中央、右)



ステレオ・ポジション
正三角形を作るように本体を設置することをお勧めします。リスナーに対し、左右均等の位置に正三角形になるように設置します。(図G)



マルチチャンネル・ポジション
5.1の設定の場合、リスナーを中心として本体それぞれが等距離の円周上にくるように設置することをお勧めします。一般的にセンターチャンネルが0°、フロント・ライトチャンネルが30°、バック・ライトチャンネルが110°、バック・レフトチャンネル250°そしてフロント・レフトチャンネルが330°です。(図H)

エイジング期間

ALPHA EVOは、その機能を最大限にいかして、またお使いの環境温度および湿度条件に適応するために、一定の時間を必要とする複雑な機械です。このエイジング期間の長さは、それぞれの環境条件に応じて異なり、数週間に及ぶ場合もあります。最初のうちは、高域入力は避けてください。エイジング期間終了を加速させるには、スピーカーを中域に調整して、低音が豊富な音楽を約20時間聞くことをお勧めします。スピーカーの特性が完全に安定すると、Focalスピーカーの機能を思う存分お楽しみいただけます。

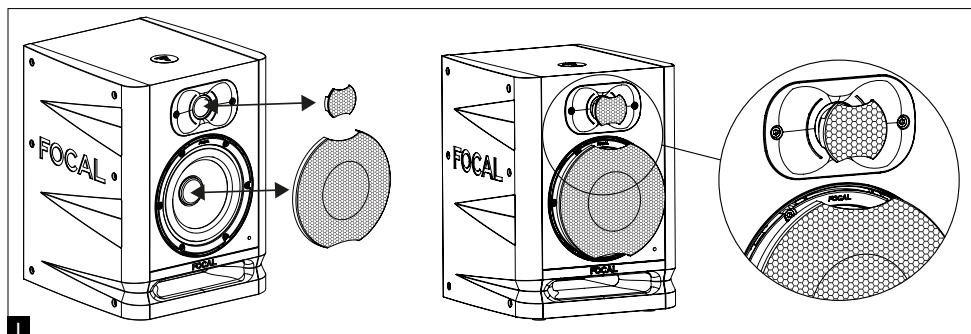
ALPHA™ EVO

取扱説明書

49

グリルの取付けと取り外し

ALPHA EVOには、ツイーター用のグリルとウーファー用のグリルが付属しています。ツイーターやウーファーを傷つけないように注意しながらグリルを取り外してください。必要に応じて、プラスチック製の物を使用して開けてください。グリルをカチッとはめるように取付けます。(図1)



1 ALPHA 50 EVOおよびALPHA 65 EVO, ALPHA 80 EVO, ALPHA TWIN EVO

1-の設定と接続-バランス入力 XLR

バランス入力ができるXLRプラグは、標準の配線方式を用います。Pin1=グランド

Pin2=ホット (正相電圧)

Pin3=コールド (逆相電圧)

XLR/バランス入力は感度+4dBuに設定されています。

2-バランス入力 TRS

バランス接続ができるTRSプラグは、標準の配線方式を用います。バランス伝送: ホット、コールド、グランド

バランス入力は感度+4dBuに設定されています。

3-アンバランス入力

RCAプラグは、アンバランス接続です。通常Pin3コールドとPin1グランドを接続しています。この接続は通常ケーブルで行います。この入力は感度-10dBVに設定されています。

4v感度

この機能を使うことで、より高域の音を楽しむことができます。0dBまたは+6dBに切り替えが可能です。+6dBは、コンバーターまたはサウンドカードの出力ステージの飽和を回避しながら、帯域を上げることができます。

5-ON/OFFスイッチ

ON/OFFスイッチは内蔵パワーアンプの電源を入れたいとき、切りたいときに使用します。オンにすると、「スタンバイ」モードとなります。オーディオ信号が検知されることで、自動的に「スタンバイ」モードが解除されます。

6-LF シェルビング

300Hz以下の帯域のコントロールを行います。リスニングルームの反響がソフトな場合は+2dBに設定することをお勧めします。リスニングルームの反響が特に問題のない場合は0に設定することをお勧めします。壁際や角に本体を設置した場合は-2dB、-4dBもしくは-6dBに設定することをお勧めします。

7-HFシェルピング

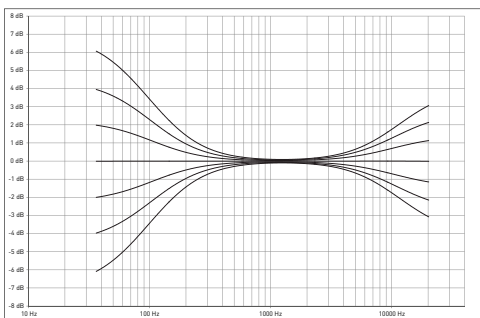
4.5kHz以上の帯域のコントロールを行います。リスニングルームの反響がソフトな場合は+2dBに設定することをお勧めします。リスニングルームの反響が特に問題のない場合は0に設定することをお勧めします。リスニングルームの反響がソフトな場合は-2dBもしくは-3dBに設定することをお勧めします。

8-電源プラグ

付属のACコードを差し込み口に接続します。

9-パワーLED フロントパネル

電源スイッチがオフのときはLEDもオフになります。電源スイッチがオンのとき、LEDもオンになります。「スタンバイ」モードが解除されても、オーディオ信号が検知されるとLEDは動作したままです。15分以上オーディオ信号が検知されないと自動的に「スタンバイ」モードに切り替わり、不要な電力の消費を行わないようにLEDはオフになります。「スタンバイ」モードの時の消費電力は最大0.5Wです。オーディオ信号が検知されると、「スタンバイ」モードは解除されます。数秒で「スタンバイ」モードは解除されます。



10-オートスタンバイ

必要に応じて、「スタンバイ」モードを無効にすることができます。工場出荷時、オートスタンバイは「ENABLE」に設定されています。この時、「スタンバイ」モードは有効になっています。本体の電源を入ると、「スタンバイ」モードで起動します。「スタンバイ」モードを解除するには、オーディオ信号をモニターに送信し、オーディオソースの帯域を徐々に上げます。15分以上オーディオ信号が検知されないと自動的に「スタンバイ」モードに切り替わります。「スタンバイ」モードの時の消費電力は最大0.5Wです。オートスタンバイモードを解除することは可能です。「DISABLE」に設定してください。「DISABLE」に設定することでオートスタンバイモードは解除されます。

11-壁掛け型と天井埋込型

壁または/そして天井にALPHA EVOをK&M*を使用して設置する場所を決めます。ALPHA 50, 65, 80 EVOの距離は70mmです。六角ネジを使用してください。

固定作業に関する追加情報については、以下の図を参照してください。互換性のあるK&M*については、以下の表を参照してください。



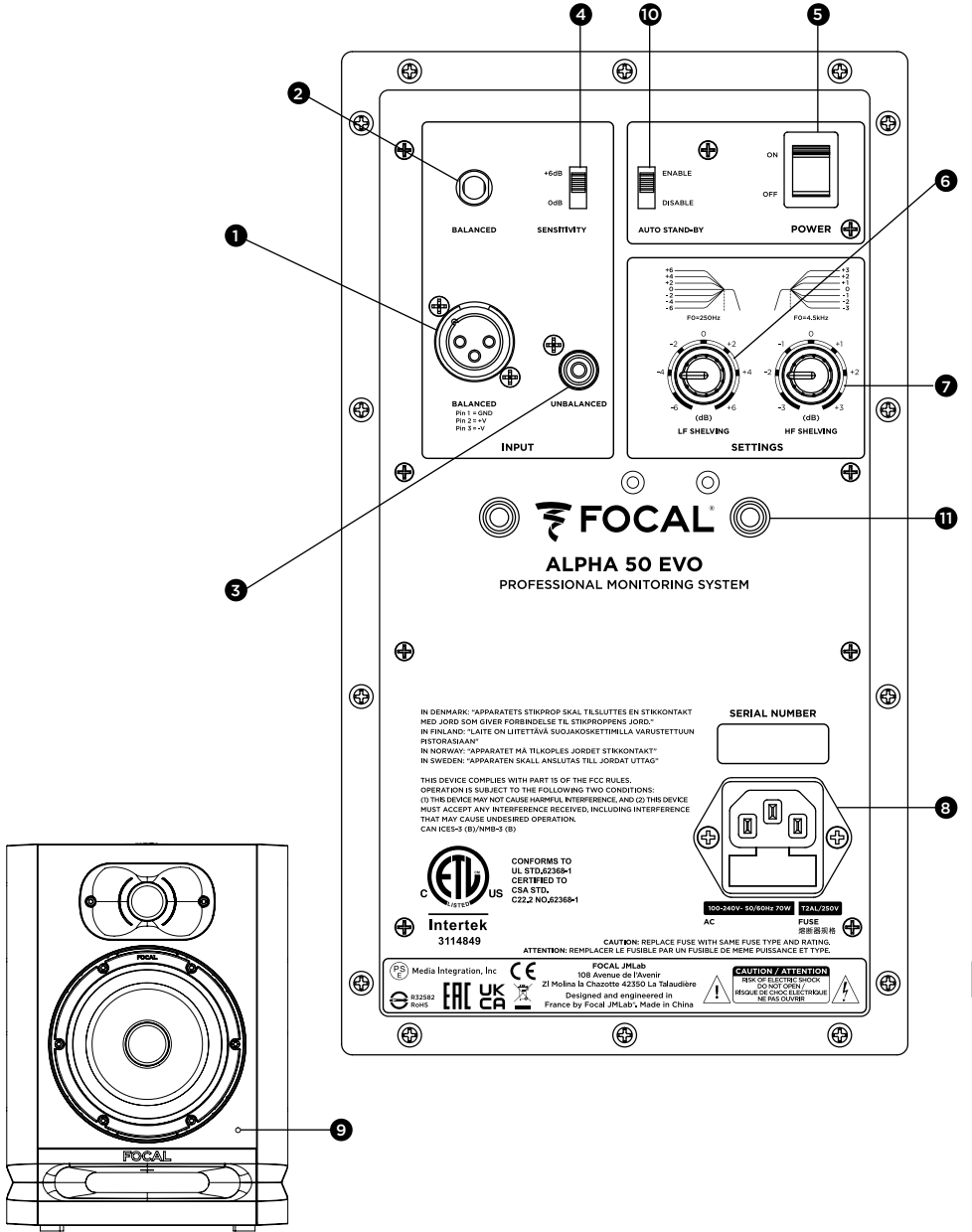
壁や天井にモニターを固定する設置作業には、リスクが伴います。壁、天井、その他あらゆる表面に穴を開けてスピーカーを固定する場合は、必ず設置する場所の建物やレイアウト、セキュリティ、配線の規則のあらゆる条件と基準を満たした上で実施してください。条件と基準を遵守するために、設置および安全基準を認識している資格をもつ専門家、穴を開ける作業や固定、および設置作業を依頼してください。

Focalは、スピーカーのあらゆる設置作業に関して保証せず、スピーカーの設置は、お客様自身の自己責任でなされるものであるとします。したがって、取付金具が外れた場合、スピーカーが落下した場合、スピーカー取付作業による事故が起きた場合、および/またはモニターの設置に関連するあらゆる損傷や事故が発生しても、Focalはいかなる責任も負いません。

	壁掛け型	天井埋込型
ALPHA 50 EVO	K&M* 24471固定スタンド +K&M* 24359アダプター	K&M* 24496固定スタンド +K&M* 24359アダプター
ALPHA 65 EVO	K&M* 24471固定スタンド +K&M* 24359アダプター	K&M* 24496固定スタンド +K&M* 24359アダプター
ALPHA 80 EVO	K&M* 24471固定スタンド +K&M* 24359アダプター	K&M* 24496固定スタンド +K&M* 24359アダプター
ALPHA TWIN EVO	K&M* 24167 固定スタンド	

ALPHA™ EVO

取扱説明書



IN DENMARK: "APPARATETS STIKPROP SKAL TILSLUTES EN STRIKKONTAKT MED JORD SOM GIVER FORBUNDLESE TIL STIKPROPPENS JORD."
 IN FINLAND: "LAITE ON LIITETTÄVÄ SUOJAUKOIKETIIMILLA VARUSTETTUUN RISTORASLAAN."
 IN NORWAY: "APPARATET MA TILKORLES JORDET STIKKONTAKT"
 IN SWEDEN: "APPARATEN SKALL ANSLUTAS TILL JORDAT UTTAG"

THIS DEVICE COMPLIES WITH PART 15 OF THE FCC RULES. OPERATION IS SUBJECT TO THE FOLLOWING TWO CONDITIONS: (1) THIS DEVICE MAY NOT CAUSE HARMFUL INTERFERENCE, AND (2) THIS DEVICE MUST ACCEPT ANY INTERFERENCE RECEIVED, INCLUDING INTERFERENCE THAT MAY CAUSE UNDESIRABLE OPERATION. CANICES-2 (B)/NMS-3 (B)

ETL CONFORMS TO UL STD. 62368-1 CERTIFIED TO CSA STD. C22.2 NO. 62368-1

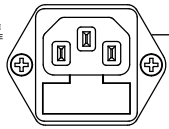
Intertek
3114849

Media Integration, Inc
832582
RoHS

Focal JMLab
100 Avenue de l'avenir
21 Molins la Couronne 42250 La Tourelle
Designed and engineered in France by Focal JMLab. Made in China

SERIAL NUMBER

[Serial Number Field]



100mA/0.1V - 50/60Hz T0.1A/250V
AC FUSE 熔断器底座

CAUTION: REPLACE FUSE WITH SAME FUSE TYPE AND RATING. ATTENTION: REMPLACER LE FUSIBLE PAR UN FUSIBLE DE MEME FUSIONANCE ET TYPE.

CAUTION / ATTENTION
RISK OF ELECTRIC SHOCK
DO NOT OPEN
RISQUE DE CHOC ELECTRIQUE
NE PAS OUVRIE

ALPHA™ EVO

取扱説明書

52

機器名	ALPHA 50 EVO	ALPHA 65 EVO	ALPHA 80 EVO	ALPHA TWIN EVO
・周波数特性(+/- 3dB)	45 Hz - 22 kHz	40 Hz - 22 kHz	38 Hz - 22 kHz	38 Hz - 22 kHz
・最大音圧レベル	101 dB SPL (ピーク1m)	104 dB SPL (ピーク1m)	106 dB SPL (ピーク1m)	108 dB SPL (ピーク1m)

電子機器

・入力				
- タイプ/インピーダンス	TRS入力: バランス入力 10 kOhms			
- コネクタ	XLR入力: バランス入力 10 kOhms RCA入力: アンバランス入力感度 10 kOhms			
・中音アンプと低音アンプ	35 W	55 W	80 W	50 W
・高音アンプ	25 W	30 W	35 W	50 W 30 W
・オート・スタンバイ・モード				
- スタンバイ・モード	15分以上使用しない場合			
- スタンバイ・モード解除	6 mV以上オーディオ信号検知			
・電源				
- 電圧	100-240V- (T2AL fuse/250V)			
- 接続	取り外し可能なIEC電源コード			
・設定				
	調整可能0か+6 dB、 調整可能+/-6 dB			
	調整可能+/-3 dB 背面パネルのオン/オフスイッチ			
・スタンバイ時の消費電力	< 0.5 W			
・インディケータおよびコントロール	LEDスタンバイモード			



トランスデューサー

・ウーファー	13 cm (5") ポリグラスコーン	16,5 cm (6.5") ポリグラスコーン	20 cm (8") ポリグラスコーン	16,5 cm (6.5") ポリグラスコーン
・ツイーター	アルミニウム製インバーテッド・ドーム25 mm(1")			

キャビネット

・構造	MDF15 mm (0.6")			
・仕上げ	黒色ビニール仕上げ			
・サイズ4本のゴム足含(HxWxD)	310 x 228 x 239 mm (12.2 x 9 x 9.41")	339 x 261 x 289 mm (13.35 x 10.28 x 11.38")	390 x 296 x 330 mm (15.35 x 11.65 x 13")	260 x 550 x 290 mm (10,24 x 21,65 x 11,41")
・重量	5,95 kg (13.1 lbs)	7,6 kg (16.8 lbs)	9,8 kg (21.6 lbs)	12,2 kg (26.9 lbs)

請先閱讀 重要安全說明！

	<div style="border: 2px solid black; padding: 5px; text-align: center;"> <p>CAUTION</p> <p>RISK OF ELECTRIC SHOCK DO NOT OPEN</p> </div>	
<p>等腰三角形中的閃電符號是用來警告使用者裝置具有高電壓，可能導致觸電風險。</p>	<p>警告：為了避免觸電風險，請勿將裝置的封蓋（或背殼）移除。此裝置中沒有使用者可自行更換的零件。請聯繫合格專業人員進行維護或維修。</p>	<p>等腰三角形中的驚嘆號用以警示使用者，注意手冊中含有關於使用和照顧裝置的重要說明。</p>
<div style="display: flex; flex-direction: column; gap: 10px;">              </div> <ol style="list-style-type: none"> 1. 請仔細閱讀這份說明。 2. 請保存這份說明。 3. 請注意所有警告事項。 4. 請遵守所有指示。 5. 請勿在近水處使用本設備。 6. 僅能使用乾布清潔。 7. 請勿遮擋任何通風口。依照製造商說明進行安裝。 8. 請勿安裝在任何熱源附近，例如散熱器、暖通空調出風口、爐灶或其他產熱的裝置（包括放大器）。 9. 請勿破壞定極插頭的安全功能。定極插頭有兩個接腳，其中一個接腳比另一個接腳寬。寬接腳是為了您的安全而提供。若所提供的插頭與您的插座無法配合，請諮詢電工人員汰換老式插座。 10. 保護電源線不受踩踏或擠壓，特別是在插頭、電源插座還有電源線從設備接出的點。 11. 僅可使用製造商所指定的附件／配件。 12. 請僅使用製造商所指定或與設備一同販售的推車、三腳架、支架或桌子。當使用推車時，請在移動推車／設備組合時多加小心，以免翻倒造成受傷。 13. 雷暴雨期間或長時間不使用时，請拔掉本設備的插頭。 14. 設備維修事項請聘請合格的維修人員。若本設備受到任何損傷，則需進行維修，例如電源供應線或插頭受到損傷、液體傾瀉入或異物落入設備中、設備曝露於雨水或濕氣中、不能正常操作或設備摔落。 	<div style="display: flex; flex-direction: column; gap: 10px;">              </div> <ol style="list-style-type: none"> 15. 此產品屬於 1 類裝置。僅能使用所提供的市電插頭來連接裝置，該插頭內含接地連接。裝置插頭必須接入有接地的市電插座。 16. 當開啟／關閉開關或者連接到產品的市電插頭或轉接器被用作一個切斷裝置時，此裝置必須隨時保持可接觸進行操作的狀態。 17. 警告：為了降低火警或觸電風險，請勿將此設備曝露於水、雨水或濕氣中。另外，設備不得曝露於滴落或噴濺的液體之下，並且設備上不得放置盛裝液體的物體，例如花瓶。 18. 請勿遮蓋通風口。 19. 請勿將任何物體插入裝置的通風口。因為物體可能與高壓元件接觸，或使高壓元件短路造成火災或觸電。請勿潑灑液體於裝置上。 20. 請勿試圖自行維修裝置。打開裝置可能使您曝露於危險電壓或其他風險之下。所有維護工作均應聯繫合格專業人員進行。 21. 設備使用的環境溫度不得超過 45 攝氏度 (113° F) 最大值。 22. 請勿在熱帶地區中使用本機。 23. 請勿在高於 2,000 米 (6,500 英尺) 的海拔高度使用此裝置。 24. 請勿使牆面插座、延長線或多個電氣插座過載，此可能造成火災或觸電。 25. 裝置不可安裝至牆面或天花板，除非此為製造商意圖。 	<div style="display: flex; flex-direction: column; gap: 10px;">              </div> <ol style="list-style-type: none"> 26. 若產品從低溫環境運送至高溫環境，請在連接電源線前確認無冷凝現象發生。 27. 無遮蔽火焰源不應置於裝置之上，例如點燃的蠟燭。 28. 產品應該只連接到裝置標籤上顯示的市電類型。若您不確定您的市電電力供應類型為何，請詢問您的零售商或電力供應商。對於預定與電池或其他電源使用的裝置，請參見用戶手冊。 29. 請務必在產品周圍留下至少 5 公分 (2 英寸) 的距離，以保持良好通風。 30. 當需要更換元件時，確保維護技術人員使用製造商推薦的元件或與原本產品有相同技術特徵的元件。使用不符合規格的元件可能造成火災、觸電或其他風險。 31. 裝置進行任何維修工作之後，請要求維護技術人員測試裝置，以確認其可安全工作。 32. 為避免對您的聽力造成傷害，請勿以高音量長時間聆聽揚聲器播放。以高音量聆聽揚聲器可能造成使用者耳朵的傷害，並可能引起聽力問題（暫時性或永久性失聰、耳中嗡嗡作響、耳鳴、聽覺過敏）。曝露於過高音量（超過 85 dB）下超過一小時可以對您的聽力造成無法彌補的傷害。

請驗證您的 Focal-Jmlab 保固，
現在您可以在線上為產品進行註冊：www.focal.com/warranty



感謝您購買 Focal 產品。歡迎加入高保真音質世界。創新、傳統、卓越和愉悅是我們的價值；我們唯一的目標是為您帶來豐富、純粹和真實的聲音。為了完全發揮您所購買產品的價值，我們建議您閱讀這本小冊子內的說明，並且將其存放在安全的位置，以便日後參考。

產品包裝內容

揚聲器與下列零件（還有本手冊）一同提供：

- 1 條電源纜線
- 1 個高音喇叭使用的防護網罩（建議您聆聽使用時盡早移除）
- 1 個低音喇叭使用的防護網罩（建議您聆聽使用時盡早移除）
- 4 片橡膠墊腳

確認上述物件均無遺漏後，從盒子內取出所有配件。為了不在拆開包裝時損傷產品，請遵守以下步驟：完全打開紙箱的上蓋。把上蓋向下折出。移除外層保護包裝。小心地將揚聲器提出。確認包裝沒有顯示任何損傷跡象。若包裝受損，請通知運送商或供應商。將包裝材料良好保存十分重要，可供日後使用。

推薦

我們想提醒您，我們的產品可以產生極高聲壓，尤其是 5.1 聲道組態。由於失真程度很低，使用者疲勞會被降到最低，有時會不容易察覺到聲壓實際上有多高。請記得，曝露於高音量下超過一定時間會引起不可逆的聽力損失。

保固條款與條件

所有 Focal 揚聲器皆受保固，保固內容由您所在國家的官方 Focal 經銷商制定。您的經銷商能夠提供關於保固條件的所有細節。保固範圍延伸至在原購買發票的開立國家內有效的合法保固所授予的範圍。

在法國以外的地區，Focal-Jmlab 產品所享受的質保條款由各自國家的 Focal 官方授權經銷商根據當地現行法律制定。

加拿大：加拿大工業局聲明 (Industry Canada Statement)：

此裝置符合 ISED 的許可證豁免 RSS 標準。操作受下列兩個條件限制：(1) 此裝置不可造成有害干擾，而且 (2) 此裝置必須接受任何接收到的干擾，包括可能造成不符合期望的操作的干擾。

美國：聯邦通訊委員會干擾聲明

此裝置符合 FCC 規範的第 15 部分。操作受下列兩個條件限制：(1) 此裝置不可造成有害干擾，而且 (2) 此裝置必須接受任何接收到的干擾，包括可能造成不符合期望的操作的干擾。

此設備已通過測試，並依據 FCC 規範的第 15 部分判定為符合 Class B 數位裝置的限制。這些限制的設計目的，是針對居家環境安裝中的有害干擾提供合理的防護。然而，並不保證特定安裝中不會發生干擾。

快速入門指南

1. 在您開始操作之前，檢查揚聲器與音源設備（混音台等）均為關閉狀態，且揚聲器背面的所有設定均設至 0 刻度。
2. 使用 XLR、RCA 或 TRS 輸入來連接音源的音頻信號至揚聲器。您可以使用所提供的三種輸入來連接多達三個音源至各揚聲器。然而，TRS 輸入的優先順序較 XLR 輸入為高。RCA 輸入係附加於 TRS 或 XLR 輸入額外使用。請參考第 59 頁取得更多資訊。
3. 使用所提供的電源纜線將揚聲器連接至市電。
4. 開啟音源設備電源，檢查連接到揚聲器的音源設備之輸出音量設定至 $-\infty$ 或極低的位準。
5. 開啟揚聲器。揚聲器現在處於「待機」模式。
6. 增加音源設備的音量直到揚聲器偵測到信號，因而自動切換入「開啟」模式。



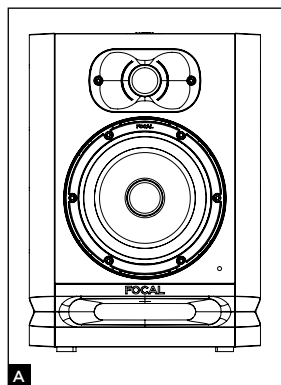
在揚聲器電源開啟且自動待機模式啟用後（此功能的更多資訊請參見第 59 頁），揚聲器內的音頻信號偵測電路將在數秒後自動從「待機」模式切換到「開啟」模式。

7. 在您完成一段錄音、混音或母帶處理工作後，我們推薦您使用下列順序來關閉您的設備：

- a. 關閉揚聲器
- b. 關閉音源

ALPHA™ EVO

用戶手冊



ALPHA 50 EVO

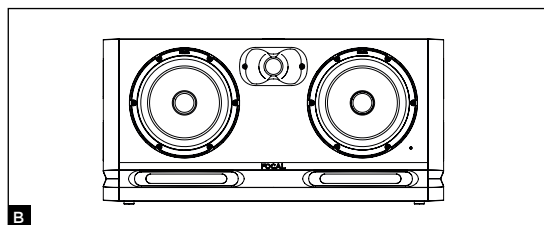
ALPHA 50 EVO 是一款主動式 2 音路近場專業揚聲器 (2 個內部放大器)，包含一個具有石板纖維音盆 (Slatefiber cone) 的 13 公分 (5") 中低音喇叭驅動器，裝配有大截面層流端口與鋁製倒穹頂高音喇叭 (圖 A)。

ALPHA 65 EVO

ALPHA 65 EVO 是一款主動式 2 音路近場專業揚聲器 (2 個內部放大器)，包含一個具有石板纖維音盆的 16.5 公分 (6.5") 中低音喇叭，裝配有大截面層流端口與鋁製倒穹頂高音喇叭 (圖 A)。

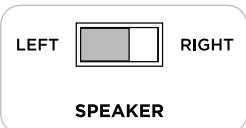
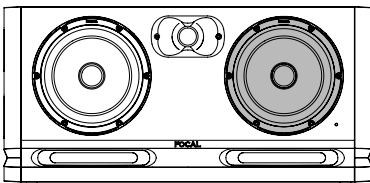
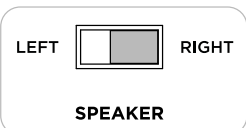
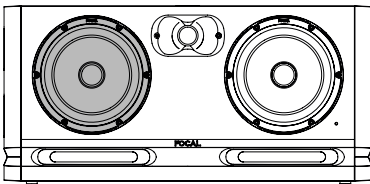
ALPHA 80 EVO

ALPHA 80 EVO 是一款主動式 2 音路近場專業揚聲器 (2 個內部放大器)，包含一個具有石板纖維音盆的 20 公分 (8") 中低音喇叭，裝配有大截面層流端口與鋁製倒穹頂高音喇叭 (圖 A)。



ALPHA TWIN EVO

ALPHA TWIN EVO 是一款主動式 2.5 音路近場專業揚聲器 (3 個內部放大器)，包含一個具有石板纖維音盆的 16.5 公分 (6.5") 中低音喇叭，裝配有大截面層流端口與鋁製倒穹頂高音喇叭 (圖 B)。

 <p>切換到「左喇叭」，選擇用以產生中音的喇叭</p>	 <p>Midrange</p>
 <p>切換到「右喇叭」，選擇用以產生中音的喇叭</p>	 <p>Midrange</p>

TW

C

安裝



市電電力
您的產品必須使用電源纜線進行接地。



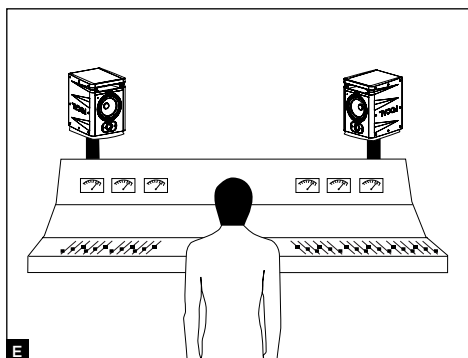
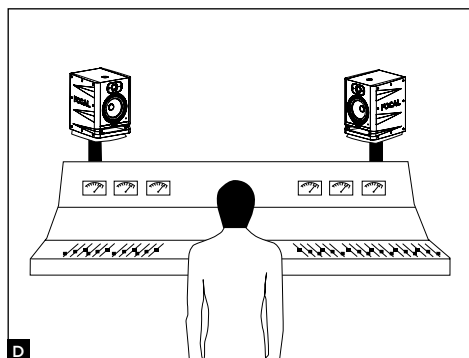
警告
您可以使用所提供的三種輸入來連接多達三個音源至各揚聲器。同時有三種輸入（XLR、RCA 與 TRS）被啟用。為了發揮此特色的所有效益，我們建議您僅對三種音源的其中一種接通電源，避免不必要的聲音干擾。

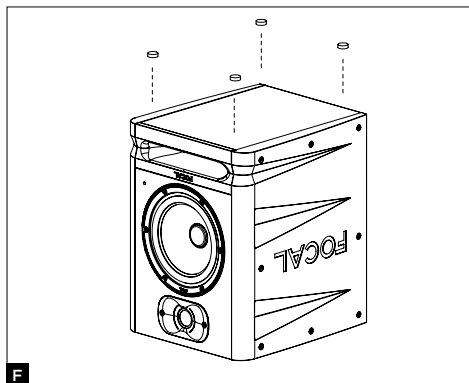
自動待機

ALPHA EVO 監聽設備均配備有「自動待機」模式。當您開啟監聽設備電源時，即啟用「待機」模式。欲停用待機模式時，以逐漸增加音源設備音量的方式，傳送音頻信號至監聽設備。在持續未接收到音頻信號大約 15 分鐘後，監聽設備將自動切換入「待機」模式。「待機」模式下功率消耗小於 0.5 瓦。可使用自動待機開關停用「待機」功能（第 60 頁）。

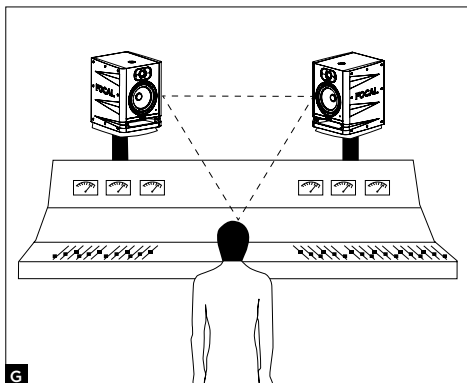
正確位置擺放

ALPHA EVO 揚聲器為近場揚聲器，必須放置於距離聆聽者 40 公分到 3 公尺處，並朝向聆聽者。它們可以被良好地擺放於混音桌面上或置於合適的支架上，請記得，在所有情境下，我們都強烈建議您將高音喇叭放置於與聆聽者耳朵高度相對接近的位置。若有必要，您可以輕易地將揚聲器一般布局反轉，將高音喇叭放置於底部，使其更接近我們推薦的高度。ALPHA EVO 揚聲器必須垂直定位並朝向聆聽者（圖 D、E）。



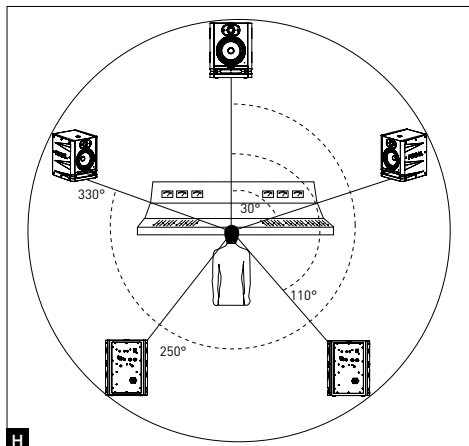


一旦確定布局，您可以使用所提供的橡膠墊腳使揚聲器與其立架解耦（圖F）。各揚聲器的距離以及右／左擺設方位讓您能夠控制音場（左／右／中）的寬度、中心以及全局和諧性，提供基礎讓您打造錄音精準度。



立體聲擺放方式

我們推薦您將揚聲器擺放形成一個等腰三角形。三角形的 3 個頂點為聆聽位置、右側揚聲器以及左側揚聲器（圖 G）。



多聲道擺放方式

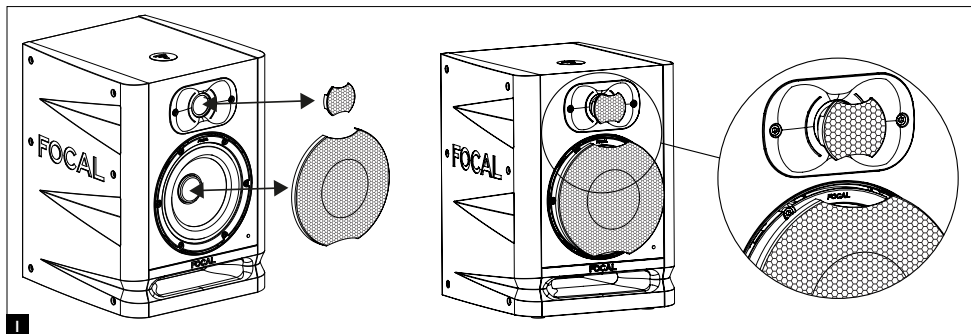
對於 5.1 聲道安裝，我們推薦您將揚聲器放置為一個圓形，使得它們與聆聽點等距。中央聲道位於 0° 位置，右前方聲道位於 30° 位置，右後方聲道位於 110° 位置，左後方聲道位於 250° 位置，且左前方聲道位於 330° 位置（圖 H）。

合運轉

ALPHA EVO 揚聲器中的換能器是複雜的機械組件，需要一段磨合運轉期，以達到最佳表現並適應您環境中的溫溼度條件。所需時間長短取決於情況不同而改變，而且可能需要數週。在頭幾個小時內，避免以高音量聆聽揚聲器。若要縮短磨合運轉期，建議您以含有豐富低頻的音樂，用中等音量操作各種產品連續大約 20 個小時。一旦換能器的特性穩定後，您就可以享受 Focal 產品的所有潛力。

插接／移除網罩

ALPHA EVO 揚聲器為高音喇叭與低音喇叭各提供一個網罩。若欲移除網罩，僅需使用手指拉動網罩上方與下方的缺口，請小心操作不要損傷高音喇叭或低音喇叭。若有必要，使用塑膠物體輕柔地將其卸下。若欲接上網罩，將網罩缺口與設計的對應插槽對準，並且輕柔地施力按壓（圖 I）。



ALPHA 50 EVO 與 ALPHA 65 EVO, ALPHA 80 EVO, ALPHA TWIN EVO 設定與連接 - 平衡式 - XLR

1 - XLR 插座讓您能夠連接對稱信號源，其使用標準纜線連接圖：接腳 1 = 接地（屏蔽）接腳 2 = 熱連接（同相信號）接腳 3 = 冷連接（反相信號）

此輸入的靈敏度為 +4dBu，對應於對稱音源的靈敏度。

2 - 平衡式 - TRS

TRS 插座讓您能夠連接對稱信號源，其使用標準纜線連接圖：尖端：熱點；環：冷點；封套：接地

此輸入的靈敏度為 +4dBu，對應於對稱音源的靈敏度。

3 - 非平衡式

RCA 插座讓您能夠連接非對稱信號源。「冷點」（接腳 3）通常連接到接地（接腳 1）。此連接通常在纜線內達成。此輸入的靈敏度為 -10dBV，對應於非對稱音源的靈敏度。

4 - 靈敏度

使用此功能來在需要的時候享有更高的音量。可用靈敏度為 0 與 +6dB。+6dB 位置提供益處，能在避免音效卡轉換器輸出級產生飽和的情況下，仍然能夠增加監聽設備音量。

5 - 開啟／關閉 (ON/OFF)

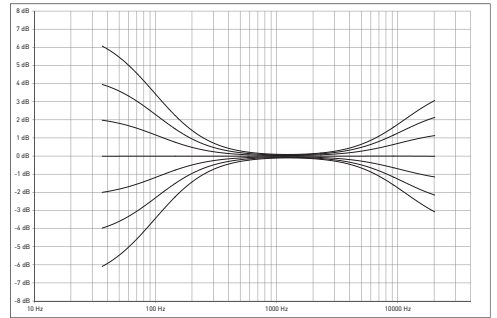
使用 ON/OFF 開關來將內部放大器切換為開啟 (ON) 或關閉 (OFF)。從 OFF 模式切換到 ON 模式的效果是揚聲器將設定為「待機」位置。若欲停用「待機」模式，傳送音頻信號到揚聲器，揚聲器會偵測信號並自動從「待機」模式切斷到「開啟」模式。

6 - 低頻擱架 (LF SHELIVING)

使用低頻擱架旋轉開關來對 300Hz 以下的聲音音量進行校正或停止校正。若聆聽位置的聲學環境會自然抑制此頻率範圍，建議將低頻擱架旋轉開關調整至 +2dB。若聆聽位置屬於聲學中性，建議您將低頻擱架旋轉開關調整至 0。若揚聲器放置於牆邊或角落時，建議您將低頻擱架旋轉開關調整至 -2、-4 或 -6dB。

7 - 高頻擱架 (HF SHELIVING)

使用高頻擱架旋轉開關來對 4.5kHz 以上的聲音音量進行校正或停止校正。若聆聽位置的聲學環境會自然抑制此頻率範圍（平整環境），建議將高頻擱架旋轉開關調整至 +2dB。若聆聽位置屬於聲學中性，建議您將高頻擱架旋轉開關調整至 0。若聆聽位置的聲學環境會自然增強此頻率範圍（亮音環境），建議將高頻擱架旋轉開關調整至 -2 或 -3dB。



8 - 市電插座

將所提供的電源纜線連接到此插座。

9 - 前 LED 燈

在揚聲器設定為 OFF 位置時，位於前面板上的 LED 燈關閉。當 ON/OFF 開關從 OFF 位置移動到 ON 位置時，LED 燈亮起。一旦偵測到音頻信號，揚聲器會從「待機」模式切換到「開啟」模式，且 LED 燈維持發光。未收到音頻信號約 15 分鐘後，揚聲器自動切換至「待機」模式，且 LED 燈關閉，以避免所有非必要的能源消耗。「待機」模式下消耗低於 0.5 瓦。欲停用此狀態，傳送音頻信號至揚聲器。揚聲器需要數秒鐘來從「待機」模式切換成「開啟」模式。

10 - 自動待機

ALPHA EVO 監聽設備均配備有「待機」模式，若必要可停用此模式。監聽設備出廠後，均設定至「啟用 (ENABLE)」位置。待機模式因而啟用。當您開啟監聽設備電源時，即啟用「待機」模式。若欲離開「待機模式」，以逐漸增加音源設備音量的方式，傳送音頻信號至監聽設備。在持續未接收到音頻信號大約 15 分鐘後，監聽設備將自動切換入「待機」模式。「待機」模式下功率消耗小於 0.5 瓦。您可以停用此自動待機模式。若欲進行停用，將開關移動至「停用 (DISABLE)」位置。在此開關在「停用」位置時，只要「開啟關閉 (ON-OFF) 開關」在「開啟」位置，揚聲器的電源就持續開啟。

11 - 壁掛／吸頂安裝

安裝點讓您可以使用 K&M 配件將 ALPHA EVO 監聽設備固定至牆面和／天花板。用於 ALPHA 50 EVO 和 65 的中心距為 70 mm。請使用 M6 螺釘。

欲取得與安裝插入件有關的額外資訊，請參考以下圖面。欲取得相容的 K&M® 產品的資訊，請參考下列表格。

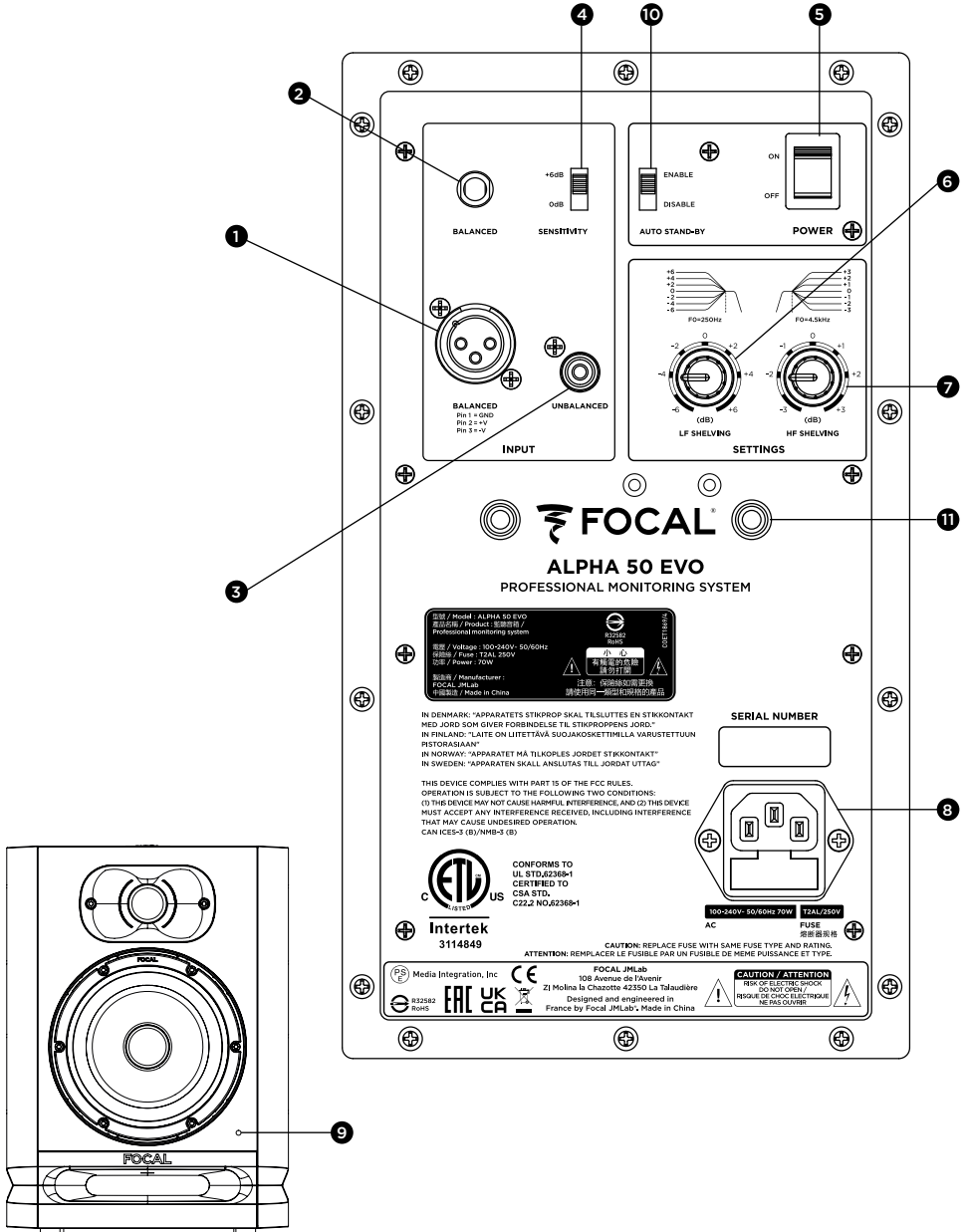


如同任何壁掛／吸頂安裝一樣，安裝監聽設備可能會有風險，並且在牆面、天花板和其他表面進行鑽孔和架設的方法需取決於所施行的建造、整修、安全以及纜線連接的條件和標準，並且需適用於所使用支架。因此，相關的鑽孔、架設和安裝操作必須由熟悉安裝與安全標準的合格專業人員進行。

Focal 不對任意支架或安裝提供使用終止保固，因監聽設備的安裝由客戶負完全責任。因此，若發生與監聽設備安裝有關的任何種類的脫鉤、掉落、意外及／或其他後果或損傷，Focal 不以任何身份負法律責任。

Focal 不對特定的支架、安裝位置或安裝方式提供任何保證，監聽器的安裝實施由客戶自行負責。因此，對於因安裝監聽器而引起的任何性質的脫落、墜落、事故和／或任何後果或損壞，Focal 概不負責。

	壁掛式安裝	吸頂式安裝
ALPHA 50 EVO	K&M® 24471 固定套件 + K&M® 24359 轉接架	K&M® 24496 固定套件 + K&M® 24359 轉接架
ALPHA 65 EVO	K&M® 24471 固定套件 + K&M® 24359 轉接架	K&M® 24496 固定套件 + K&M® 24359 轉接架
ALPHA 80 EVO	K&M® 24471 固定套件 + K&M® 24359 轉接架	K&M® 24496 固定套件 + K&M® 24359 轉接架
ALPHA TWIN EVO	K&M® 24167 固定套件	



系統	ALPHA 50 EVO	ALPHA 65 EVO	ALPHA 80 EVO	ALPHA TWIN EVO
• 頻率響應 (+/- 3dB)	45Hz - 22kHz	40Hz - 22kHz	38Hz - 22kHz	38Hz - 22kHz
• 最大聲壓級	101dB 聲壓級 (峰值 @ 1 米)	104dB 聲壓級 (峰值 @ 1 米)	106dB 聲壓級 (峰值 @ 1 米)	108dB 聲壓級 (峰值 @ 1 米)

電子部分

• 輸入 - 類型 / 阻抗 - 連接器	TRS: 對稱 10 千歐姆 XLR: 對稱 10 千歐姆 RCA: 非對稱 10 千歐姆, 具補償靈敏度			
• 中頻與低頻放大器	35 瓦	55 瓦	80 瓦	50 瓦
• 高頻放大器	25 瓦	30 瓦	35 瓦	30 瓦
• 自動待機模式 - 待機 - 待機經停用	未使用大約 15 分鐘後 藉由 > 6mV 的信號偵測			
• 電源供應 - 電壓	100-240V - (T2AL fuse/250V)			
- 連接	IEC 插座以及可拆式電源纜線			
• 設定 - 靈敏度 - 層級中段 / 低音 (0 - 250Hz) - 高音層級 (4.5 - 35kHz) - 電源開啟 / 關閉	可調, 0 或 +6dB 可調, +/-6dB 可調, +/-3dB 背板上之 On/off 開關			
• 待機功耗	< 0.5 W			
• 檢視和控制	開啟和關閉 LED 燈 - 待機 LED 燈			

換能器

• 低音喇叭	5" (13 公分) 石板纖維音盆	6.5" (16.5 公分) 石板纖維音盆	8" (20 公分) 石板纖維音盆	6.5" (16.5 公分) 石板纖維音盆
• 高音喇叭	25 mm (1"), 具鋁製倒穹頂			

箱體

• 構造	15mm (0.6") 中密度纖維板			
• 表面處理	乙烯基和黑色油漆			
• 尺寸 (包括 4 個橡膠墊腳) (HxWxD)	12.2 x 9 x 9.41" (310 x 228 x 239mm)	13.35 x 10.28 x 11.38" (339 x 261 x 289mm)	15.35 x 11.65 x 13" (390 x 296 x 330mm)	10.24 x 21.65 x 11.41" (260 x 550 x 290mm)
• 重量	5.95 公斤 (13.1 磅)	7.6 公斤 (16.8 磅)	9.8 公斤 (21.6 磅)	12.2 公斤 (26.9 磅)

Equipment name 設備名稱：監聽音箱 / Professional monitoring system， 型號（型式）：ALPHA 50 EVO Type designation (Type)						
單元 Unit	限用物質及其化學符號 Restricted substances and its chemical symbols					
	鉛Lead (Pb)	汞Mercury (Hg)	鎘Cadmium (Cd)	六價鉻 Hexavalent chromium (Cr ⁶⁺)	多溴聯苯 Polybrominated biphenyls (PBB)	多溴二苯醚 Polybrominated diphenyl ethers (PBDE)
外殼	○	○	○	○	○	○
面板	○	○	○	○	○	○
主機板	○	○	○	○	○	○
喇叭	○	○	○	○	○	○
配件(電源線)	○	○	○	○	○	○
其它固定組件 (螺絲、夾具、卡種)	○	○	○	○	-	-
<p>備考1. “超出0.1 wt %” 及 “超出0.01 wt %” 係指限用物質之百分比含量超出百分比含量基準值。</p> <p>Note 1: “Exceeding 0.1 wt %” and “exceeding 0.01 wt %” indicate that the percentage content of the restricted substance exceeds the reference percentage value of presence condition.</p> <p>備考2. “○” 係指該項限用物質之百分比含量未超出百分比含量基準值。</p> <p>Note 2: “○” indicates that the percentage content of the restricted substance does not exceed the percentage of reference value of presence.</p> <p>備考3. “-” 係指該項限用物質為排除項目。</p> <p>Note 3: The “-” indicates that the restricted substance corresponds to the exemption.</p>						

Equipment name 設備名稱：監聽音箱 / Professional monitoring system， 型號（型式）：ALPHA 65 EVO Type designation (Type)						
單元 Unit	限用物質及其化學符號 Restricted substances and its chemical symbols					
	鉛Lead (Pb)	汞Mercury (Hg)	鎘Cadmium (Cd)	六價鉻 Hexavalent chromium (Cr ⁶⁺)	多溴聯苯 Polybrominated biphenyls (PBB)	多溴二苯醚 Polybrominated diphenyl ethers (PBDE)
外殼	○	○	○	○	○	○
面板	○	○	○	○	○	○
主機板	○	○	○	○	○	○
喇叭	○	○	○	○	○	○
配件(電源線)	○	○	○	○	○	○
其它固定組件 (螺絲、夾具、卡種)	○	○	○	○	-	-
<p>備考1. “超出0.1 wt %” 及 “超出0.01 wt %” 係指限用物質之百分比含量超出百分比含量基準值。</p> <p>Note 1: “Exceeding 0.1 wt %” and “exceeding 0.01 wt %” indicate that the percentage content of the restricted substance exceeds the reference percentage value of presence condition.</p> <p>備考2. “○” 係指該項限用物質之百分比含量未超出百分比含量基準值。</p> <p>Note 2: “○” indicates that the percentage content of the restricted substance does not exceed the percentage of reference value of presence.</p> <p>備考3. “-” 係指該項限用物質為排除項目。</p> <p>Note 3: The “-” indicates that the restricted substance corresponds to the exemption.</p>						

Equipment name 設備名稱：監聽音箱 / Professional monitoring system， 型號（型式）：ALPHA 80 EVO Type designation (Type)							
單元 Unit	限用物質及其化學符號 Restricted substances and its chemical symbols						
	鉛Lead (Pb)	汞Mercury (Hg)	鎘Cadmium (Cd)	六價鉻 Hexavalent chromium (Cr ⁶⁺)	多溴聯苯 Polybrominated biphenyls (PBB)	多溴二苯醚 Polybrominated diphenyl ethers (PBDE)	
外殼	○	○	○	○	○	○	○
面板	○	○	○	○	○	○	○
主機板	○	○	○	○	○	○	○
喇叭	○	○	○	○	○	○	○
配件(電源線)	○	○	○	○	○	○	○
其它固定組件 (螺絲、夾具、 卡榫)	○	○	○	○	-	-	-
備考1. “超出0.1 wt %”及“超出0.01 wt %”係指限用物質之百分比含量超出百分比含量基準值。 Note 1: “Exceeding 0.1 wt %” and “exceeding 0.01 wt %” indicate that the percentage content of the restricted substance exceeds the reference percentage value of presence condition.							
備考2. “○”係指該項限用物質之百分比含量未超出百分比含量基準值。 Note 2: “○” indicates that the percentage content of the restricted substance does not exceed the percentage of reference value of presence.							
備考3. “-”係指該項限用物質為排除項目。 Note 3: The “-” indicates that the restricted substance corresponds to the exemption.							

Equipment name 設備名稱：監聽音箱 / Professional monitoring system， 型號（型式）：ALPHA TWIN EVO Type designation (Type)							
單元 Unit	限用物質及其化學符號 Restricted substances and its chemical symbols						
	鉛Lead (Pb)	汞Mercury (Hg)	鎘Cadmium (Cd)	六價鉻 Hexavalent chromium (Cr ⁶⁺)	多溴聯苯 Polybrominated biphenyls (PBB)	多溴二苯醚 Polybrominated diphenyl ethers (PBDE)	
外殼	○	○	○	○	○	○	○
面板	○	○	○	○	○	○	○
主機板	○	○	○	○	○	○	○
喇叭	○	○	○	○	○	○	○
配件(電源線)	○	○	○	○	○	○	○
其它固定組件 (螺絲、夾具、 卡榫)	○	○	○	○	-	-	-
備考1. “超出0.1 wt %”及“超出0.01 wt %”係指限用物質之百分比含量超出百分比含量基準值。 Note 1: “Exceeding 0.1 wt %” and “exceeding 0.01 wt %” indicate that the percentage content of the restricted substance exceeds the reference percentage value of presence condition.							
備考2. “○”係指該項限用物質之百分比含量未超出百分比含量基準值。 Note 2: “○” indicates that the percentage content of the restricted substance does not exceed the percentage of reference value of presence.							
備考3. “-”係指該項限用物質為排除項目。 Note 3: The “-” indicates that the restricted substance corresponds to the exemption.							

يجب قراءة هذا الدليل قبل الاستعمال! تعليمات هامة تتعلق بالسلامة!

	<div style="text-align: center; background-color: black; color: white; padding: 5px;">CAUTION</div> <div style="text-align: center; background-color: black; color: white; padding: 5px;">RISK OF ELECTRIC SHOCK</div> <div style="text-align: center; background-color: black; color: white; padding: 5px;">DO NOT OPEN</div>	
<p>تحذر علامة التحجب في مثلث متساوي الأضلاع المستخدم أن الدليل يحتوي على إرشادات مهمة حول كيفية استخدام الجهاز والعناية به.</p>	<p>تحذير: للوقاية من التعرض لأي صدمة كهربائية، يجب عدم فك الغطاء (أو الجزء الخلفي (الظهر)) من الجهاز. لا توجد بهذا الجهاز قطع يمكن للمستخدم صيانتها. فالرجاء الاتصال بفني مؤهل للقيام بأعمال الصيانة والإصلاح.</p>	<p>تحذر علامة صاعقة البرق في مثلث متساوي الأضلاع المستخدم من أن الجهاز به فولتية عالية يمكن أن ينتج عنها خطر التعرض لصدمة كهربائية.</p>
<p>26. إذا تم نقل هذا الجهاز من بيئة باردة إلى بيئة دافئة فيجب التحقق من عدم حدوث تكاثف قبل توصيل كابل الطاقة.</p> <p>27. يجب عدم وضع مصادر لهب مكشوف مثل الشموع المشتعلة على هذا الجهاز.</p> <p>28. يجب توصيل هذا الجهاز بنوع التغذية الكهربائية الرئيسية المبين على الملصق المثبت على الجهاز. وفي حالة عدم التأكد من نوع التغذية الكهربائية الرئيسية فيجب التحقق من ذلك من بائع التجزئة أو شركة الكهرباء. وبالنسبة للأجهزة المصممة للاستخدام بطاقة بطارية أو مصدر طاقة آخر، الرجاء مراجعة دليل المستخدم.</p> <p>29. يجب دائماً ترك مسافة قدرها 5 سم (بوصة) على الأقل حول الجهاز من أجل التهوية السليمة.</p> <p>30. عند الحاجة إلى مكونات بديلة (قطع غيار)، يجب الحرص على أن يستخدم فني الصيانة المكونات التي توصي بها الشركة المصنعة أو مكونات بنفس المواصفات الفنية للجهاز الأصلي. فاستخدام مكونات غير متوافقة يمكن أن يتسبب في نشوب حريق أو صدمة كهربائية أو مخاطر أخرى.</p> <p>31. بعد أي أعمال صيانة أو إصلاح بالجهاز، يجب أن يُطلب من الفني اختباره للتحقق من أنه يعمل بأمان.</p> <p>32. للوقاية من تضرر السمع، ممنوع الاستماع لمكبرات الصوت بمستويات صوت عالية لفترات زمنية طويلة. فالاستماع لها بمستويات صوت عالية يمكن أن يتسبب في تضرر أذن المستخدم وقد يؤدي إلى مشاكل في السمع (صمم مؤقت أو دائم، أزيز في الأذن، الطنين، احتداد (جدة) السمع).</p> <p>والتعرض لمستويات صوت مفرطة (أكثر من 85 ديسيبل) لأكثر من ساعة يمكن أن يتسبب في ضرر في السمع لا يمكن علاجه.</p>	<p>15. هذا المنتج هو جهاز من الفئة 1. يجب توصيل الكهرباء لهذا الجهاز فقط باستخدام قابس الكهرباء (الفيشة الذكر) المزود معه، والذي يشتمل على توصيلة أرضي. ويجب توصيل هذا الجهاز بمأخذ (فيشة أنثى) كهرباء مؤرض.</p> <p>16. عند استخدام مفاتيح التشغيل / إيقاف التشغيل أو قابس الكهرباء أو المشترك الموصل بالجهاز لفصله عن الكهرباء يجب أن يظل الجهاز سهل الوصول إليه.</p> <p>17. تحذير: للحد من خطر نشوب حريق أو التعرض لصدمة كهربائية، ممنوع تعريض الجهاز للماء أو المطر أو الرطوبة. كما يجب عدم تعريضه للتنظيف أو الترشاش أو وضع شيء مملوء بالسوائل مثل الزهريات (الفاشات) عليه.</p> <p>18. ممنوع سد فتحات التهوية.</p> <p>19. يجب عدم إدخال أي أجسام في فتحات تهوية الجهاز؛ فقد تتلامس مع مكون من مكونات الفولتية العالية أو تحدث بها قصوراً في الدائرة وتتسبب في نشوب حريق أو صدمة كهربائية. ويجب عدم سكب سوائل على الجهاز.</p> <p>20. يجب على المستخدم عدم محاولة إصلاح هذا الجهاز نفسه؛ ففتح الجهاز قد يعرضه لفولتيات خطيرة أو لمخاطر أخرى. ويجب الاتصال بفني مؤهل للقيام بكافة أعمال الصيانة.</p> <p>21. يجب استخدام الجهاز في درجة حرارة محيطية لا تتجاوز 45 درجة مئوية بحد أقصى.</p> <p>22. ممنوع استخدام هذا الجهاز في المناخ المداري.</p> <p>23. ممنوع استخدام هذا الجهاز على ارتفاعات تتجاوز 2000 متر (6500 قدم).</p> <p>24. يجب عدم وضع حمل زائد على مأخذ (فيشة) الجدار ككابلات المشتركات أو المآخذ متعددة الفتحات لأن ذلك يمكن أن يتسبب في نشوب حريق أو التعرض لصدمة كهربائية.</p> <p>25. يجب عدم تعليق هذا الجهاز على جدار أو سقف ما لم تحدد ذلك الشركة المصنعة.</p>	<p>1. الرجاء قراءة هذه الإرشادات.</p> <p>2. الرجاء الاحتفاظ بهذه الإرشادات.</p> <p>3. الرجاء اتباع كافة التحذيرات.</p> <p>4. الرجاء تطبيق كافة الإرشادات.</p> <p>5. ممنوع استخدام هذا الجهاز بالقرب من الماء.</p> <p>6. يتم التنظيف باستخدام قطعة قماش جافة فقط.</p> <p>7. ممنوع سد أي فتحات تهوية. يجب التركيب طبقاً لإرشادات الشركة المصنعة.</p> <p>8. ممنوع التركيب بالقرب من أي مصادر حرارة مثل النفايات أو شبكات الحرارة أو المواقف أو الأجهزة الأخرى (بما في ذلك المضخات) التي تتبعت منها الحرارة.</p> <p>9. ممنوع إبطال غرض الأمان للقابس (الفيشة) المزود بغطاية. وهو مزود بمساميرين أحدهما معرض من الآخر. وتم توفير المسامير العريضة لسلامتك. وإذا لم يتوافق قابس الجهاز (الفيشة الذكر) مع مأخذ الكهرباء (فيشة الجدار) فيجب استشارة فني كهربائي لاستبدال المآخذ المتأدّم.</p> <p>10. يجب حماية كابل الطاقة من السير أو الضغط عليه خاصة عند القابس (الفيشة) والمشاركات ونقطة خروجه من الجهاز.</p> <p>11. يجب فقط استخدام ملحقات (اكسسوارات) معتمدة من الشركة المصنعة.</p> <p>12. يجب الاستخدام فقط مع العربية أو الحامل أو المنصب الثلاثي (الأرجل) أو الطاوله المحددة من الشركة المصنعة، (ملاحظة) مع الجهاز. وعند استخدام عربية، يجب الحذر عند تحريكها أو تحريكها والجهاز معاً لتجنب التعرض لإصابة بسبب الانقلاب.</p> <p>13. يجب فصل هذا الجهاز عن الكهرباء أثناء العواصف البرقية أو في حالة عدم استخدامه لفترة طويلة.</p> <p>14. يجب أن يقوم فنيو خدمة مؤهلون بكافة أعمال الخدمة والصيانة. ويتطلب الجهاز أعمال خدمة وصيانة عند تعرضه للتلوث لأي سبب من الأسباب، على سبيل المثال تلف كابل الطاقة أو القابس (الفيشة) الذكر، أو انسكاب سائل في الجهاز أو سقوط أجسام فيه، أو تعرضه للمطر أو الرطوبة، أو أنه لا يعمل بالطريقة المعتادة، أو عند تعرضه للسقوط.</p>

الرجاء تفعيل ضمان Focal-JMlab الخاص بك،
يمكنك الآن تسجيل منتجك عبر الإنترنت على موقع:
www.focal.com/warranty



لقد اشتريت للتو منتج من منتجات Focal ونحن نشكرك على ذلك. مرحبًا بك في عالمنا، وهو عالم الدقة العالية. إن الابتكار والأصالة والامتياز والمتعة هي من قيمنا؛ وهدفنا الوحيد هو أن نقدم لك صوت نقي وأصلي ورائع. من أجل الاستفادة الكاملة من أداء هذا المنتج، فإننا ننصحك بقراءة التعليمات الواردة في هذا الكتيب، ثم الاحتفاظ به بعناية من أجل الرجوع إليه مستقبلاً.

محتوى العلب

يُباع مكبر الصوت مصحوبًا بالعناصر التالية (بخلاف الكتيب الحالي):

- 1 كابل الكهرباء
- 1 شبكة حماية لمكبر الصوت عالي التردد (نصيحتنا هي نزعها للاستماع في أقرب وقت).
- 1 شبكة حماية لمكبر الصوت منخفض التردد (نصيحتنا هي نزعها للاستماع ما أمكن ذلك)
- 4 أوتاد مطاطية

تأكد من وجود كل هذه العناصر وأخرج الملحقات كافة من الكرتون. حتى لا يحدث تلف للمنتجات أثناء إخراجها من العبوة، برجااء مراعاة المراحل التالية: افتح أغطية الكرتون تمامًا. واتنبيها على الجوانب. انزع الحماية العلوية. ارفع مكبر الصوت بحرص. تحقق من عدم وجود أي علامات تلف على العلب. وإذا كانت متضررة، فيجب إخطار شركة النقل والمورد. من المهم الاحتفاظ بالعبوة في حالة جيدة لإمكانية استخدامها مستقبلاً.

التوصيات

نود أن نشير إلى أنه يمكن لمنتجاتك إحداث ضغط صوتي عالٍ، لا سيما عند الضبط 1، 5. بما أن مستوى التشويش منخفض ومستوى إرهاق المستخدم قليل، فليس من السهل دائمًا إدراك ضغط الصوت الفعلي. تذكر أن التعرض لمستويات صوتية عالية بعد مدة معينة يمكن أن يؤدي إلى فقدان السمع بشكل لا رجعة فيه.

شروط الضمان

ففي بلدك. Focal مشمولة بضمان يمنحه الموزع الرسمي لمكبرات Focal مكبرات الصوت من يزودك موزعك بجميع التفاصيل المتعلقة بالضمان. يمتد الضمان ليشمل على الأقل ما مُنح بموجب الضمان القانوني الساري في البلد الذي أصدرت فيه فاتورة الشراء الأصلية.

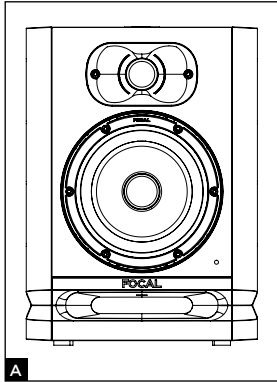
البداية السريع

1. قبل القيام بأي شيء، تحقق أن مكبرات الصوت ومصدر الصوت (وحدة التحكم، ...) في وضع إيقاف التشغيل وأن كل الإعدادات الموجودة في الجزء الخلفي من مكبرات الصوت في وضع 0.
2. قم بتوصيل الإشارة الصوتية القادمة من المصدر بمكبرات الصوت باستخدام المداخل XLR أو RCA أو TRS. يمكنك التوصيل حتى ثلاثة مصادر بكل مكبر صوت عن طريق المداخل الثلاثة المتوفرة. ومع ذلك، المدخل TRS له الأولوية على المدخل XLR. يُجمع المدخل RCA مع المدخل TRS أو XLR. لمزيد من المعلومات، راجع الصفحة 68.
3. استخدم كابل الطاقة المُباع لتوصيل مكبر الصوت بالتيار.
4. قم بتوصيل مصدر الصوت بالكهرباء وتأكد أن مستوى إخراج مصدر الصوت المتصل بمكبر الصوت عند مستوى ∞ أو عند مستوى منخفض جدًا.
5. قم بتوصيل مكبرات الصوت بالتيار. مكبرات الصوت الآن على وضع "الاستعداد".
6. قم بزيادة مستوى مصدر الصوت حتى اكتشاف مكبرات الصوت للإشارة من أجل أن تنتقل تلقائيًا إلى وضع "التشغيل".



بعد توصيل مكبرات الصوت بالتيار الكهربائي، وبعد التفعيل التلقائي لوضع الاستعداد (راجع صفحة 68 لمزيد من المعلومات عن هذه الوظيفة)، تنتقل دائرة اكتشاف الإشارة الصوتية الموجودة في مكبر الصوت تلقائيًا من وضع "الاستعداد" إلى وضع "التشغيل" بعد عدة ثوانٍ.

7. عند الانتهاء من التسجيل أو مزج الأصوات أو عمل النسخة الأصلية، ننصحك بإيقاف تشغيل الأجهزة بالترتيب التالي:
 - a. إيقاف مكبرات الصوت
 - b. إيقاف تشغيل مصادر الصوت



ALPHA 50 EVO

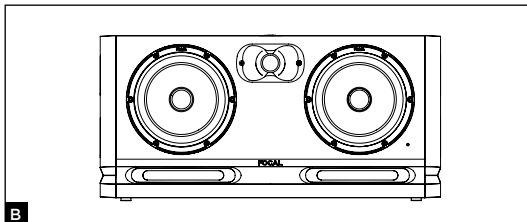
مكبر الصوت ALPHA 50 EVO هو مكبر صوت مهني للتحكم عن قرب في قناتين نشطتين (2 مضخم صوت داخليين)، مكون من مكبر الصوت الجهير / المتوسط بقطر 5 بوصة (13 سم) ذو غشاء مصنوع من Slatefiber، تحمله فتحة رقائعية من القطع الكبيرة ومكبر صوة عالي التردد ذو قيمة مقنونة من الألمونيوم (شكل A).

ALPHA 65 EVO

مكبر الصوت ALPHA 65 EVO هو مكبر صوت مهني للتحكم عن قرب في قناتين نشطتين (2 مضخم صوت داخليين)، مكون من مكبر الصوت الجهير / المتوسط بقطر 6,5 بوصة (16,5 سم) ذو غشاء مصنوع من Slatefiber، تحمله فتحة رقائعية من القطع الكبيرة ومكبر الصوت عالي التردد ذو قيمة مقنونة من الألمونيوم (شكل A).

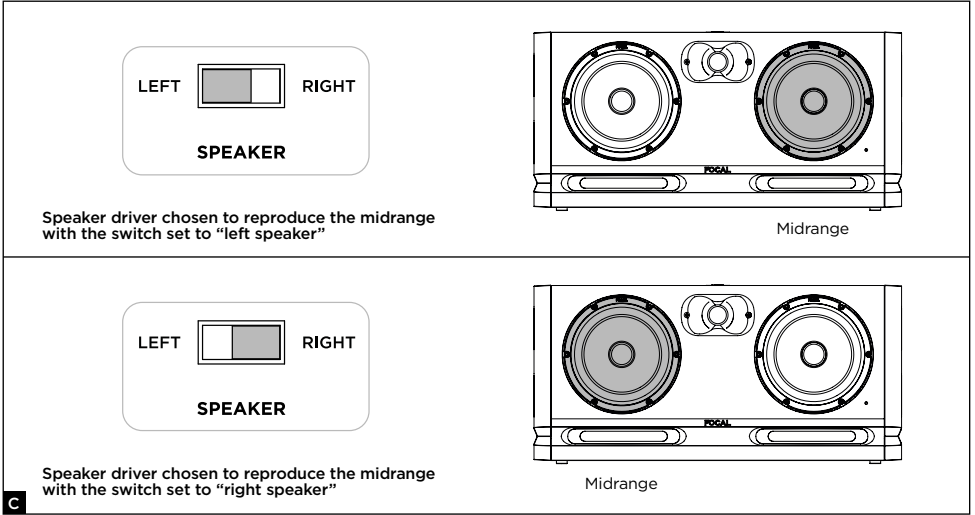
ALPHA 80 EVO

مكبر الصوت ALPHA 80 EVO هو مكبر صوت مهني للتحكم عن قرب في قناتين نشطتين (2 مضخم صوت داخليين)، مكون من مكبر الصوت الجهير / المتوسط بقطر 8 بوصة (20 سم) ذو غشاء مصنوع من Slatefiber، تحمله فتحة رقائعية من القطع الكبيرة ومكبر الصوت عالي التردد ذو قيمة مقنونة من الألمونيوم (شكل A).



ALPHA TWIN EVO

مكبر الصوت ALPHA TWIN EVO هو مكبر صوت مهني للتحكم عن قرب في قناتين نشطتين (3 مضخم صوت داخليين)، مكون من مكبر الصوت الجهير / المتوسط بقطر 6,5 بوصة (16,5 سم) ذو غشاء مصنوع من Slatefiber، تحمله فتحة رقائعية من القطع الكبيرة ومكبر الصوت عالي التردد ذو قيمة مقنونة من الألمونيوم (شكل B).

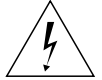


C

التركيب

التغذية بالتيار الكهربائي

يجب توصيل الأجهزة بمقياس كهربائي مؤرض باستخدام كابل الطاقة المزود.



انتبه

يمكنك التوصيل حتى ثلاثة مصادر بكل مكبر صوت عن طريق المداخل الثلاثة المتوفرة: المداخل الثلاثة (XLR و RCA و TRS) نشطة في آن واحد. من أجل الاستفادة كاملاً من هذه الوظيفة، توصيك بتوصيل أحد هذه المخارج فقط بالتيار لتجنب أي تلوث صوتي غير مرغوب فيه.

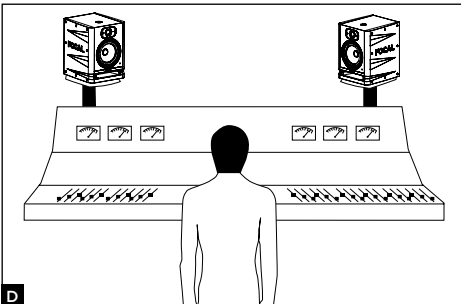


وضع الاستعداد التلقائي

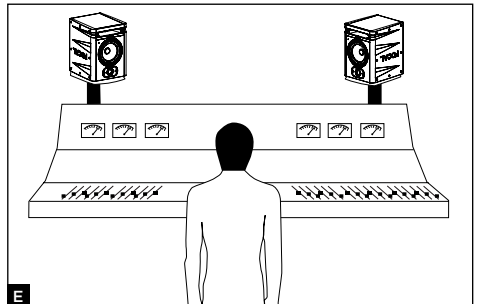
السماعات ALPHA EVO مزودة بوضع "الاستعداد". عندما تقوم بتشغيل السماعات، ويكون وضع "الاستعداد" نشطاً. لإيقاف وضع "الاستعداد"، أرسل إشارة صوتية إلى السماعة مع زيادة مستوى الصوت تدريجياً من مصدر الصوت. بعد مرور حوالي 15 دقيقة دون تلقي إشارة صوتية، تنتقل السماعات تلقائياً إلى وضع "الاستعداد". استهلاك الكهرباء أقل من 0,5 واط في وضع "الاستعداد". يمكن إيقاف وظيفة وضع "الاستعداد" هذه بواسطة الزر Auto Stand-by (صفحة 69).

تحديد الموضع

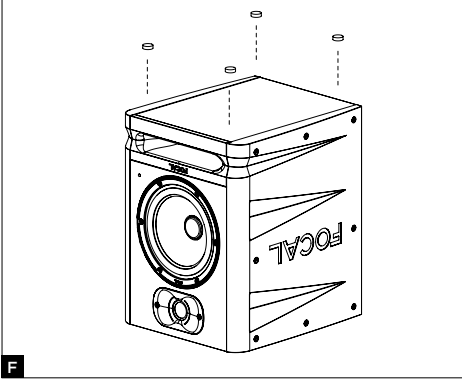
مكبرات الصوت ALPHA EVO هي مكبرات صوت يتم التحكم فيها عن قرب ويجب وضعها على مسافة بين 40 سم و 3 أمتار من المستمع، وموجهة ناحيته. يمكن وضعها بشكل مثالي أعلى وحدة مزج الأصوات أو وضعها على قوائم مناسبة؛ مع العلم أنه في جميع الحالات يوصى بشدة أن يكون ارتفاع مكبر الصوت عالي التردد قريباً نسبياً من ارتفاع أذني المستمع. إذا لزم الأمر، يمكنك تماماً عكس الوضع الطبيعي لمكبرات الصوت ووضع المجهر عالي التردد في الأسفل بحيث يقترب من هذه القاعدة. يجب وضع مكبرات الصوت ALPHA EVO رأسياً وموجهة نحو المستمع (الشكلين D, E)



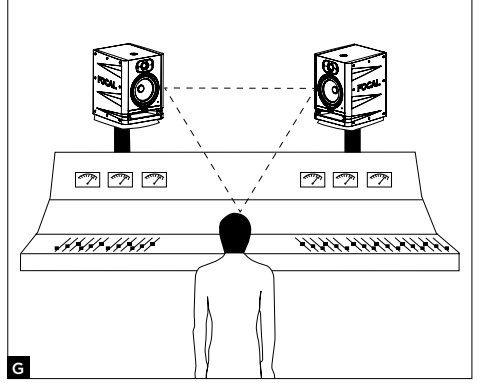
D



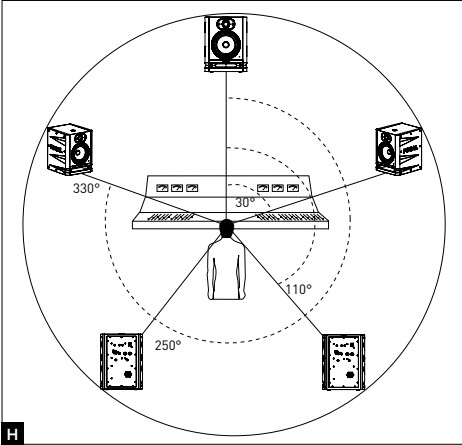
E



يعد تحديد موضع، لديك 4 أوتاد مطاطية لفصل مكبرات الصوت عن الحامل الخاص بها (شكل F). يتيح لك التباعد والتوجيه يمين / يسار لكل مكبر صوت أو تتحكم في العرض والمركز والتجانس الشامل للصوت (يسار / وسط / يمين)، وفي المصدر وفي دقة التسجيلات.



نحن نوصي بوضع مكبرات الصوت بحيث تكون مثلث متساوي الأضلاع. بما أن الزوايا الثلاثة تتكون من موضع الاستماع ومكبر الصوت الأيمن ومكبر الصوت الأيسر (شكل G).



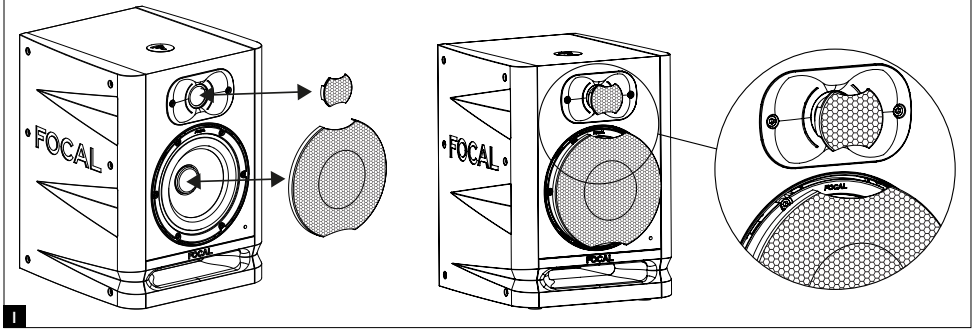
تحديد موضع القنوات المتعددة
في إطار التركيب 5.1 نوصيك بوضع مكبرات الصوت على دائرة، بحيث تكون مكبرات الصوت متساوية البعد عن نقطة الاستماع. يتم وضع القناة الرئيسية على صفر درجة، والقناة الأمامية اليمنى على 30 درجة، والقناة الخلفية اليمنى على 110 درجة، والقناة الخلفية اليسرى على 250 درجة والقناة الأمامية اليسرى على 330 درجة (شكل H).

الترويض

محولات الطاقة المستخدمة في مكبرات الصوت ALPHA EVO هي عبارة عن مكونات ميكانيكية معقدة تتطلب وقتاً معيناً للتكيف حتى تعمل بأفضل مستوى لها وتتألم مع درجة الحرارة والرطوبة داخل بيئة الاستماع. تختلف هذه الفترة حسب الظروف التي تمت مواجهتها ويمكن أن تمتد لعدة أسابيع. تجنب الاستماع لمكبرات الصوت على مستوى مرتفع خلال الساعات الأولى. من أجل تسريع العملية، ننصحكم بتشغيل مختلف الأجهزة لمدة عشرين ساعة تقريباً على مستوى متوسط، على برامج موسيقية غنية بالترددات المنخفضة. وما إن تستقر كل خصائص محولات الطاقة، سوف تتمكن من الاستمتاع بأداء مكبرات Focal الخاصة بك لأقصى درجة.

إدخال / سحب الشبكة

شبكة المجهاز عالي التردد وشبكة مكبر الصوت منخفض التردد مُباعَتين مع مكبرات الصوت ALPHA EVO. لسحب الشبكة، ما عليك سوى أن تسحب بالأصابع عند الفتحات في الجزء العلوي والسفلي من الشبكة، مع الحرص على عدم إتلاف مكبر الصوت عالي التردد أو مكبر صوت منخفض التردد. إذا لزم الأمر، استخدم شبيهاً بلاستيكيًا ليعمل كرافعة واستخدمه برفق. لإدخال الشبكة، ضع فتحات الشبكة مقابل المواضع المخصصة لها واضغط تدريجيًا (شكل 1).



الضبط والتوصيل ALPHA TWIN EVO و ALPHA 80 EVO و ALPHA 65 EVO و ALPHA 50 EVO

BALANCED - XLR - 1

يتيح المقياس XLR توصيل مصدر إشارة متناظرة واستخدام مخطط توصيل الكابلات بشكل قياسي: بنز 1 = الكتلة (التدريج) بنز 2 = نقطة ساخنة (إشارة داخل الموجة) بنز 3 = نقطة باردة (إشارة خارج الموجة)
هذا المدخل مزود بحساسية +4dBu المقابلة لحساسية المصادر المتناظرة.

BALANCED - TRS - 2

يتيح المقياس TRS توصيل مصدر إشارة متناظرة واستخدام مخطط توصيل الكابلات بشكل قياسي: Tip: نقطة ساخنة (الطرف) Ring: نقطة باردة (الحلقة) Sleeve: الكتلة (الجسم)
هذا المدخل مزود بحساسية +4dBu المقابلة لحساسية المصادر المتناظرة.

UNBALANCED - 3

يتيح المقياس RCA توصيل مصدر إشارة غير متناظرة، ومن المعتاد توصيل "النقطة الباردة" (بنز 3) بالكتلة (بنز 1). يتم هذا التوصيل بشكل عام في الكابلات. هذا المدخل مزود بحساسية -10dBu فولط المقابلة لحساسية المصادر غير المتناظرة.

SENSITIVITY - 4

تتيح هذه الوظيفة الاستفادة من مستوى صوت أعلى، إذا لزم الأمر. الحساسية المتاحة هي من صفر إلى +6dBu. يوفر وضع +6dBu ميزة القدرة على زيادة مستوى الصوت للشاشة مع تجنب أي تشبع في مرحلة إخراج المحول أو بطاقة الصوت.

ON/OFF - 5

يسمح زر الاختيار ON/OFF بتوصيل الكهرباء لمضخمات الصوت الداخلية أو فصلها عن التيار. الانتقال من وضع OFF إلى وضع ON من شأنه وضع مكبر الصوت في وضع "الاستعداد". لإيقاف وضع "الاستعداد"، قم بإرسال إشارة صوتية إلى مكبر الصوت والذي سوف يقوم باكتشافها وينتقل تلقائيًا من وضع الاستعداد إلى وضع "التشغيل".

LF SHELVEING - 6

يتيح مقياس الجهد LF SHELVEING تنشيط أو عدم تنشيط تصحيح مستوى الصوت الأقل من 300 هرتز. يُنصح بضبط مقياس الجهد LF SHELVEING على 2+ ديسيبل عندما تكون الخصائص السمعية لمكان الاستماع تخفف بشكل طبيعي من نطاق هذا التردد. يُنصح بضبط مقياس الجهد LF SHELVEING على 0 ديسيبل عندما يكون مكان الاستماع محايد من الناحية الصوتية. يُنصح بضبط مقياس الجهد LF SHELVEING على -2 أو -4 أو -6 ديسيبل عندما تكون مكبرات الصوت موضوعة على مقربة من حائط أو زاوية.

HF SHELVEING - 7

يتيح مقياس الجهد HF SHELVEING تنشيط أو عدم تنشيط تصحيح مستوى الصوت ابتداء 4.5 كيلو هرتز. يُنصح بالضغط على 2+ ديسيبيل عندما تكون الخصائص السمعية لمكان الاستماع تخفف بشكل طبيعي من نطاق هذا التردد (بيئة مكتمة). يُنصح بالضغط على 0 عندما يكون مكان الاستماع محايد من الناحية الصوتية. يُنصح بالضغط على -2 أو -3 ديسيبيل عندما تكون الخصائص السمعية لمكان الاستماع تزيد بشكل طبيعي من نطاق هذا التردد (البيئة اللامعة).

8 - مقياس الطاقة

قم بتوصيل كابل الطاقة المُباع مع هذه القاعدة.

9 - لمبة DEL على الوجه الأمامي

تكون لمبة DEL الموجودة على اللوحة الأمامية مطفأة عندما يكون مكبر الصوت في وضع الإيقاف OFF. وتكون مضائة عندما ينقل مفتاح قطع التيار ON / OFF إلى وضع الإيقاف OFF إلى وضع التشغيل ON. عندما يكشف مكبر الصوت إشارة صوتية ينتقل من وضع "الاستعداد" إلى وضع "التشغيل" وتظل لمبة DEL مضائة. بعد مرور 15 دقيقة بدون استقبال إشارة صوتية، ينتقل مكبر الصوت تلقائيًا إلى وضع "الاستعداد" وتتطفئ لمبة DEL، وذلك لتجنب استهلاك الطاقة غير الضروري. استهلاك الطاقة في وضع "الاستعداد" هو أقل من 0,5 واط. لإيقاف وضع الاستعداد، قم بإرسال إشارة صوتية إلى مكبر الصوت. الوقت اللازم للانتقال من وضع "الاستعداد" إلى وضع "التشغيل" هو في حدود عدة ثوان.

AUTO STANDBY - 10

السماعات ALPHA EVO مزودة بوضع "الاستعداد" الذي يمكن إيقافه عند الحاجة. عند خروج السماعات من المصنع، تكون مضبوطة على وضع "ENABLE". وهكذا يكون وضع الاستعداد نشطًا. عندما تقوم بتشغيل السماعات، يكون وضع "الاستعداد" نشطًا للخروج من وضع "الاستعداد"، أرسل إشارة صوتية إلى السماعة مع زيادة مستوى الصوت تدريجيًا من مصدر الصوت. بعد حوالي 15 دقيقة دون تلقي إشارة صوتية، تدخل السماعات تلقائيًا في وضع "الاستعداد". في وضع الاستعداد، يكون استهلاك الكهرباء أقل من 0,5 واط. يمكن إيقاف الانتقال التلقائي لوضع الاستعداد. للقيام بهذا، ضع زر الاختيار على الوضع "DISABLE". في وضع "DISABLE"، يكون مكبر الصوت موصولًا دائمًا بالكهرباء، وذلك بعد تفعيل زر التيار "ON/OFF" على الوضع "ON".

11 - التثبيت على الحائط أو في السقف، أو كليهما

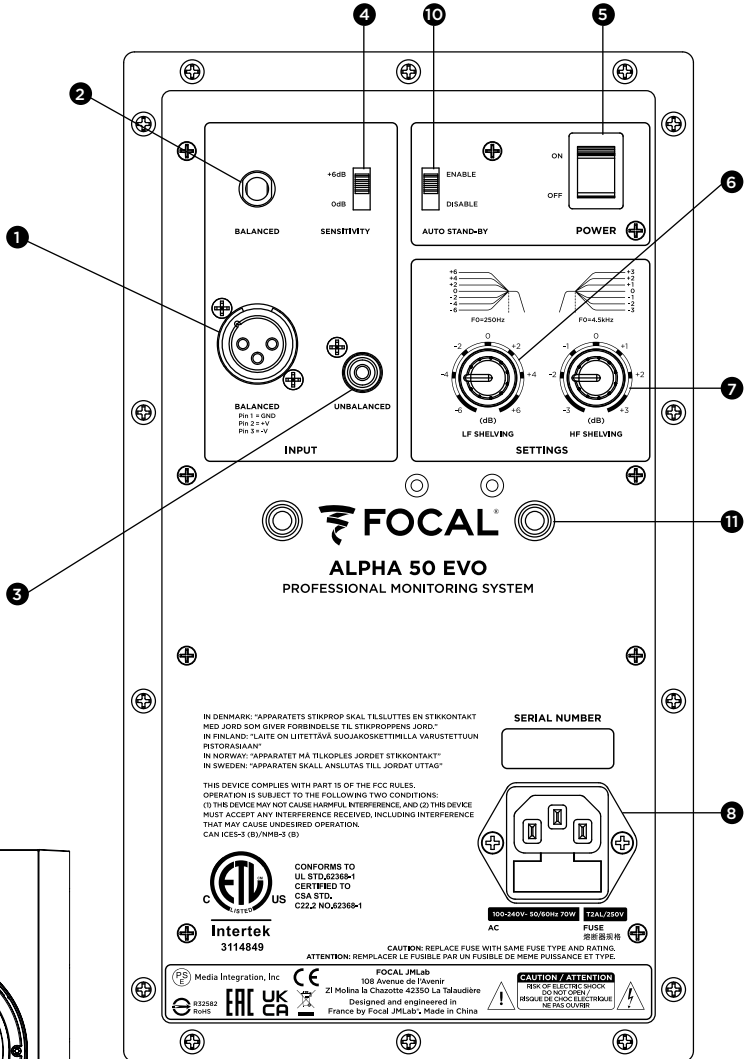
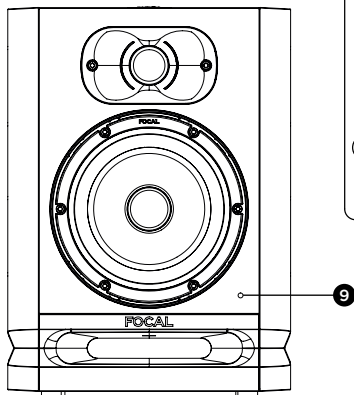
تتيح نقاط التثبيت تثبيت السماعات ALPHA EVO على الحائط أو في السقف، أو كليهما باستخدام الملحقات K&M®. المسافة بين المحورين هي 70 سم بالنسبة للموديلين ALPHA 50, 65, 80 EVO. استخدم براغي مقاس M6.

يُرجى الرجوع إلى الرسومات التخطيطية أدناه لأية معلومات إضافية مرتبطة بولانج التثبيت. يُرجى الرجوع إلى الجدول أدناه لمعرفة أرقام K&M® المتوافقة.

ومثل أية عملية تثبيت على الحائط أو في السقف، يمكن أن تنطوي عملية تثبيت السماعات على مخاطر وطرق الثقب والتثبيت على الجدران أو في الأسقف أو أية أسطح أخرى تستوفي شروط ومعايير البناء والتصميم والسلامة وتركيب الكابلات السارية المطبقة على الحوامل المعنية بهذه الشروط. ولهذا السبب يجب أن تتم عمليات الثقب والتثبيت والتركيب بمعرفة مهني مؤهل ومطلع على معايير التركيب والسلامة. شركة Focal لا تعطي أي ضمان للحامل أو لتركيبة معين، وتنفيذ تركيب السماعات هو أمر يخص العميل. ولا تعد شركة Focal مسؤولة بأي حال من الأحوال في حالة تفكك أو سقوط أو وقوع حادث و / أو أي نتيجة أخرى أو تلف من أي نوع يكون مرتبطًا بتركيب السماعات.



	التثبيت على الحائط	التثبيت في السقف
ALPHA 50 EVO	طقم التثبيت K&M® 24471 + محول K&M® 24359	طقم التثبيت K&M® 24496 + محول K&M® 24359
ALPHA 65 EVO	طقم التثبيت K&M® 24471 + محول K&M® 24359	طقم التثبيت K&M® 24496 + محول K&M® 24359
ALPHA 80 EVO	طقم التثبيت K&M® 24471 + محول K&M® 24359	طقم التثبيت K&M® 24496 + محول K&M® 24359
ALPHA TWIN EVO	طقم التثبيت K&M® 24167	



ALPHA 50 EVO	ALPHA 65 EVO	ALPHA 80 EVO	ALPHA TWIN EVO	النظام
45 هرتز - 22 كيلو هرتز	40 هرتز - 22 كيلو هرتز	38 هرتز - 22 كيلو هرتز	38 هرتز - 22 كيلو هرتز	• استجابة التردد (+/- 3 ديسيبل)
101 ديسيبل مستوى ضغط الصوت (الذروة على 1 متر)	104 ديسيبل مستوى ضغط الصوت (الذروة على 1 متر)	106 ديسيبل مستوى ضغط الصوت (الذروة على 1 متر)	108 ديسيبل مستوى ضغط الصوت (الذروة على 1 متر)	• مستوى ضغط الصوت الأقصى SPL

القسم الإلكتروني

				<ul style="list-style-type: none"> المداخل - النوع / المقاومة الكهربائية - الموصلات
				<ul style="list-style-type: none"> • مضخم صوت ترددات متوسطة ومنخفضة • مضخم صوت عالي التردد
				<ul style="list-style-type: none"> • وضع الاستعداد التلقائي - وضع الاستعداد - إيقاف وضع الاستعداد
				<ul style="list-style-type: none"> • الإمداد بالكهرباء - الجهد الكهربائي - لا يمكن تعديل الجهد الكهربائي
				<ul style="list-style-type: none"> - التوصيل
				<ul style="list-style-type: none"> • الإعدادات - الحساسية - مستوى متوسط/ جهير (صفر - 250 هرتز) - مستوى الصوت الحاد (4.5 - 35 هرتز) - تشغيل/ إيقاف التيار
				<ul style="list-style-type: none"> • الاستهلاك في وضع الاستعداد
				<ul style="list-style-type: none"> • عرض البيانات والتحكم

محولات الطاقة

13 سم (5 بوصة) غشاء Slatefiber	16,5 سم (6.5 بوصة) غشاء Slatefiber	20 سم (8 بوصة) غشاء Slatefiber	16,5 سم (6.5 بوصة) غشاء Slatefiber	<ul style="list-style-type: none"> • مكبر صوت منخفض التردد Woofer
				<ul style="list-style-type: none"> • مكبر صوت عالي التردد

الصندوق

				<ul style="list-style-type: none"> • التصميم
				<ul style="list-style-type: none"> • التشطيب
				<ul style="list-style-type: none"> • المقاسات مع 4 أوتاد مطاطية (الارتفاع؛ الطول × العمق) ("11.41)
				<ul style="list-style-type: none"> • الوزن



Élimination correcte de ce produit.

Ce marquage indique que ce produit ne doit pas être éliminé avec les autres déchets ménagers au sein de l'UE. Par mesure de prévention pour l'environnement et pour la santé humaine, veuillez le recycler de manière responsable, pour favoriser la réutilisation des ressources matérielles. Pour retourner votre appareil usé, veuillez utiliser les systèmes de retour et de collecte ou contactez le détaillant chez lequel le produit a été acheté. Celui-ci pourra procéder au recyclage du produit en toute sécurité

FR



Correct elimination of this product.

This marking indicates that within the EU this product should not be disposed of with other household wastes. To prevent any risk to the environment or human health, please recycle them responsibly to encourage the reuse of material resources. To return your used device, please use the return and collection systems available, or contact the retailer where you purchased the product. They can recycle this product safely.

EN



Ordnungsgemäße Entsorgung des Produkts.

Diese Kennzeichnung weist darauf hin, dass dieses Produkt innerhalb der EU nicht mit anderen Haushaltsabfällen entsorgt werden darf. Als Präventivmaßnahme für die Umwelt und die menschliche Gesundheit muss auf eine verantwortungsbewusste Wiederverwertung zur Förderung der Wiederverwendung von materiellen Ressourcen geachtet werden. Für die Rückgabe von Gebrauchsgütern verwenden Sie bitte zur Verfügung stehende Rückgabe- und Recyclingsysteme oder wenden Sie sich an den Händler, bei dem Sie das Produkt erworben haben. Letzterer kann das Gerät sicher dem Wertstoffkreislauf zuführen.

D



Eliminación correcta de este producto.

Este símbolo indica que este producto no debe eliminarse con el resto de residuos domésticos dentro de la UE. Con el objetivo de proteger el medioambiente y la salud pública, recicle de forma responsable para favorecer la reutilización de los recursos materiales. Para devolver su aparato usado, utilice los sistemas de devolución y recogida o póngase en contacto con el vendedor del producto. Este podrá proceder al reciclaje del producto de forma totalmente segura.

ES



Corretto smaltimento di questo prodotto.

Questa marcatura indica che, nell'UE, questo prodotto non deve essere smaltito insieme agli altri rifiuti domestici. A titolo preventivo per l'ambiente e la salute, deve essere riciclato in modo responsabile per favorire il riutilizzo delle risorse materiali. Per mandare indietro l'apparecchio usato, si prega di utilizzare il sistema di reso e raccolta o di contattare il rivenditore da cui è stato acquistato il prodotto, il quale potrà procedere a riciclare il prodotto in totale sicurezza.

I



Eliminação correta deste produto.

Esta marca indica que, na UE, este produto não deve ser eliminado com outro lixo doméstico. Como medida de prevenção para o ambiente e para a saúde humana, deve ser reciclado de modo responsável, para promover a reutilização dos recursos materiais. Para devolver o seu dispositivo usado, recorra aos sistemas de devolução e recolha ou contacte o comerciante em que o produto foi adquirido. Este poderá proceder à reciclagem do produto com toda a segurança.

P



Pravidłowe usuwanie produktu.

To oznaczenie informuje, że produktu nie należy usuwać wraz z innymi odpadami z gospodarstwa domowego na terenie UE. W celu ochrony środowiska i zdrowia człowieka, należy w sposób odpowiedzialny prowadzić recykling i wspierać ponowne wykorzystywanie materiałów. Aby zwrócić swoje urządzenie, należy skorzystać z systemu zwrotu i odbioru prowadzonego przez sprzedawcę detalicznego, u którego produkt został nabyty. Sprzedawca będzie w stanie w sposób bezpieczny przeprowadzić recykling produktu.

PL



Tuotteen asianmukainen hävittäminen.

Tämä merkintä osoittaa, että EU:ssa tätä tuotetta ei saa hävittää muiden kotitalousjätteiden mukana. Kierrätä se vastuullisesti ehkäistäksesi mahdollisia vaaroja ympäristölle tai ihmisten terveydelle ja edistääksesi aineellisten voimavarojen uudelleenkäyttöä. Palauta käytetty laite käyttämällä saatavilla olevia palautus- ja keräysjärjestelmiä tai ota yhteys jälleenmyyjään, jolta ostit tuotteen. He voivat kierrättää tämän tuotteen turvallisesti.


 (FIN)


Правильная утилизация продукта.

Данная маркировка указывает на то, что в пределах ЕС этот продукт не может утилизироваться вместе с бытовым мусором. В целях предотвращения загрязнения окружающей среды и нанесения ущерба здоровью человека утилизируйте продукт должным образом, позволяющим произвести его повторную переработку. Для того чтобы вернуть бывшее в употреблении устройство, используйте системы возврата и сбора сырья либо обратитесь в пункт розничной торговли, в котором вы приобрели продукт, для организации повторной переработки с соблюдением всех норм безопасности.


 (RU)


Correcte verwijdering van dit product.

Deze markering geeft aan dat dit product in de EU niet samen met ander huishoudelijk afval mag worden weggegooid. Om het milieu en de gezondheid van de mens te beschermen, dient u het product op verantwoorde wijze te recyclen om hergebruik van materiële hulpbronnen te stimuleren. U kunt uw gebruikte apparaat retourneren bij een recyclepunt of milieustation, of neem contact op met de winkel waar u het product hebt gekocht. Zo kan het product op verantwoorde wijze worden gerecycled.


 (NL)


Korrekt avlägsnande av produkten.

Denna märkning anger att produkten inte ska kasseras med annat hushållsavfall inom EU. För att förhindra skada på miljö och människors hälsa, vänligen återvinn produkten ansvarsfullt för att främja återanvändning av materialresurserna. Använd tillgängliga återlämnings- och insamlingsssystem för att återlämna din använda anordning, eller kontakta återförsäljaren som du köpte produkten av. De kan återvinna produkten säkert.


 (SE)


A termék helyes ártalmatlanítása.

Ez a jelölés azt jelzi, hogy a terméket nem szabad az EU területén az egyéb háztartási hulladékkal együtt kidobni. A lehetséges környezet- és egészségkárosodás elkerülése érdekében kérjük, hogy a hulladékot felelősen hasznosítsa újra, ezzel segítve a nyersanyagok újrahasznosítását. A használt eszközök visszaküldéséhez használja a rendelkezésre álló visszaküldési és gyűjtőrendszereket vagy forduljon a kiskereskedőhöz, akitől a terméket vásárolta. Ők elvégzik a termék biztonságos újrahasznosítását.


 (HU)


Pareiza, šī produkta, likvidācija.

Šis marķējums norāda, ka Eiropas Savienībā šo produktu nedrīkst izmest kopā ar citiem sadzīves atkritumiem. Lai novērstu jebkādu risku videi vai cilvēku veselībai, lūdzam nodot produktu atsevišķai pārstrādei, lai veicinātu materiālo resursu atsevišķo izmantošanu. Lai atgrieztu savu lietoto ierīci, lūdzam, izmantojiet pieejamās atpakaļņošanas un savākšanas sistēmas, vai sazinieties ar izplatītāju, no kura iegādājāties šo produktu. Tas var droši pārstrādāt šo produktu.


 (LV)


Pravilno odlaganje tega izdelka.

Ta oznaka pomeni, da tega izdelka v EU ni dovoljeno odlagati z drugimi gospodinjiskimi odpadki. V izogibitev povzročanju morebitne škode za okolje ali človeško zdravje izdelek reciklirajte odgovorno, da omogočite ponovno uporabo materiala. Če želite rabljeno napravo vrniti, jo vrnite prek sistemov za vračanje in zbiranje, ki so na voljo, ali pa se obrnite na trgovca, pri katerem ste izdelek kupili, ki bo izdelek varno recikliral.


 (SI)



Správná likvidace tohoto výrobku.

Toto označení znamená, že výrobek v EU nelze likvidovat spolu s jiným domácím odpadem. Aby se předešlo možným škodám na životním prostředí či na lidském zdraví, výrobky zodpovědně recyklujte, podpořte tím opětovné využívání materiálů. Pro vrácení použitého výrobku využijte dostupné vratné a sběrné systémy nebo se spojte s maloobchodním prodejcem, kde jste výrobek zakoupili. Ti pak mohou výrobek bezpečně recyklovat.

CZ



Σωστή απόρριψη αυτού του προϊόντος.

Αυτή η σήμανση υποδεικνύει ότι το προϊόν αυτό δεν πρέπει να απορρίπτεται μαζί με άλλα οικιακά απορρίμματα εντός της ΕΕ. Για να αποφευχθεί τυχόν κίνδυνος για το περιβάλλον ή την ανθρώπινη υγεία, παρακαλείσθε να το ανακυκλώσετε υπεύθυνα για να προωθήσετε την επαναχρησιμοποίηση των υλικών πόρων. Για να επιστρέψετε τη μεταχειρισμένη συσκευή σας, χρησιμοποιήστε τα διαθέσιμα συστήματα επιστροφής και συλλογής ή επικοινωνήστε με το κατάστημα από το οποίο αγοράσατε το προϊόν. Αυτοί μπορούν να ανακυκλώσουν το προϊόν με ασφάλεια.

GR



Tinkamas šio gaminio šalinimas.

Šis ženklas reiškia, kad ES šalyse šio gaminio negalima išmesti su buitinėmis atliekomis. Norėdami išvengti pavojaus aplinkai arba žmonių sveikatai, atsakingai pasirūpinkite jo perdirbimu, kad paskatintumėte pakartotinį medžiagų panaudojimą. Norėdami grąžinti panaudotą prietaisą, pasinaudokite esamomis atliekų grąžinimo ir surinkimo sistemomis arba kreipkitės į parduovą, iš kurio įsigijote gaminį. Jie gali saugiai perdirbti šį gaminį.

LT



Správná likvidácia tohto výrobku.

Toto označenie určuje, že v rámci EÚ sa tento výrobok nesmie likvidovať spolu s komunálnym odpadom z domácností. Aby sa predišlo rizikám pre životné prostredie alebo ľudské zdravie, zabezpečte ich náležitú recykláciu, čím podporíte opätovné využívanie prírodných zdrojov. Ak chcete použité zariadenie vrátiť, využite na to dostupné systémy zberu a recyklácie odpadu alebo požiadajte o pomoc predajcu, u ktorého ste výrobok kúpili. Ten dokáže tento výrobok bezpečne recyklovat.

SK



Selle toote õige kõrvaldamine.

See märgis näitab, et ELis ei tohi seda toodet käidelda koos muude majapidamisjäätmetega. Ohu vältimiseks keskkonnale või inimeste tervisele viige need vastutustundlikult ümbertöötlusse, et soodustada materjaliressursside taaskasutamist. Oma kasutatud seadme tagastamiseks kasutage saadavalolevaid tagastus- ja kogumissüsteeme või võtke ühendust jäemüüjaga, kellelt te toote ostsite. Müüja võib selle toote ohutult ümbertöötlusse viia.

EE



Korrekt eliminering af dette produkt.

Dette mærke indikerer, at dette produkt, i overensstemmelse med EU, ikke skal bortskaffes sammen med andet husholdningsaffald. For at undgå enhver risiko for miljøet eller menneskers sundhed, skal du genanvende det på ansvarlig vis og således fremme genbrug af materielle ressourcer. Hvis du ønsker at returnere din brugte enhed, skal du bruge de returnerings- og indsamlingssystemer, der er tilgængelige, eller kontakte forhandleren, hvor du købte produktet. De kan genbruge dette produkt på sikker vis.

DK

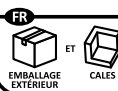


UK SCV
CA C1
EN11 ONT



PAP

Raccolta differenziata.
Verifica le disposizioni
del tuo Comune.



Cet appareil
se recycle

REPRISE
À LA LIVRAISON



À DÉPOSER
EN MAGASIN



À DÉPOSER
EN DÉCHÈTERIE



Points de collecte sur www.quefairemesdechets.fr

Scansionare il codice QR per
informazioni sullo smaltimento
degli imballaggi
Scan QR code for information
on packaging disposal