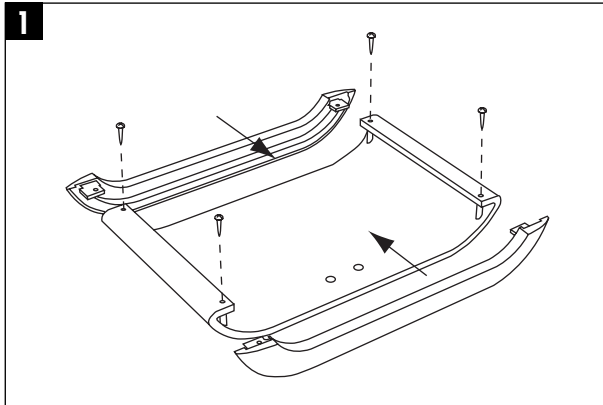


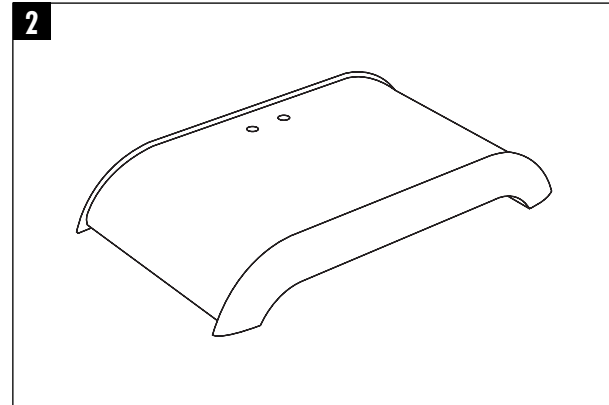
Hop & Bop - Sib XL Stand

Pied Sib XL

Base assembly / Assemblage du pied



1
Insert the two shapes as indicated. Fix the four screws supplied.
Insérez les caches comme indiqué. Fixez les quatre vis fournies.



2
Monted base.
Socle monté.