

# UNIVERSAL ISC 130

## Woofer

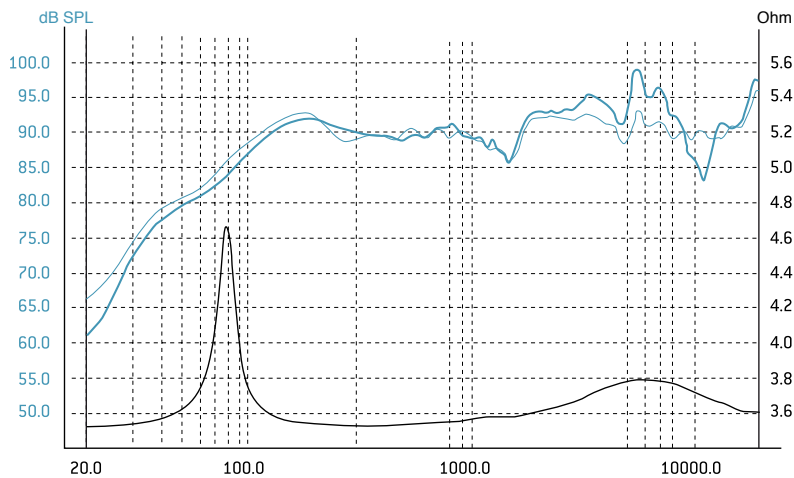


- Polyglass cone
- Reduced height
- Rotary inverted dome tweeter

## SPECIFICATIONS

Nominal power	60W	
Maximum power	120W	
Sensitivity	91.8dB	
Cone	Polyglass	
Surround	Butyl	
Nom. impedance	4 Ohms	
DC resistance	2.8 Ohms	
VC diameter	25.5mm	1"
VC height	8.4mm	0 <sup>1/3</sup> "
Former	Kapton	
Layers	2	
Wire	Copper	
Inductance	0.21mH	
Xmax	2.5mm	0 <sup>1/8</sup> "
Magnet d x h	72 x 15mm	2 <sup>13/16</sup> x 0 <sup>9/16</sup> "
Magnet weight	160g	0.35lb
Flux density	-	
Gap height	3mm	0 <sup>1/8</sup> "
Net weight	550g	1.1lb

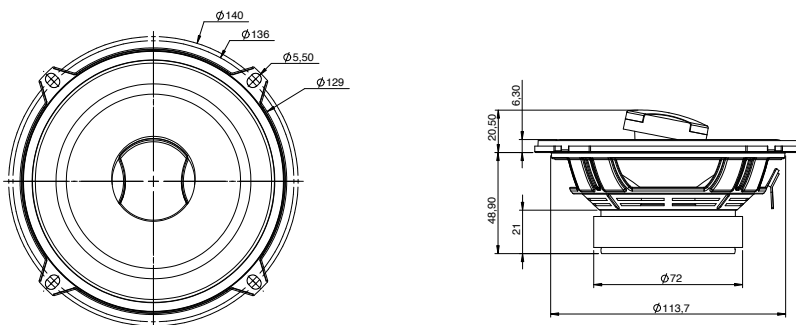
## FREQUENCY RESPONSE/IMPEDANCE



## PARAMETERS

Fs	96.03Hz
Vas	3.82 l
Qts	0.779
Qes	0.88
Qms	6.76
Re	2.8 Ohms
Sd	84.95cm <sup>2</sup>
Cas	2.72 E-8m <sup>5</sup> /N
Mas	101.02kg/m <sup>4</sup>
Ras	9016.84 Ohms.ac
Cms	377µm/N
Mms	7.29g
Rms	0.651kg/s
Ces	520.88mF
Les	5.27mH
Res	21.51 Ohms
BI	3.64N/A
SPL	87.69dB (Re)

## MECHANICAL DRAWING



**Integration**  
INSTANT GRATIFICATION

**FOCAL**  
THE SPIRIT OF SOUND