

# Intégration IS 170



## 6-11/16" woofer

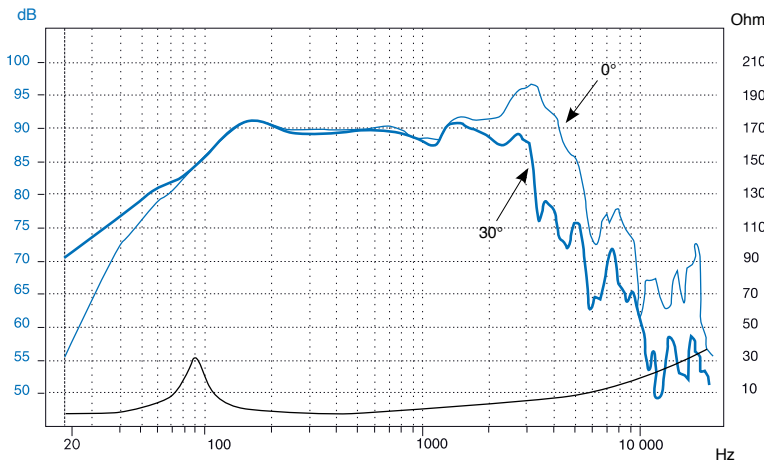


- Made for Japanese cars
- Plug in and listen
- High sensitivity

### SPECIFICATIONS

|                |             |                   |
|----------------|-------------|-------------------|
| Nominal power  | 60W         |                   |
| Maximum power  | 120W        |                   |
| Sensitivity    | 91dB        |                   |
| Cone           | Polyglass   |                   |
| Surround       | Rubber      |                   |
| Nom. impedance | 4 Ohms      |                   |
| DC resistance  | 3.28 Ohms   |                   |
| VC diameter    | 30.5mm      | 1-3/16 in         |
| VC height      | 7.6mm       | 0-5/16 in         |
| Former         | Glass fiber |                   |
| Layers         | 2           |                   |
| Wire           | Copper      |                   |
| Inductance     | 0.17mH      |                   |
| Xmax           | 5mm         | 0-3/16 in         |
| Magnet d x h   | 80x15mm     | 3-1/8 x 0-9/16 in |
| Magnet weight  | 585g        | 1.17 lb           |
| Flux density   | 1.1T        |                   |
| Gap height     | 4mm         | 0-3/16 in         |
| Net weight     | 750g        | 1.5 lb            |

### FREQUENCY RESPONSE / IMPEDANCE

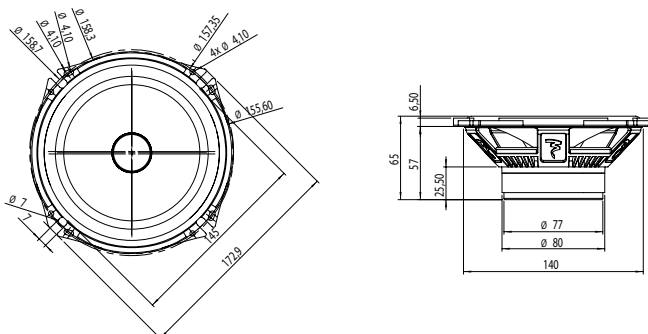


### PARAMETERS

|     |                 |         |
|-----|-----------------|---------|
| Fs  | 76.97 Hz        |         |
| Vas | 8.13 liters     | 0,29Ft³ |
| Qts | 0.68            |         |
| Qes | 0.81            |         |
| Qms | 4.29            |         |
| Re  | 3.28 Ohms       |         |
| Sd  | 126.68 cm²      |         |
| Cas | 5.79E-8 m⁵/N    |         |
| Mas | 73.85 Kg/m⁴     |         |
| Ras | 8324.68 ohms.ac |         |
| Cms | 3.61E-4 m/N     |         |
| Mms | 11.85 g         | 0,03lb  |
| Rms | 1.336 Kg/s      |         |
| Ces | 510.63 mF       |         |
| Les | 8.37 mH         |         |
| Res | 17.37 ohms      |         |
| Bl  | 4.82 N/A        |         |
| SPL | 88.45 dB        |         |

### MECHANICAL DRAWING

Unit: mm



### SUGGESTED APPLICATION

| Load   | V (l) | Fb (Hz) | F-3 (Hz) | Ql |
|--------|-------|---------|----------|----|
| Sealed | 30    | -       | 81       | 7  |