

TNB

Polyglass tweeter

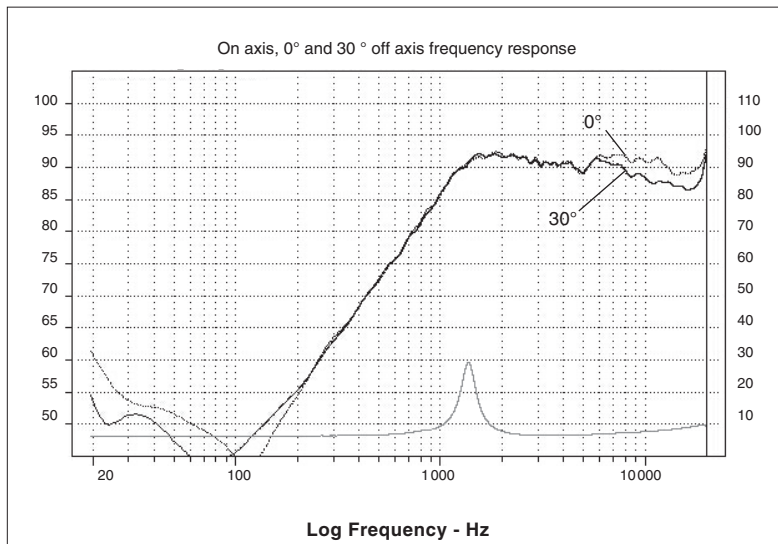
- 20mm push-pull Neodymium magnet
- 20mm voice-coil with aluminum former
- Optional accessories for easy mounting
- Aluminum/Magnesium inverted dome



Specifications

Nominal power	15 W	
Maximum power	100 W	
Sensitivity	91 dB	
Cone	Aluminum/Magnesium	
Surround	-	
Nom. impedance	8 ohm	
DC resistance	6 ohm	
VC diameter	20.5 mm	4.5 in
VC height	1.5 mm	1/16 in
Former	Aluminum	
Layers	2	
Wire	Aluminum	
Inductance	0.06 mH	
Xmax	-	
Magnet d x h	20 x 2 mm	13/16 x 1/16 in
Magnet weight	-	
Flux density	1.6 T	
Gap height	2 mm	1/16 in
Net weight	85 g	0.18 lb

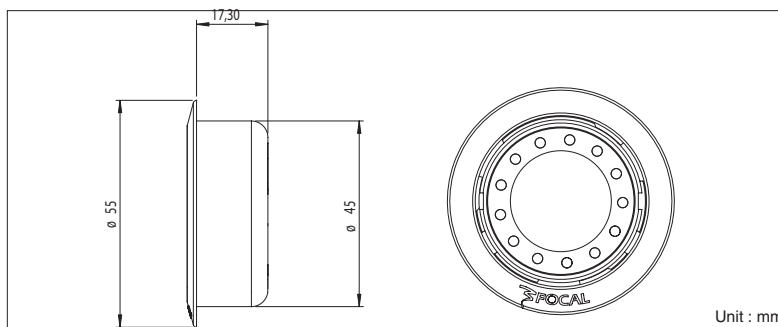
Frequency response / Impedance



Parameters

Fs	1280 Hz
Vas	-
Qts	-
Qes	-
Qms	-
Re	6 ohm
Sd	-
Cas	-
Mas	-
Ras	-
Cms	-
Mms	-
Rms	-
Ces	-
Les	-
Res	34 ohm
Bl	-
SPL	-

Mechanical Drawing



Focal® is a trademark of Focal-JMLab® - BP 374 - 108, rue de l'Avenir - 42353 La Talaudière cedex France - Tel. 33 00 4 77 43 57 00 - Fax 33 00 4 77 37 65 87 - www.focal-fr.com - SCFR070418/1

