

IS FORD 165

Technical Sheet

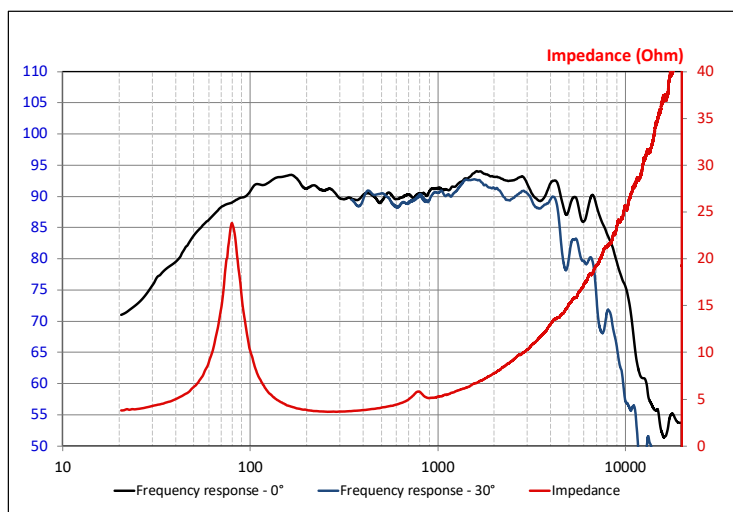
Woofer



SPECIFICATIONS

| | |
|----------------|-----------------|
| Nominal power | 60W |
| Maximum power | 120W |
| Sensitivity | 91.7dB |
| Nom. impedance | 4Ω |
| Cone | Black Polyglass |
| Surround | Butyl |
| DC resistance | 3.48Ω |
| VC diameter | 25mm 1" |
| Former | Kapton |
| Layers | 2 |
| Wire | Copper |
| Net weight | 860g 1.9lbs |

FREQUENCY RESPONSE/IMPEDANCE

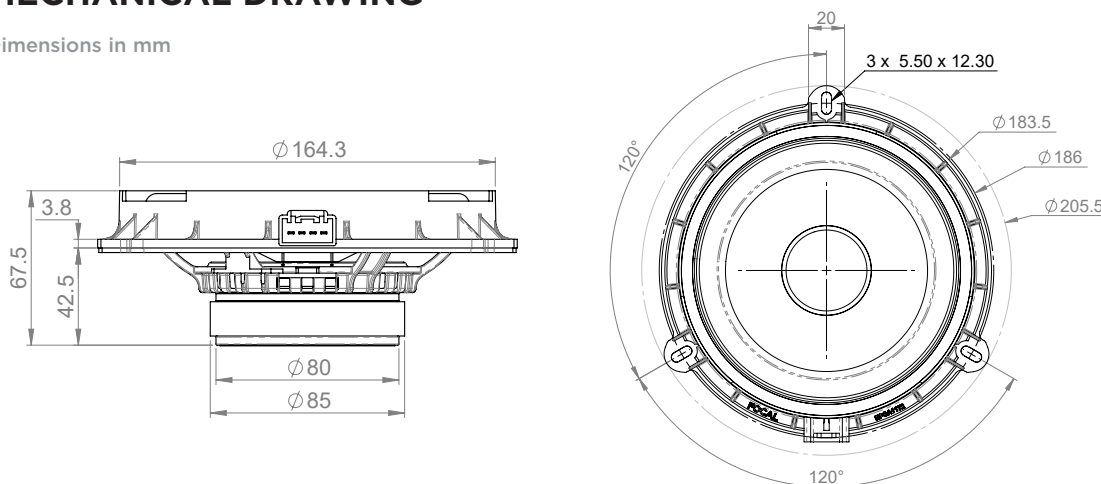


PARAMETERS

| | |
|------|-----------------------|
| Rdc | 3.48Ω |
| Fs | 81.9Hz |
| Mms | 13g |
| Cms | 0.29mm/N |
| Vas | 7.68l |
| Qts | 0.696 |
| Qes | 0.821 |
| Qms | 4.559 |
| Bxl | 5.32N/A |
| Sd | 136.85cm ² |
| SPL | 88.7dB |
| Xmax | 3.5mm |

MECHANICAL DRAWING

Dimensions in mm



FOCAL® INSIDE

Focal® is a trademark of Focal-JMLab® - www.focal.com - SCAA200505/1

FOCAL®
LISTEN BEYOND