

IC TOY 165

Technical Sheet

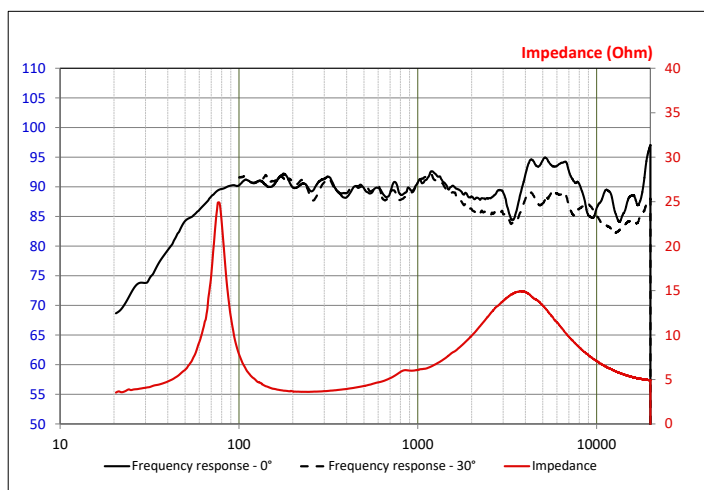
Woofer

SPECIFICATIONS

| | |
|----------------|-----------------------|
| Nominal power | 60W |
| Maximum power | 120W |
| Sensitivity | 92.5dB |
| Nom. impedance | 4 Ω |
| Cone | Black Polyglass |
| Surround | Butyl |
| DC resistance | 3.3 Ω |
| VC diameter | 25mm 1" |
| Former | Kapton |
| Layers | 2 |
| Wire | Copper |
| Magnet d x h | 85x15mm 3 3/8 x 5/16" |
| Net weight | 950g 2.1lbs |



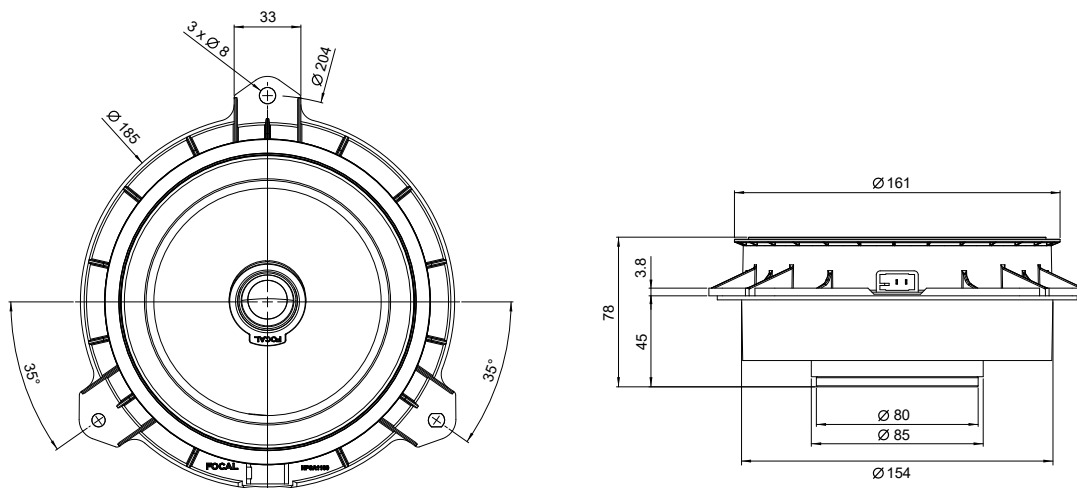
FREQUENCY RESPONSE/IMPEDANCE



PARAMETERS

| | |
|------|-----------------------|
| Rdc | 3.3 Ω |
| Fs | 75Hz |
| Mms | 13.1g |
| Cms | 0.34mm/N |
| Vas | 9.86L |
| Qts | 0.8 |
| Qes | 0.92 |
| Qms | 6.397 |
| Bxl | 4.7N/A |
| Sd | 136.85cm ² |
| SPL | 88dB |
| Xmax | 3mm |

MECHANICAL DRAWING



FOCAL® INSIDE

Focal® is a trademark of Focal-JMLab® - www.focal.com - SCCG - 14/01/2021 - v2

FOCAL®