

ICC MBZ 100

Technical Sheet

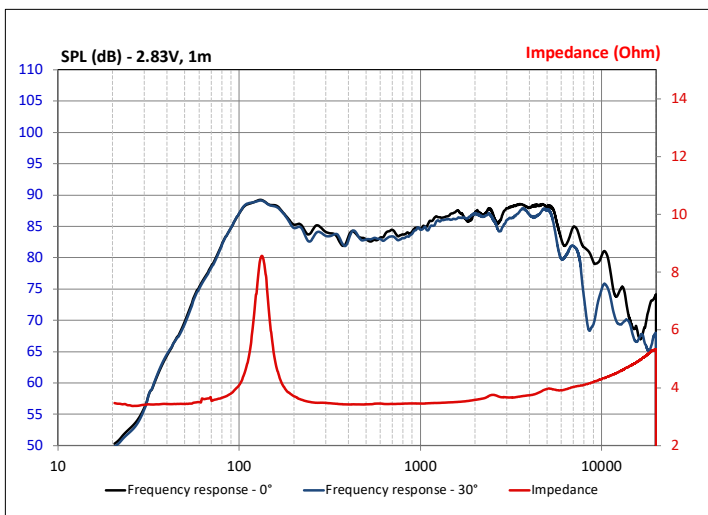
Central speaker



SPECIFICATIONS

Nominal power	25W by coil	
Maximum power	50W by coil	
Sensitivity	83.7dB	
Nom. impedance	2x4 Ω	
Cone	Flax	
Surround	Butyl	
DC resistance	2x3.41 Ω	
VC diameter	25mm	1"
Former	Kapton	
Layers	2	
Wire	Copper	
Net weight	250g	0.55 lbs

FREQUENCY RESPONSE/IMPEDANCE

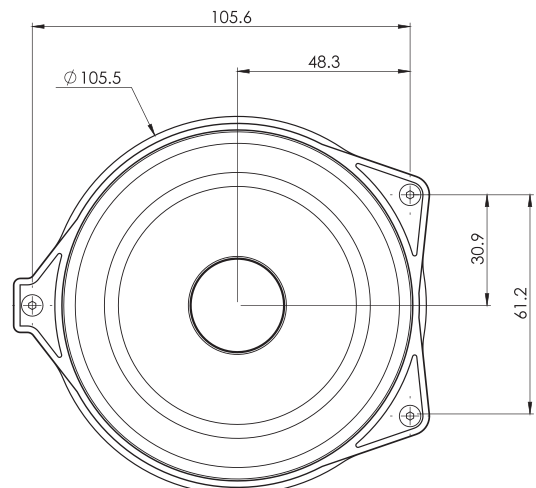
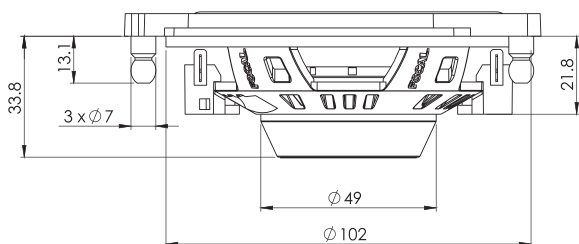


PARAMETERS

Rdc	3.41 Ω
Fs	134Hz
Mms	6.3g
Cms	0.223mm/N
Vas	0.8 l
Qts	2.46
Qes	3.2
Qms	6.9
Bxl	2.19N/A
Sd	50.27cm ²
SPL	79dB
Xmax	4mm

MECHANICAL DRAWING

Dimensions in mm



FOCAL® INSIDE

Focal® is a trademark of Focal-JMLab® - www.focal.com - SCCG - 12/11/2020 - v1

FOCAL®