

# TN 44

Access 1 tweeter (Aftersales Dpt ref: TN 44)

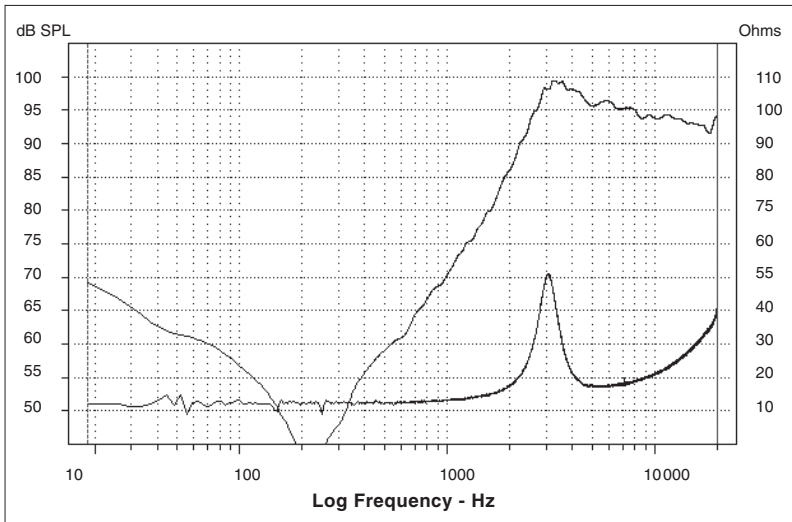
- Aluminum inverted dome
- Flush mounting and surface mounting support provided
- Neodymium magnet



## Specifications

Nominal power	15 W	
Maximum power	100 W	
Sensitivity	94 dB	
Cone	Aluminium	
Surround	cloth	
Nom. impedance	4 ohms	
DC resistance	3.7 ohms	
VC diameter	20 mm	13/16 in
VC height	-	-
Former	Kapton®	
Layers	2	
Wire	Copper	
Inductance	-	
Xmax	-	
Magnet	Neodymium	-
Magnet weight	-	-
Flux density	1.35 T	
Gap height	2.5 mm	1/8 in
Net weight	60 g	0.13 lb

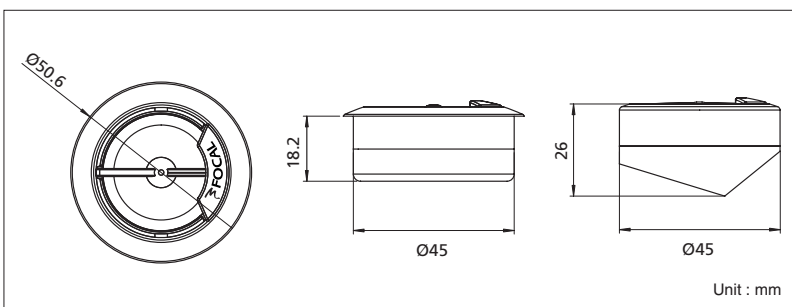
## Frequency Response / Impedance



## Parameters

Fs	3066 Hz
Vas	-
Qts	-
Qes	-
Qms	-
Re	3.7 ohms
Sd	4.9 cm <sup>2</sup>
Cas	-
Mas	-
Ras	-
Cms	-
Mms	-
Rms	-
Ces	-
Les	-
Res	5.7 ohms
BI	-
SPL	-

## Mechanical Drawing



©Focal-JMlab - AS05026/2

Focal® is a trademark of Focal-JMlab® - BP 374 - 108, rue de l'Avenir - 42353 La Talaudière cedex France - Tél. (33) 04 77 43 57 00 - Fax (33) 04 77 37 65 87 - www.focal-fr.com - SCAS051018/2

