

# 6 V 30 (165 V 30 WOOFER KIT)

6 1/2" Polyglass woofer

**30<sup>th</sup>**  
LIMITED  
EDITION

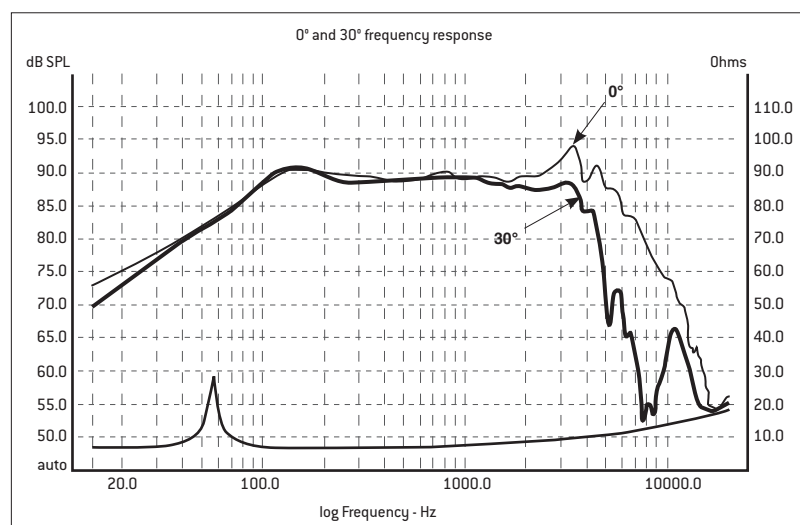
- ◆ High sensitivity
- ◆ Focal's 30<sup>th</sup> Anniversary



## Specifications

Nominal power	80W	
Maximum power	160W	
Sensitivity	92dB	
Cone	Polyglass	
Surround	Butyl	
Nom. impedance	4 ohms	
DC resistance	3,19 ohms	
VC diameter	25 mm	1 in
VC height	15 mm	0 <sup>9</sup> / <sub>16</sub> in
Former	Kapton	
Layers	2	
Wire	Copper	
Inductance	0,22mH	
Xmax	5mm	0 <sup>3</sup> / <sub>16</sub> in
Magnet	85 x 17mm	3 <sup>1</sup> / <sub>3</sub> in x 0 <sup>2</sup> / <sub>3</sub> in
Magnet weight	850g	1,7 lb
Flux density	1T	
Gap height	5mm	0 <sup>3</sup> / <sub>16</sub> in
Net weight	1.1g	2.2 lb

## Frequency Response / Impedance



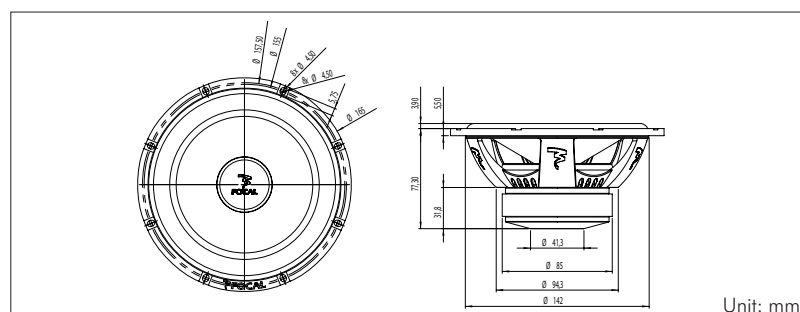
## Parameters

Fs	72,23Hz	
Vas	8,46 liters	0,3Ft <sup>3</sup>
Qts	0,76	
Qes	0,81	
Qms	12,10	
Re	3,19 Ohms	
Sd	132,73cm <sup>2</sup>	
Cas	6,02E-8m <sup>5</sup> /N	
Mas	80,66Kg/m <sup>4</sup>	
Ras	3025,19 ohms ac	
Cms	3,42E-4m/N	
Mms	14,21g	0,03lb
Rms	0,533Kg/s	
Ces	559,50mF	
Les	8,68mH	
Res	47,65 ohms	
Bl	5,04 N/A	
SPL	87,79dB	

## Suggested application

Load	V (l)	Fb (Hz)	F-3 (Hz)	Ql
Sealed	30	-	70	7

## Mechanical Drawing



Unit: mm

Focal® is a trademark of Focal-JMLab® - BP 374 - 108, rue de l'Avenir - 42353 La Talaudière cedex France - Tél. (33) 04 77 43 57 00 - Fax (33) 04 77 37 65 87 - www.focal-fr.com - SCAuB090903/1

