

# 100 V SLIM

4" Polyglass 2-way

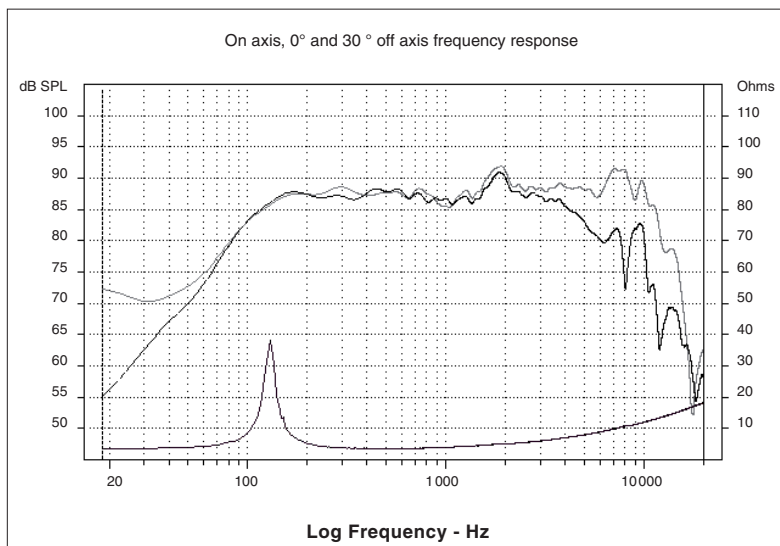
- Zamak chassis
- Polyglass cone, Butyl surround
- Neodymium magnet



## Specifications

Nominal power	50 W	
Maximum power	100 W	
Sensitivity	91 dB	
Cone	Polyglass	
Surround	Butyl	
Nom. impedance	4 ohms	
DC resistance	3.2 ohms	
VC diameter	25 mm	
VC height	8 mm	
Former	Kapton	
Layers	2	
Wire	Copper	
Inductance	0.2 mH	
Xmax	2 mm	
Magnet d x h	-	
Magnet weight	-	
Flux density	1.1 T	
Gap height	3 mm	
Net weight	350 g	0.77 lb

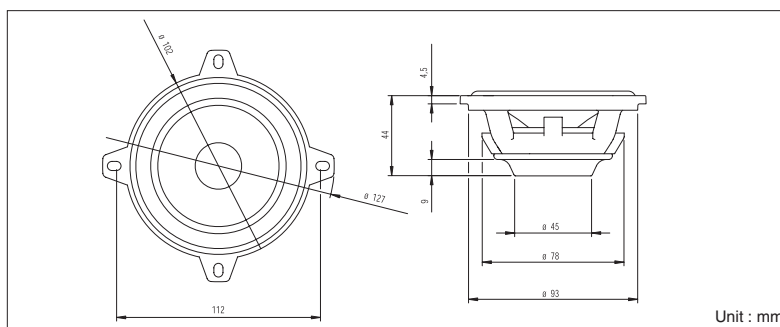
## Frequency response / Impedance



## Parameters

Fs	117.66 Hz	
Vas	1.43 l	0.05 Ft³
Qts	0.811	
Qes	0.880	
Qms	10.410	
Re	3.55 ohms	
Sd	52.81 cm²	8.18 in²
Cas	1.02E-08 m⁵/N	
Mas	179.28 kg/m⁴	
Ras	12731.89 ohms.ac	
Cms	3.66E-04 m/N	
Mms	5.00 g	0.01 lb
Rms	0.355 Kg/s	
Ces	335.31 mF	
Les	5.46 mH	
Res	41.99 ohms	
Bl	3.86 N/A	
SPL	86.08 dB/W/m	

## Mechanical Drawing



## Suggested application

Load	V (l)	Fb (Hz)	F-3 (Hz)	Ql
Sealed	30	-	105	7

