

4 A3 (165 A3 MIDRANGE KIT)

4" Access 1 midrange

- All weather woven glass fiber cone
- Phase plug



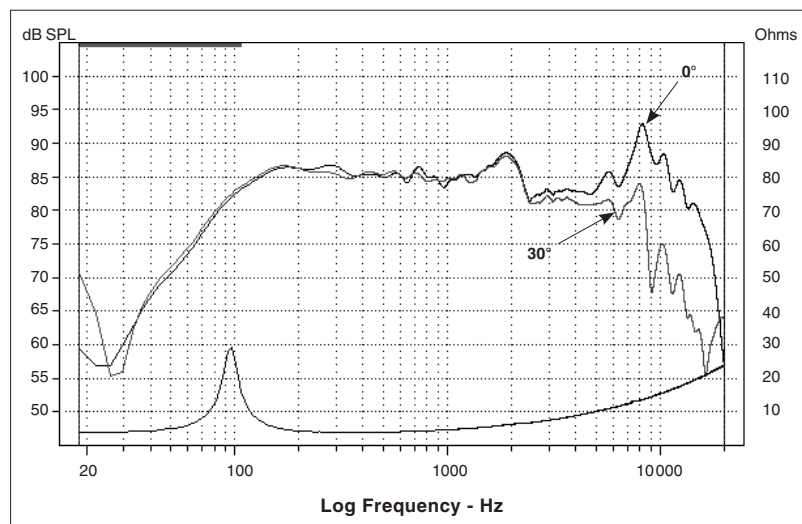
Specifications

Nominal power	80W	
Maximum power	160W	
Sensitivity	89 dB	
Cone	Braided glass fiber	
Surround	Butyl	
Nom. impedance	4 ohms	
DC resistance	3.3 ohms	
VC diameter	25 mm	1 in
VC height	11 mm	7/16 in
Former	Kapton®	
Layers	2	
Wire	Copper	
Inductance	-	
Xmax	2.5 mm	0.18 in
Magnet d x h	70 x 15 mm	2-3/4 x 9/16 in
Magnet weight	0.25 kg	0.66lb
Flux density	1 T	
Gap height	5.5 mm	3/16 in
Net weight	0.5 kg	1.1 lb

Parameters

Fs	94.54 Hz
Vas	1.66 l
Qts	0.76
Qes	0.86
Qms	6.66
Re	3.37 ohms
Sd	54.11 cm ²
Cas	1.18E-08 m5/N
Mas	240.14 kg/m4
Ras	21418.27 ohms.ac
Cms	4.03E-04 m/N
Mms	7.03 g
Rms	0.414 kg/s
Ces	429.61 mF
Les	6.60 mH
Res	26.25 ohms
Bl	4.06 N/A
SPL	84 dB/W/m

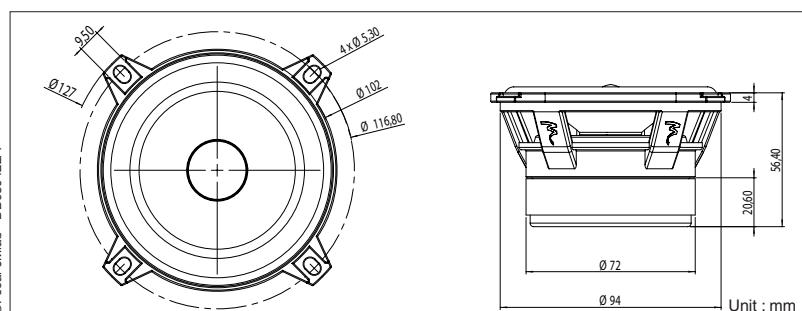
Frequency Response / Impedance



Suggested application

Load	V (l)	Fb (Hz)	F-3 (Hz)	Ql
Sealed	30	-	89	7

Mechanical Drawing



©Focal-JMlab - DB080422/1

Focal® is a trademark of Focal-JMlab® - BP 374 - 108, rue de l'Avenir - 42353 La Taubaudière cedex France - Tél. (33) 04 77 43 57 00 - Fax (33) 04 77 37 65 87 - www.focal-fr.com - SCBD080422/1



FOCAL
THE SPIRIT OF SOUND