

# SHAPE 40

## Product Specification Sheet

Shape 40 is the most compact studio monitor in the Focal Professional line, and the perfect solution for nearfield monitoring. These monitors can be used from 23" away (60cm), and they have astonishingly extended low end frequency response. Whether you have a room of less than 107ft<sup>2</sup> (10m<sup>2</sup>), or an installation where compactness is paramount, Shape 40 is the perfect solution.



### Key points

- Low tweeter directivity for a flexible listening position
- Designed without a port allowing it to be placed near a wall
- Numerous settings for optimal integration
- Accurate control, even in the very high end
- Flax sandwich cone: controlled and articulated bass, natural and detailed lower mid-range and upper mid-range registers.
- Threads for ceiling and wall mounts (fastening accessories not supplied)

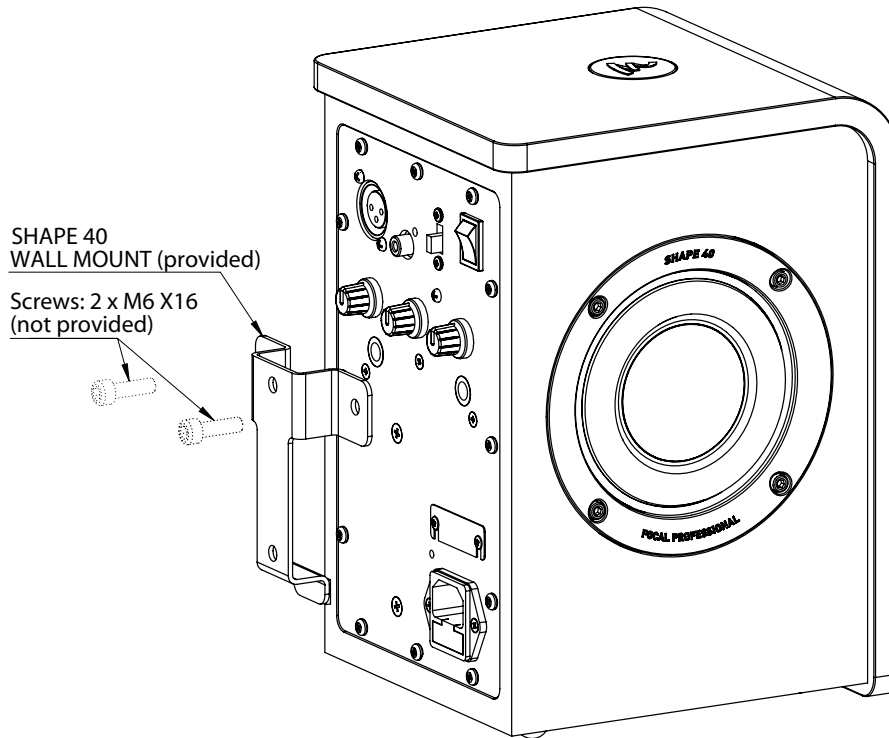
System		SHAPE 40
• Frequency response (+/-3dB)		60Hz - 35kHz
• Maximum SPL (musical signal)		102dB SPL (peak @ 1m)
Electronic section		
• Inputs/ Impedance	Type	XLR: balanced 10kOhms
	Connectors	RCA: unbalanced 10kOhms with sensitivity compensation
• Midrange and low frequency amplifier		25W, class AB
• High frequency amplifier		25W, class AB
• Automatic standby	Standby on	After approximately 30 minutes with no signal
	Standby off	Signal detection > 3 mV
• Electrical supply	Voltages	220-240V (T500mA / 250V fuse) or 100-120V (T1.6A / 250V fuse)
	Connection	IEC plug and detachable power cord
• Settings	High pass filter	Adjustable Full range / 80Hz
	Bass (0 - 250Hz)	Adjustable, +/-6dB
	Midrange/bass (160Hz, Q=1)	Adjustable, +/-3dB

• Settings	High (4.5 - 35kHz)	Adjustable, +/-3dB
	Power On/Power Off	On/off switch on rear panel
• Standby consumption		< 0.5W
• Displays and controls		LED for power on/off and standby
Transducers		
• Woofer		4" (10cm) Flax Cone
• Tweeter		1" (25mm) 'M' profile Aluminum-Magnesium
Cabinet		
• Construction		0.5" (12mm) MDF
• Finish		Vinyl, real walnut and black painting
• Dimensions with four rubber feet (HxWxD)		10.1 x 6.3 x 7.9" (257 x 161 x 200mm)
• Weight		16.1lb (5kg)

# SHAPE 40

## Recommended mounting kits

	SHAPE 40
Wall mount	K&M® Fixing kit 24471
Ceiling mount	K&M® Fixing kit 24496
Table stand / microphone stand	K&M® Fixing kit 232



Screw: BSW 0<sup>3/8</sup>"

