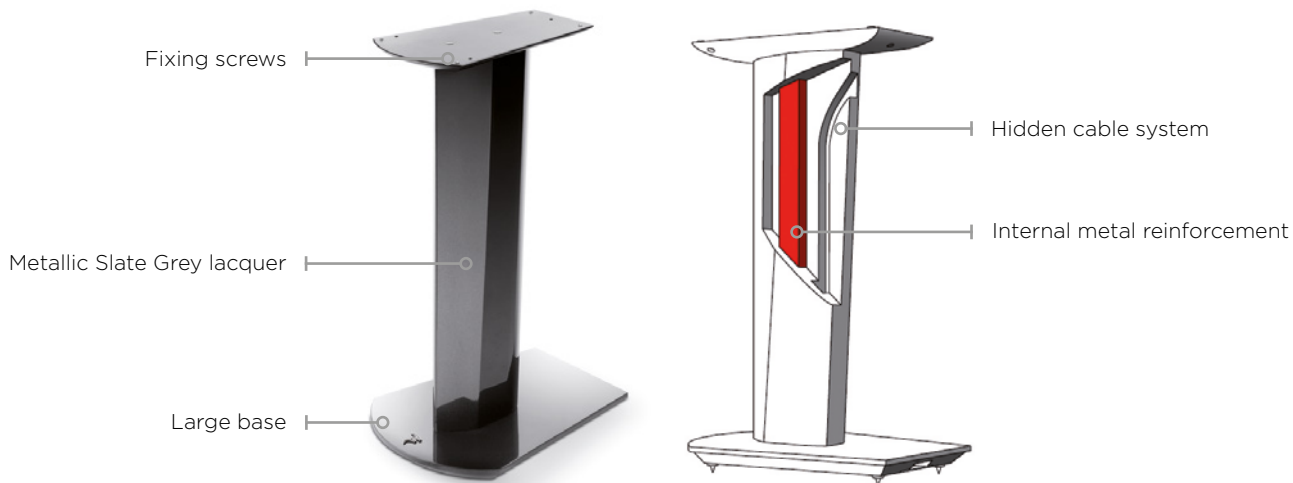


ELECTRA S 1000 HIGH GLOSS STAND

Product Data Sheet

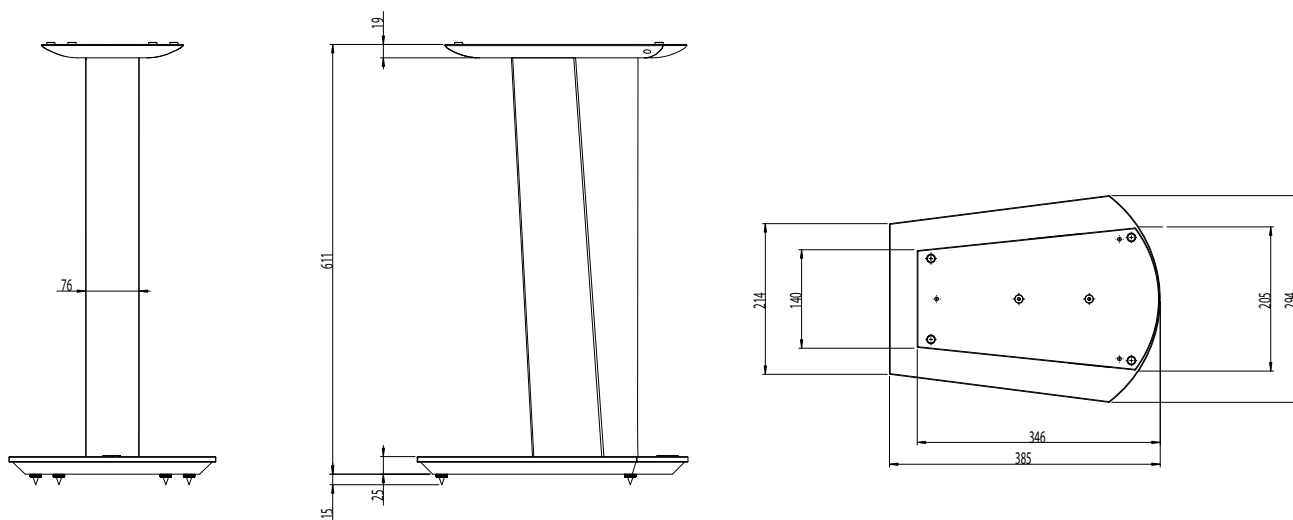


Spikes supplied



Key points

- Large base for much stability
- Internal metal reinforcement to limit vibrations
- Electra 1008 Be fixed on plate with screws



Height without spikes	24 ^{1/16} " (611mm)
Height with spikes	24 ^{5/8} " (626mm)
Weight	35.2lb (16kg)