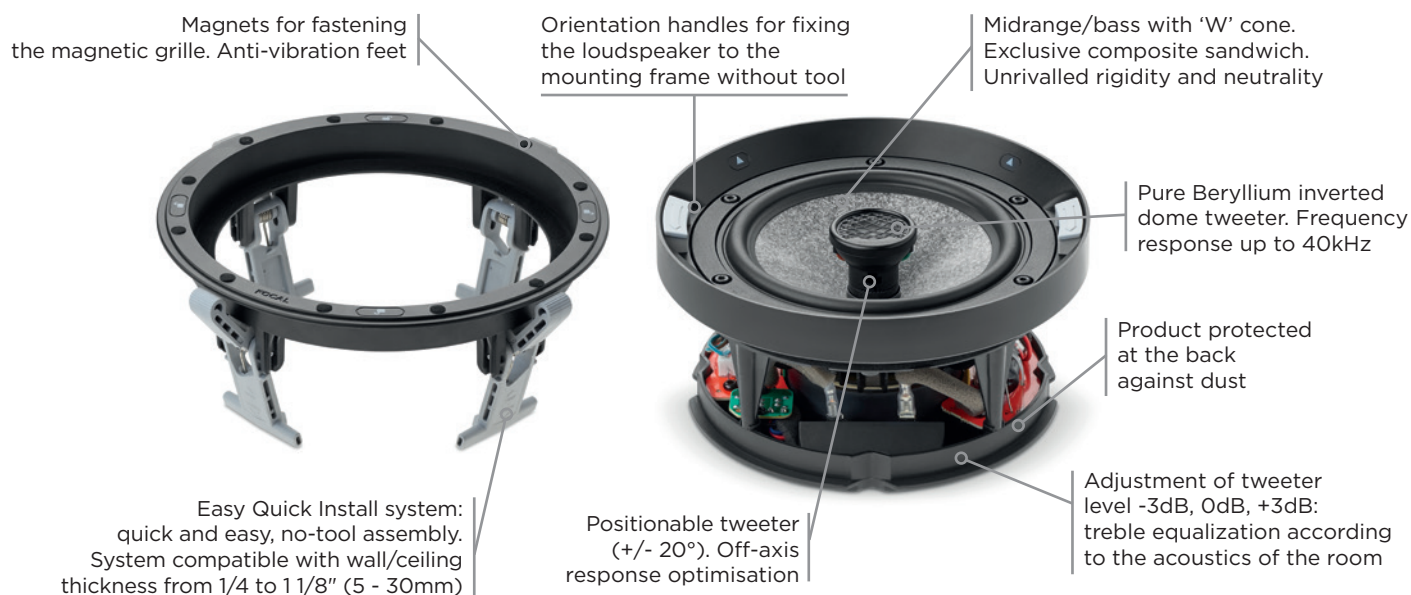


1000 ICW6

Product sheet

MADE IN
FRANCE



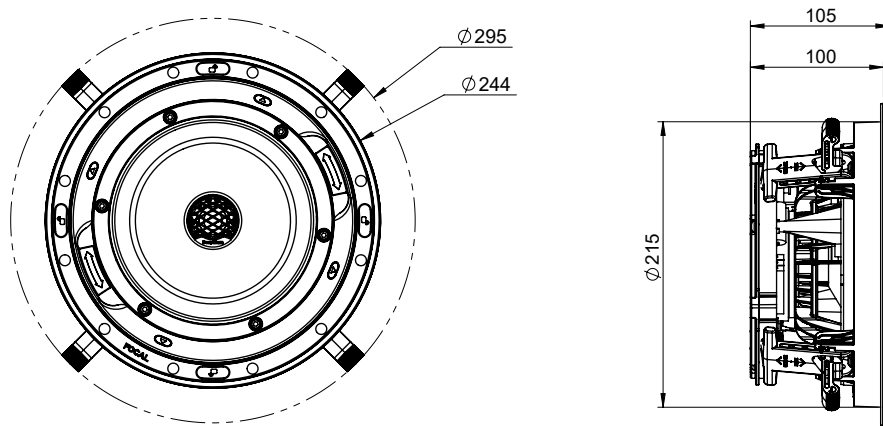
Key points

- In-wall/in-ceiling coaxial 2-way loudspeaker
- Quick, easy, no-tool product assembly
- Speaker driver developed and manufactured in France by Focal
- Delivered with square and circular grilles ready for painting
- Black and white felt ready to stick
- Off-axis response control (tweeter position and gain adjustment)

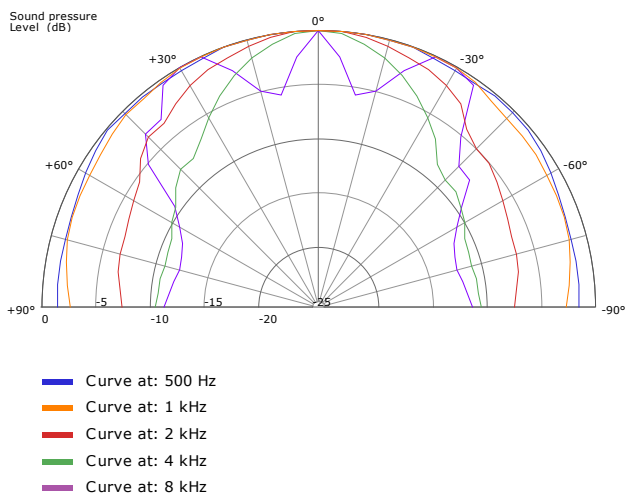
Technical specifications

Type of speaker	2-Way in-wall/in-ceiling
Speaker drivers	6 ¹ / ₂ " (16.5cm) 'W' Midrange/Bass 1" (25mm) Pure Beryllium inverted dome tweeter
Sensitivity (2.83V/3 feet - 1m)	89dB
Bandwidth (+/-3dB)	55Hz - 40kHz
Low-frequency cut-off (-6dB)	45Hz
Nominal impedance	8 Ω
Minimal impedance	4.9 Ω
Recommended amp power	25 - 150W
Size (Ø x depth)	9 ⁵ / ₈ x 4 ¹ / ₈ " (244 x 105mm)
Mounting diameter (Ø)	8 ¹ / ₂ " (216mm)
Mounting depth	4" (100mm)
Net weight (with grille)	5.29lbs (2.4kg)
Box size (length x depth x height)	12 ¹ / ₄ x 12 ¹ / ₄ x 10 ⁵ / ₈ " (310 x 310 x 270mm)
Total weight (with packaging)	8.60lbs (3.9kg)

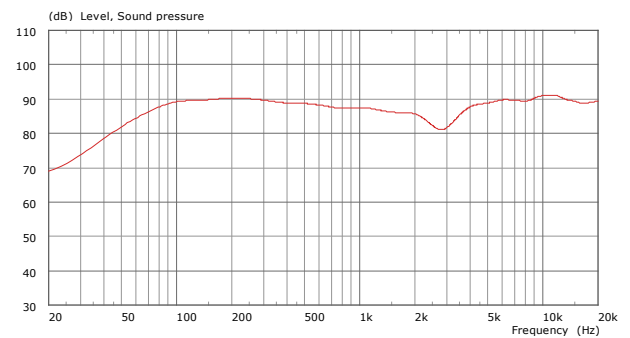
Dimensions



Directionality measurements



Frequency response



1000 ICW6 Levels calculation table

Power/Distance	1m	2m	5m
1W (2.83V)	89dB	83dB	75dB
20W (12.6V)	102dB	96dB	88dB
50W (20V)	106dB	100dB	92dB
100W (28.3V)	109dB	103dB	95dB

Summary	125Hz	250Hz	500Hz	1kHz	2kHz	4kHz	8kHz
NPA (2.83V/1m)(dB)	90	90	89	88	87	89	89
Aperture angle at -6dB	180°	180°	180°	180°	140°	70°	100°