

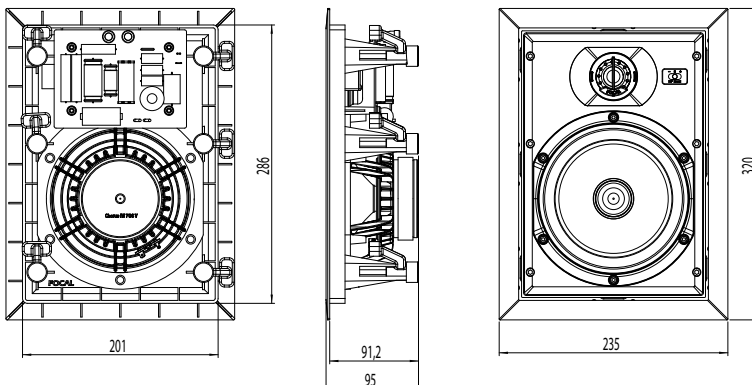
IW 706 V

8Ω In-Ceiling Line



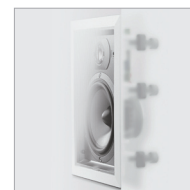
Key points

- 2 way In Wall speaker.
- Speaker ready for painting (removable logo and protection kit supplied).
- Al/Mg inverted dome tweeter: the best space dispersion in the market, plus the sound quality.
- Rotating tweeter for total control of directivity.
- Polyglass cone woofer: clearness and definition in the midrange register (voice).
- Tweeter level adjustment: optimum acoustic integration.



Technical specifications

Max. power	150W
Nominal power	75W
Sensitivity at 1W/1m (1kHz)	89dB
Bandwidth (± 3dB)	65Hz - 28kHz
Opening angle (at 1kHz/4kHz, -6dB)	170°/180°
Nominal impedance	8Ω
Passive crossover cut-off frequency	2 600Hz
Drivers	6 ¹ / ₂ " (165mm) glass fiber woofer/midrange 1" (25mm) Al/Mg inverted dome adjustable tweeter
Frame dimensions (diameter)	9 ¹⁵ / ₁₆ " (253mm)
Cut-out dimensions (diameter)	8 ¹¹ / ₁₆ " (221mm)
Cut-out depth	3 ⁵ / ₈ " (92mm)
Weight	4.19lb (1.9kg)
Color	White



The invisible great Focal sound.

The Focal Professional Commercial Integration range is the answer to two fundamental constraints:

- offering very high quality sound audio solutions
- promoting product integration to preserve architectural harmony.

Applications :

The Focal IW 706 V loudspeaker can be installed in numerous applications such as: conference rooms, shopping malls, lecture halls, restaurants, corridors, shops, swimming-pools, hotels, boats, museums, meeting rooms, ...

Packaging

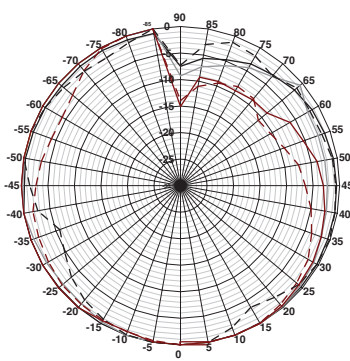
- 1 IW 706 V speaker
- 1 cut-out template
- 1 protective mask
- 1 key to remove the grille
- 1 removable Focal logo

Environmental characteristics

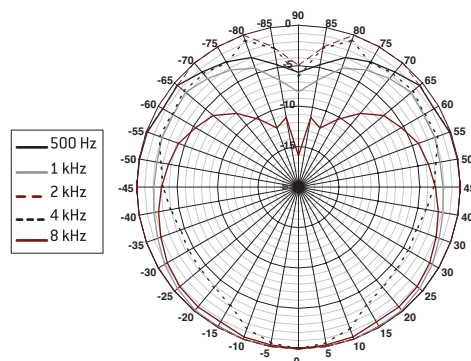
Ambient temperature	-25 °C to + 55 °C
Watertightness	Dampenvironment

Electrical diagram

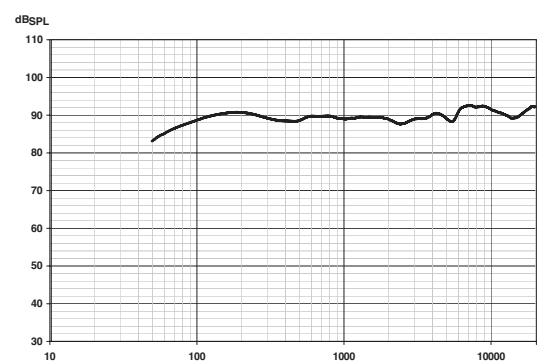
Vertical directivity



Horizontal directivity



Frequency response



IW 706 V speaker level calculation table

Power/Distance	1 meter	2 meters	5 meters	Summary	125Hz	250Hz	500Hz	1kHz	2kHz	4kHz	8kHz
1 watt	89dB	83dB	75dB	NPA (1W/1m)[dB]	90	89	89	89	89	87	87
5 watts	96dB	90dB	82dB	NPA (20W/1m)[dB]	103	102	102	102	102	100	100
10 watts	99dB	93dB	85dB	opening angle at -6dB	180°	180°	180°	175°	150°	90°	110°
20 watts	102dB	96dB	88dB								

Values of average ambient level examples

110dB	Discotheque
90dB	Pub, stadium during a goal
80dB	Multipurpose room, station, stadium terraces
70dB	Supermarket, shop, swimming-pool, ice-rink
60dB	Conference room, office, museum, place of worship
50dB	Classroom
25dB	Quiet room

IW 706 V speaker coverage area

Speaker height / ground	2.5m	3m	4m	5m
1 speaker for	15m ²	30m ²	80m ²	150m ²