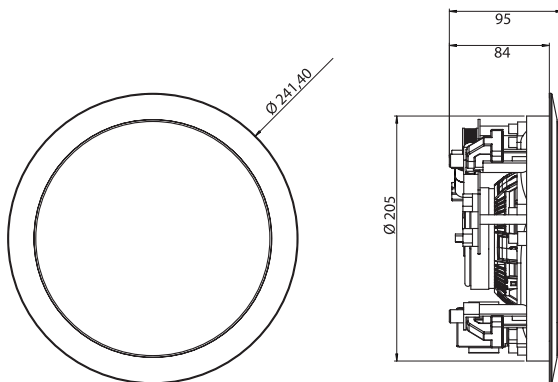
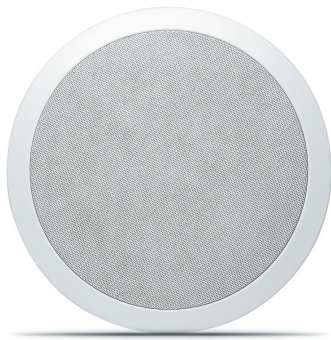


IC 106-T

100 V In-Ceiling Line



Key Points

- 2-way In-Ceiling speaker.
- Excellent performance/size ratio.
- Speaker ready for painting (removable logo and protection kit supplied).
- The most versatile In-Ceiling speaker.
- Inverted dome tweeter: the best space dispersion in the market!
- Tweeter and woofer compatible with damp environment.
- Adjustable tweeter for total control of directivity.
- Genuine audiophile 12-12 dB/octave crossover for outstanding sound quality.

Technical specifications

Max. power	120W
Nominal power (100V mode)	20W (20 - 10 - 5W)
Sensitivity at 1W/20W (at 1kHz, 1m)	89dB/102dB
Bandwidth (± 3 dB)	60Hz - 20kHz
Opening angle (at 1kHz/4kHz, -6dB)	175°/90°
Nominal power	100 Volts
Nominal impedance	400/800/1500 ohms (20/10/5W)
Passive crossover cut-off frequency	3 300Hz
Drivers	6 ¹ / ₂ " (165mm) glass fiber woofer 1" (25mm) aluminum inverted dome adjustable tweeter
Frame dimensions (diameter)	9 ⁹ / ₁₆ " (243mm)
Cut-out dimensions (diameter)	8 ³ / ₁₆ " (208mm)
Cut-out depth	3 ¹ / ₁₆ " (78mm)
Weight	3.31 lb (1.5kg)
Color	White



The invisible great Focal sound.

The Focal Professional Commercial Integration range is the answer to two fundamental constraints:

- offering very high quality sound audio solutions
- promoting product integration to preserve architectural harmony.

Applications :

The Focal IC 106-T loudspeaker can be installed in numerous applications such as: conference rooms, shopping malls, lecture halls, restaurants, corridors, shops, swimming-pools, hotels, boats, museums, meeting rooms, ...

Packaging

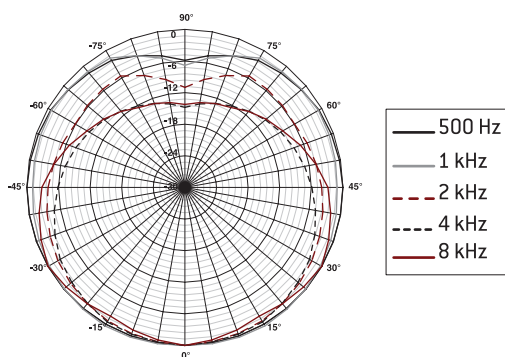
- 1 IC 106-T speaker with grille
- 1 cut-out template
- 1 protective mask
- 1 key to remove the grille
- 1 removable Focal logo

Environmental characteristics

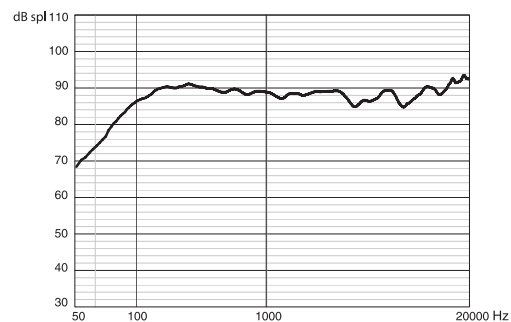
Ambient temperature	-25 °C to + 55 °C
Watertightness	Dampenvironment

Electrical diagram

Directivity



Frequency response



IC 106-T speaker level calculation table

Power/Distance	1 meter	2 meters	5 meters	Summary	125Hz	250Hz	500Hz	1kHz	2kHz	4kHz	8kHz
1 watt	89dB	83dB	75dB	NPA (1W/1m)[dB]	90	89	89	89	89	87	87
5 watts	96dB	90dB	82dB	NPA (20W/1m)[dB]	103	102	102	102	102	100	100
10 watts	99dB	93dB	85dB	opening angle at -6dB	180°	180°	180°	175°	150°	90°	110°
20 watts	102dB	96dB	88dB								

Values of average ambient level examples

110dB	Discotheque
90dB	Pub, stadium during a goal
80dB	Multipurpose room, station, stadium terraces
70dB	Supermarket, shop, swimming-pool, ice-rink
60dB	Conference room, office, museum, place of worship
50dB	Classroom
25dB	Quiet room

IC 106-T speaker coverage area

Speaker height / ground	2.5m	3m	4m	5m
1 speaker for	15m ²	30m ²	80m ²	150m ²