

LITTLE BIRD® & BIRD® STAND Specification sheet

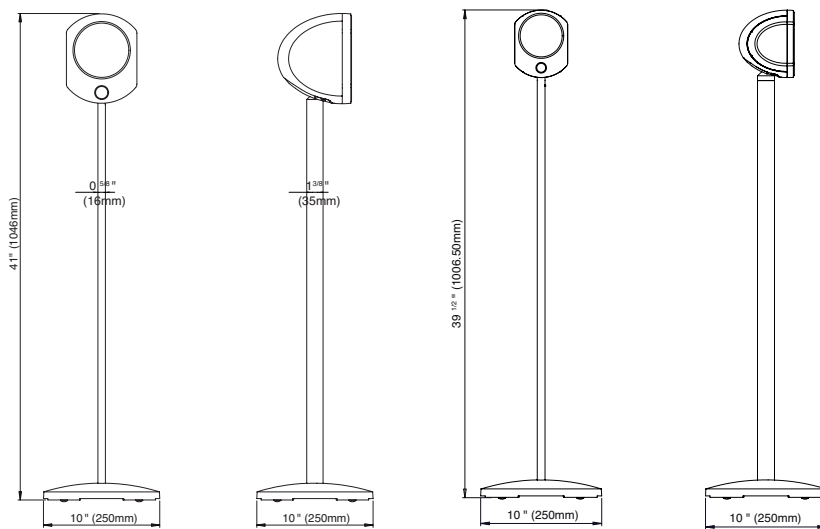
Designation : Bird pack 2 stands Little & Bird Black - Bird pack 2 stands Little & Bird White / Reference : Black R0503 - White R0504



Available in Diamond Black and Diamond White finishes



- Same stand for Bird and Little Bird, supplied with 2 dedicated joint
- Body in hollow steel for cable route
- Composite base with iron weight
- Ball-and-socket joint
- Available in pair
- Weight: 6.83lb (3.1kg)



Bird stand

Little Bird stand

