

TBe

Utopia Be® tweeter



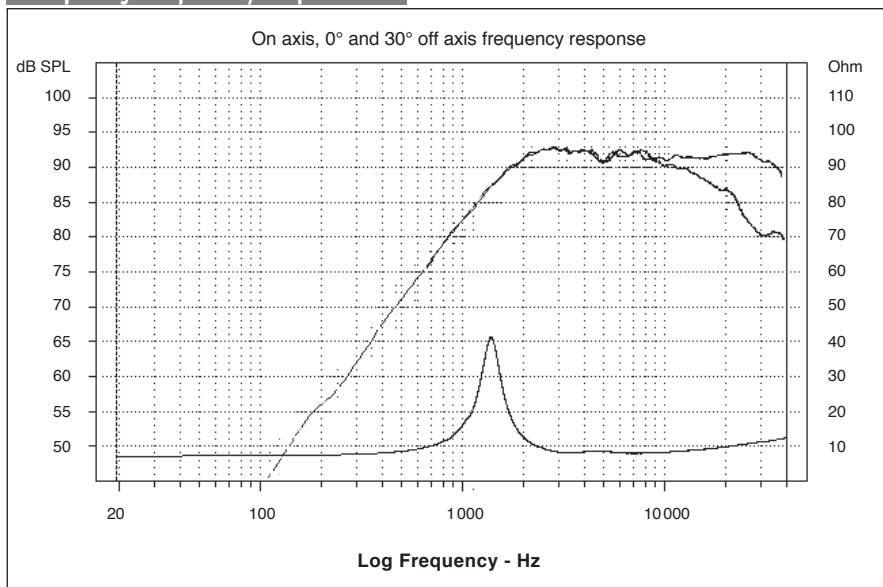
- Pure Beryllium inverted dome
- High power Neodymium ring magnet
- Thick cast zinc alloy mounting



Specifications

| | | |
|-----------------------|--------------------------|---------|
| Nominal power | 15 W (without filtering) | |
| Maximum power | 200 W (with filtering) | |
| Sensitivity (2.83V/m) | 94.1 dB | |
| Cone | Beryllium | |
| Surround | Foam | |
| Nom. impedance | 8 ohm | |
| DC resistance | 6 ohm | |
| VC diameter | 20 mm | 0.78 in |
| Former | Aluminum | |
| Layers | 2 | |
| Wire | Aluminum | |
| Inductance | 0.06 mH | |
| Xmax | - | |
| Magnet | Neodymium | |
| Flux density | 2.1 T | |
| Gap height | 2.5 mm | 0.1 in |
| Net weight | 0.2 kg | 0.44 lb |

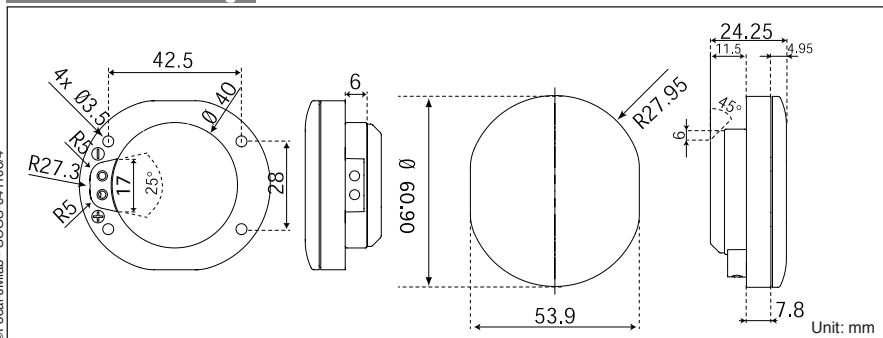
Frequency Response / Impedance



Parameters

| | |
|-----|---------------------|
| Fs | 1294 Hz |
| Vas | - |
| Qts | - |
| Qes | - |
| Qms | - |
| Re | 6 ohm |
| Sd | 4.9 cm ² |
| Cas | - |
| Mas | - |
| Ras | - |
| Cms | - |
| Mms | - |
| Rms | - |
| Ces | - |
| Les | - |
| Res | 42 ohm |
| BI | - |
| SPL | 93 dB/W/m |

Mechanical Drawing



Focal® is a trademark of Focal-JMLab®