

6 W3 Be

6.5" Utopia Be® woofer



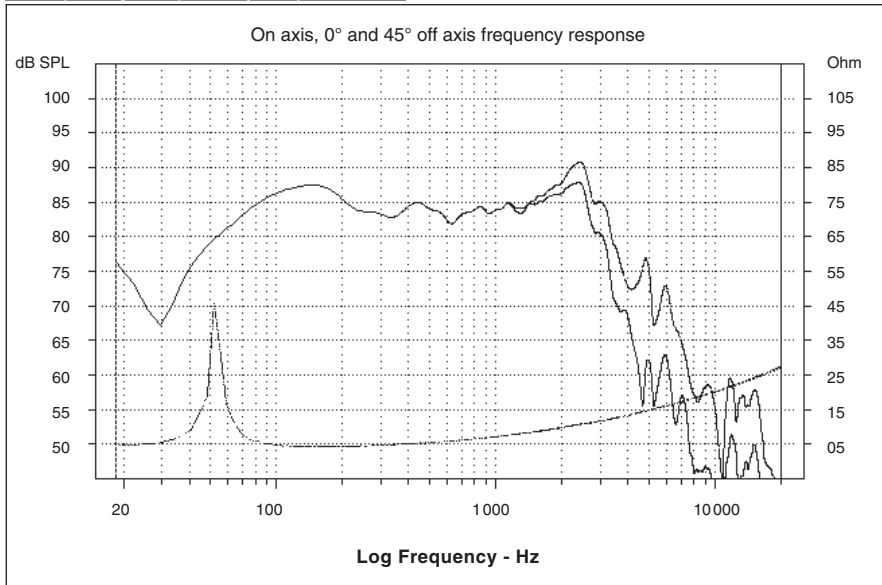
- W cone
- Neodymium magnet
- Zamak basket



Specifications

Nominal power	100 W	
Maximum power	200 W	
Sensitivity (2.83V/m)	89 dB	
Cone	W	
Surround	Rubber	
Nom. impedance	4 ohm	
DC resistance	3.22 ohm	
VC diameter	40 mm	1.57 in
VC height	17 mm	0.7 in
Former	Kapton®	
Layers	2	
Wire	Copper	
Inductance	0.69 mH	
Xmax	5.5 mm	
Magnet	Neodymium	
Flux density	0.8 T	
Gap height	6 mm	0.25 in
Net weight	0.9 kg	2 lbs

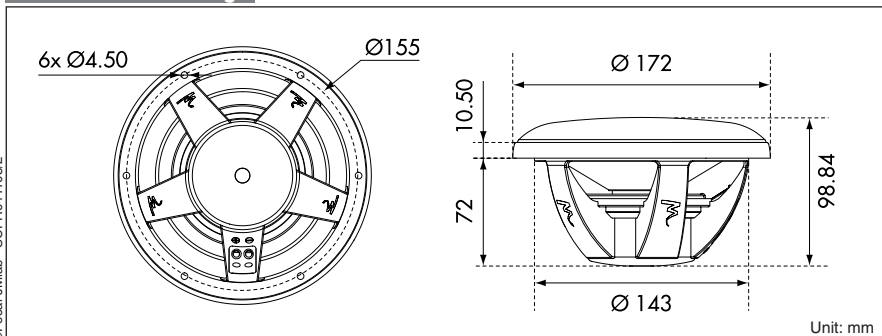
Frequency Response / Impedance



Parameters

Fs	55.28 Hz
Vas	9.92 l
Qts	0.765
Qes	0.82
Qms	11.42
Re	3.22 ohm
Sd	132.73 cm ²
Cas	7.07E-08 m ⁵ /N
Mas	117.32 kg/m ⁴
Ras	3568.36 ohm.ac
Cms	4.01E-04 m/N
Mms	20.67 g
Rms	0.629 kg/s
Ces	733.18 mF
Les	11.31 mH
Res	44.84 ohm
BI	5.31 N/A
SPL	84.95 dB/W/m

Mechanical Drawing



Focal® is a trademark of Focal-JMLab®