

# 6 K3P 6" K2 Power® woofer

(165 K3P kit: TN 52 + 6 K2P + 6 K3P + Fi 165 K2P + Fi 165 KB)



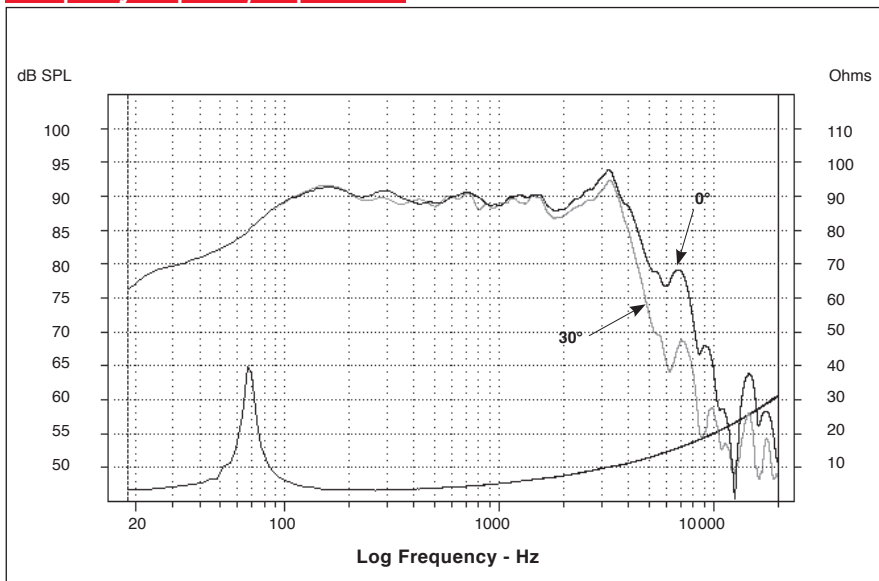
- High power handling
- Zamak basket
- Acoustically transparent dust cap



## Specifications

Nominal power	100 W	
Maximum power	200 W	
Sensitivity	91 dB	
Cone	K2 Composite Sandwich®	
Surround	Butyl	
Nom. impedance	4 ohms	
DC resistance	2.9 ohms	
VC diameter	40 mm	1.57 in
VC height	15 mm	0.58 in
Former	Kapton®	
Layers	2	
Wire	Copper	
Inductance	0.27 mH	
Xmax	4.5 mm	0.18 in
Magnet d x h	100 x 18 mm	3.93 x 0.71 in
Magnet weight	564 g	1.24 lb
Flux density	1.1 T	
Gap height	6 mm	0.23 in
Net weight	1.6 kg	3.52 lb

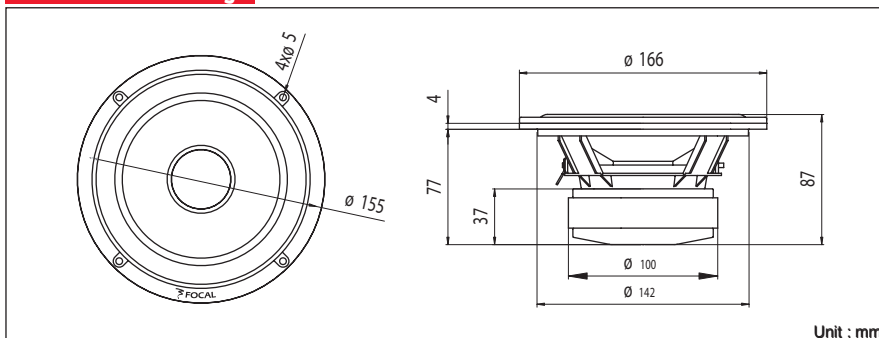
## Frequency Response / Impedance



## Parameters

Fs	67.87 Hz	
Vas	7.691 l	0.26 Ft <sup>3</sup>
Qts	0.617	
Qes	0.660	
Qms	9.46	
Re	2.94 ohms	
Sd	132.73 cm <sup>2</sup>	20.57 in <sup>2</sup>
Cas	5.48E-08 m <sup>5</sup> /N	
Mas	100.41 kg/m <sup>4</sup>	
Ras	4526.28 ohms.ac	
Cms	3.11E-04 m/N	
Mms	17.69 g	0.039 lb
Rms	0.797 g/s	
Ces	526.43 mF	
Les	10.45 mH	
Res	42.14 ohms	
BI	5.8 N/A	
SPL	87.46 dB/W/m	

## Mechanical Drawing



## Suggested application

Load	V (l)	Fb (Hz)	F-3 (Hz)	Ql
Sealed	30	-	70	7
Vented	-	-	-	-
Sealed	-	-	-	-

Focal® is a trademark of Focal-JMLab®