

6 K2P 6" K2 Power® woofer

(165 K2P kit: TN 52 + 6K2P + Fi 165 K2P)

(165 K3P kit: TN 52 + 6K2P + 6K3P + Fi 165 K2P + Fi 165 KB)



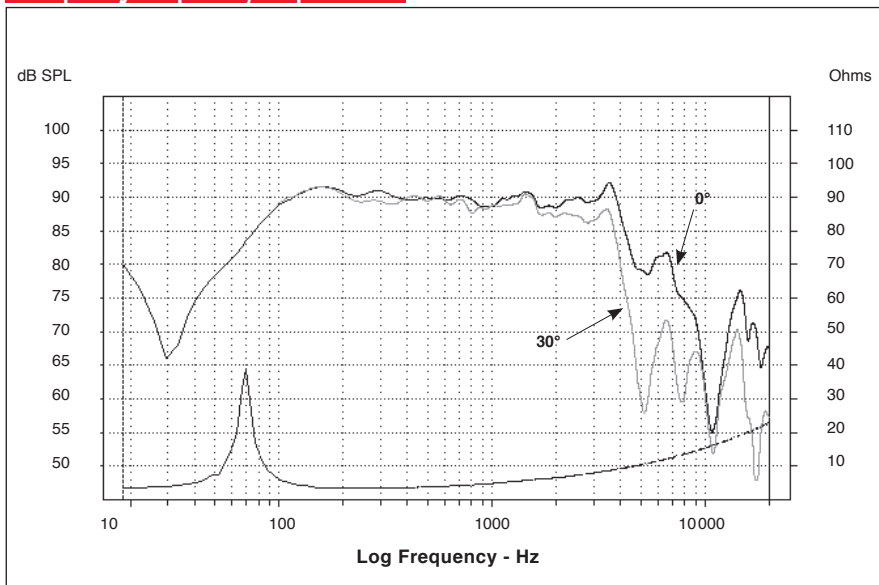
- High power handling
- Zamak basket
- Aluminium phase plug



Specifications

Nominal power	100 W	
Maximum power	200 W	
Sensitivity	92 dB	
Cone	K2 Composite Sandwich®	
Surround	Butyl	
Nom. impedance	4 ohms	
DC resistance	2.9 ohms	
VC diameter	40 mm	1.57 in
VC height	15 mm	0.58 in
Former	Kapton®	
Layers	2	
Wire	Copper	
Inductance	0.2 mH	
Xmax	4.5 mm	0.18 in
Magnet d x h	100 x 18 mm	3.93 x 0.71 in
Magnet weight	564 g	1.24lb
Flux density	1.1 T	
Gap height	6 mm	0.23 in
Net weight	1.6 kg	3.52 lb

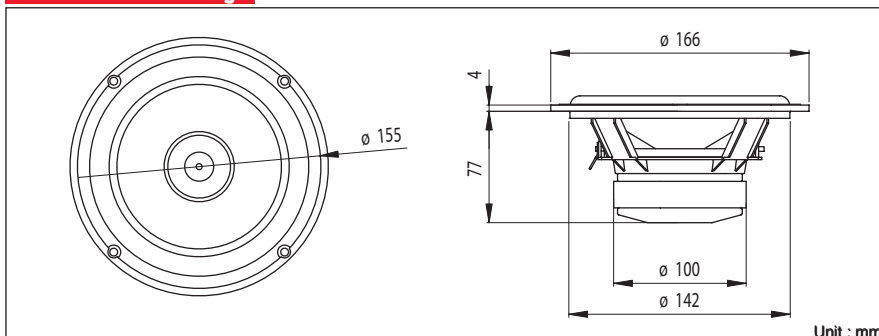
Frequency Response / Impedance



Parameters

Fs	68.88 Hz	
Vas	8.64 l	0.30 Ft³
Qts	0.65	
Qes	0.7	
Qms	9.13	
Re	2.93 ohms	
Sd	132.73 cm²	20.57 in²
Cas	6.15E-08 m⁵/N	
Mas	86.79 kg/m⁴	
Ras	4113.93 ohms.ac	
Cms	3.49E-4 m/N	
Mms	15.29 g	0.033 lb
Rms	725 g/s	
Ces	552.02 mF	
Les	9.67 mH	
Res	38.22 ohms	
BI	5.26 N/A	
SPL	87.9 dB/W/m	

Mechanical Drawing



Suggested application

Load	V (l)	Fb (Hz)	F-3 (Hz)	Ql
Sealed	30	-	70	7
Vented	-	-	-	-
Sealed	-	-	-	-

Focal® is a trademark of Focal-JMLab®