

690 CVX

6''x 9'' Polyglass woofer

- Built-in audiophile crossover
- Polyglass cone
- Adjustable inverted dome tweeter



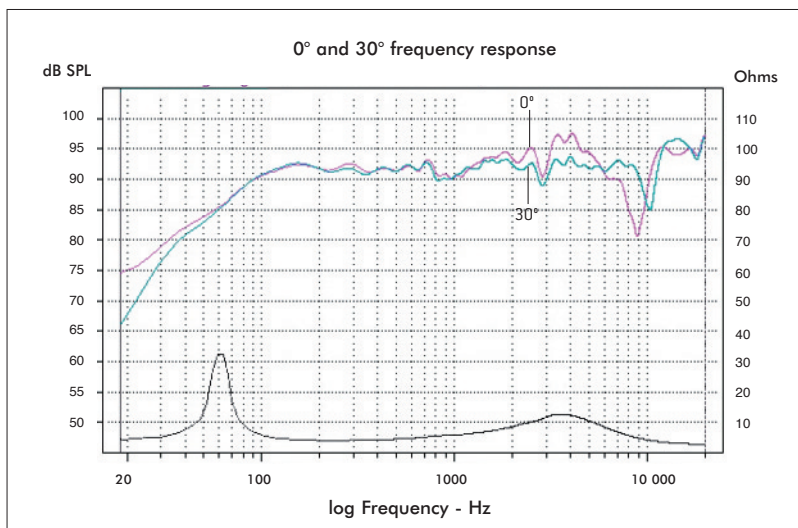
Specifications

Nominal power	80 W	
Maximum power	160 W	
Sensitivity	93 dB	
Cone	Polyglass	
Surround	Butyl	
Nom. impedance	4 ohms	
DC resistance (in parallel)	3.59 ohms	
VC diameter	30 mm	1-3/16 in
VC height	13 mm	1/2 in
Former	Kapton®	
Layers	2	
Wire	Copper	
Inductance	-	
Xmax	2.5 mm	1/8 in
Magnet (d x h)	90 x 17 mm	3-9/16x2/3in
Magnet weight	0.4 kg	0.88 lb
Flux density	0.95 T	
Gap height	5.5 mm	3/16 in
Net weight	1.1 kg	2.42 lb

Parameters

Fs	60.32 Hz
Vas	59.54 l
Qts	0.69
Qes	0.76
Qms	7.91
Re (in parallel)	3.59 ohms
Sd	346.36 cm ²
Cas	4.24E-07 m ⁵ /N
Mas	16.42 kg/m ⁴
Ras	786.82 ohms.ac
Cms	3.53E-04 m/N
Mms	19.70 g
Rms	0,944 kg/s
Ces	558.57 mF
Les	12.46 mH
Res	37.36 ohms
Bl	5.94 N/A
SPL	92.8 dB/W/m

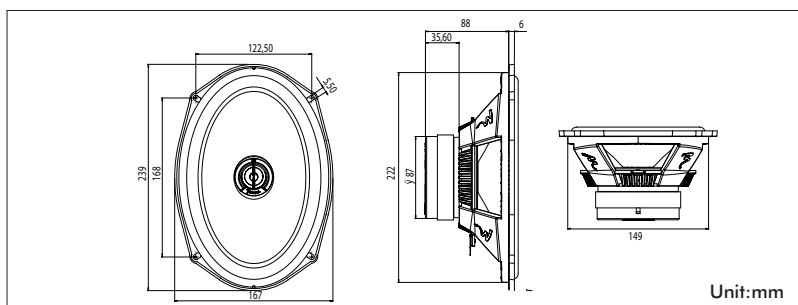
Frequency response / Impedance



Suggested application

Load	V (l)	FB (Hz)	F-3 (Hz)	Q1
Sealed	150	-	62	0.8

Mechanical Drawing



Focal® is a trademark of Focal-JMlab® - BP 374 - 108, rue de l'Avenir - 42353 La Taubaudière cedex France - Tel. 33 00 4 77 43 57 00 - Fax 33 00 4 77 37 65 87 - www.focal-fr.com - SCAZ071113/1



FOCAL
THE SPIRIT OF SOUND