

5 KP 5" K2 Power® woofer

(130 KF kit: 5 KP woofer + TN 47 tweeter + FA 130 KF crossover)
 (130 KP kit: 5 KP woofer + TN 52 tweeter + FA 130 KP crossover)



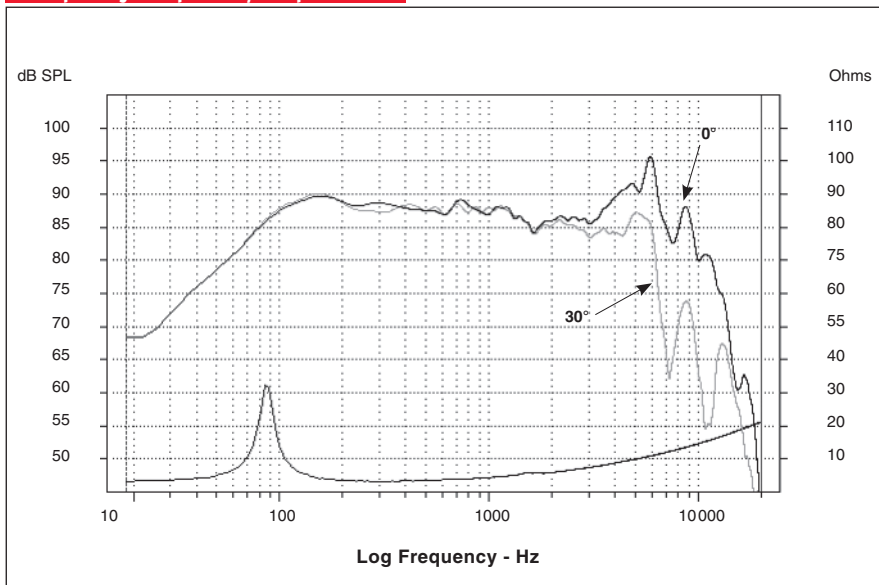
- High power handling
- Zamak basket
- Acoustically transparent dust cap



Specifications

Nominal power	70 W	
Maximum power	140 W	
Sensitivity	90 dB	
Cone	K2 Composite Sandwich®	
Surround	Butyl	
Nom. impedance	4 ohms	
DC resistance	3.2 ohms	
VC diameter	25 mm	0.98 in
VC height	10 mm	0.4 in
Former	Kapton®	
Layers	2	
Wire	Copper	
Inductance	0.45 mH	
Xmax	2.5 mm	0.1 in
Magnet d x h	85 x 15 mm	3.34 x 0.60 in
Magnet weight	361 g	0.80 lb
Flux density	0.9 T	
Gap height	5 mm	0.2 in
Net weight	0.75 kg	1.65 lb

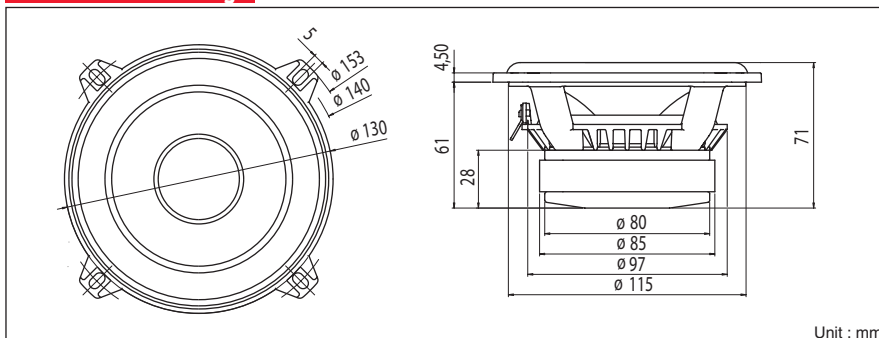
Frequency Response / Impedance



Parameters

Fs	88.64 Hz	
Vas	4.93 l	0.17 Ft ³
Qts	0.678	
Qes	0.74	
Qms	8.06	
Re	3.2 ohms	
Sd	86.59 cm ²	13.42 in ²
Cas	3.51E-08 m ⁵ /N	
Mas	110.97 kg/m ⁴	
Ras	6975.6 ohms.ac	
Cms	4.68E-4 m/N	
Mms	8.32 g	0.018 lb
Rms	523 g/s	
Ces	456.41 mF	
Les	8.53 mH	
Res	34.85 ohms	
BI	4.27 N/A	
SPL	87.27 dB/W/m	

Mechanical Drawing



©Focal-JMLab - SC050131/1

Suggested application

Load	V (l)	Fb (Hz)	F-3 (Hz)	Ql
Sealed	30	-	84	7
Vented	-	-	-	-
Sealed	-	-	-	-

Focal® is a trademark of Focal-JMLab®