

# 40 KX

400 mm K2 Power® subwoofer



- Multiferrites magnet
- Zamak basket
- For closed box
- High power handling
- Dual voice coil

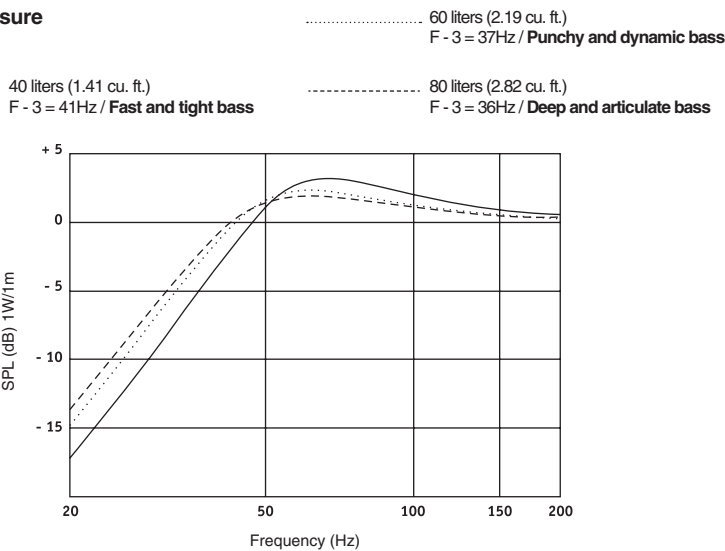


## Specifications

Nominal power	500 W	
Maximum power	1000 W	
Sensitivity	92.5 dB	
Cone	K2 Composite Sandwich®	
Surround	Butyl	
Nom. impedance	4 ohms (2 x 2)	
DC resistance	4.2 ohms (2 x 2.1)	
VC diameter	65 mm	2.55 in
VC height	32 mm	1.25 in
Former	aluminium	
Layers	4	
Wire	Copper	
Inductance	4.2 mH (in series)	
Xmax	11 mm	0.43 in
Magnet d x h (18)	60 x 14 mm	2.36 x 0.55 in
Magnet weight	2916 g	6.42 lb
Flux density	0.9 T	
Gap height	10 mm	0.39 in
Net weight	10.7 kg	23.58 lb

## Suggested Application

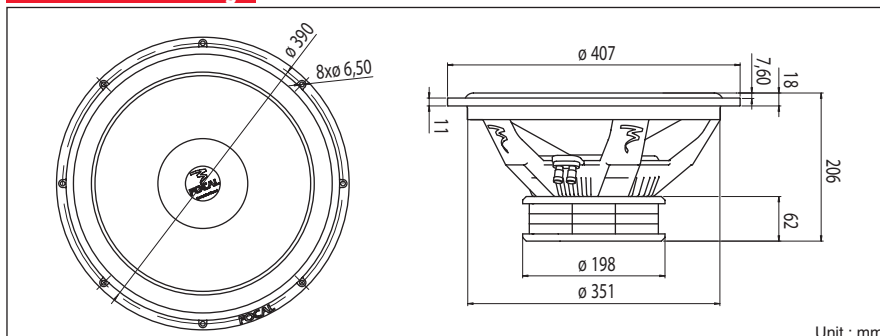
### Sealed enclosure



## Parameters

Fs	34.6 Hz	
Vas	64.83 l	2.28 Ft <sup>3</sup>
Qts	0.82	
Qes	0.97	
Qms	5.3	
Re	4.2 ohms (in series)	
Sd	804.25 cm <sup>2</sup>	124.65 in <sup>2</sup>
Cas	4.62E-07 m <sup>5</sup> /N	
Mas	45.84 kg/m <sup>4</sup>	
Ras	1880.29 ohms.ac	
Cms	7.14E-05 m/N	
Mms	296.5 g	0.65 lb
Rms	12.162 g/s	
Ces	1062.35 mF	
Les	19.92 mH	
Res	22.95 ohms	
BI	16.71 N/A (in series)	
SPL	86.26 dB/W/m	

## Mechanical Drawing



## Suggested application

Load	V (l)	Fb (Hz)	F-3 (Hz)	Ql
Sealed	40	-	41	7
Sealed	60	-	37	7
Sealed	80	-	36	7

Focal® is a trademark of Focal-JMLab®