

# 30 A1

30 cm (12'') Access 1 subwoofer (Aftersales Dpt ref: 12 A1)

- All weather woven glass fiber cone
- 50 mm/4 layer voice coil
- Voice coil cooling system



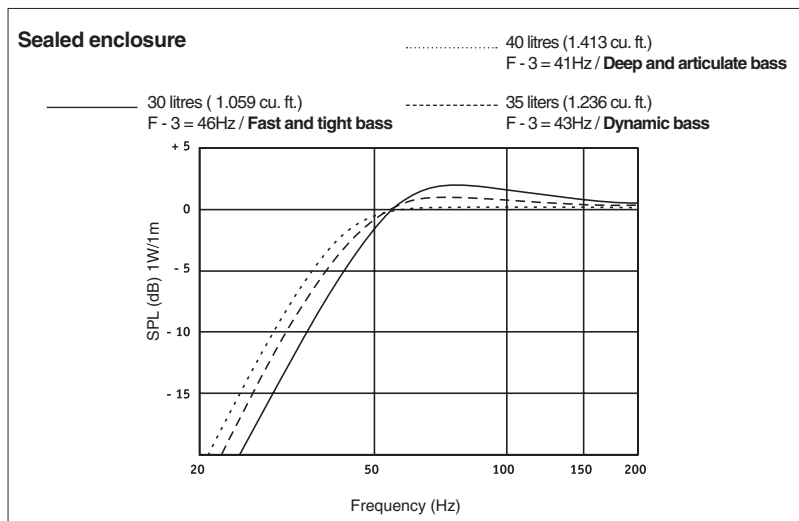
## Specifications

Nominal power	250 W	
Maximum power	500 W	
Sensitivity	94 dB	
Cone	Braided glass fiber	
Surround	Butyl	
Nom. impedance	4 ohms	
DC resistance	3.2 ohms	
VC diameter	50 mm	2 in
VC height	19 mm	3/4 in
Former	Kapton®	
Layers	4	
Wire	Copper	
Inductance	1 mH	
Xmax	5.5 mm	3/16 in
Magnet d x h	145 x 20 mm	5-11/16x13/16in
Magnet weight	1.15 kg	2.45 lb
Flux density	0.8 T	
Gap height	8 mm	5/16 in
Net weight	4.2 kg	9.25 lb

## Parameters

Fs	37.4 Hz
Vas	52.97 l
Qts	0.42
Qes	0.45
Qms	6.37
Re	3.2 ohms
Sd	510.71 cm <sup>2</sup>
Cas	3.77E-07 m <sup>5</sup> /N
Mas	48.02 kg/m <sup>4</sup>
Ras	1771.39 ohms.ac
Cms	1.45E-04 m/N
Mms	125.24 g
Rms	4.62 kg/s
Ces	598.43 mF
Les	30.26 mH
Res	45.3 ohms
BI	14.47 N/A
SPL	89.73 dB/W/m

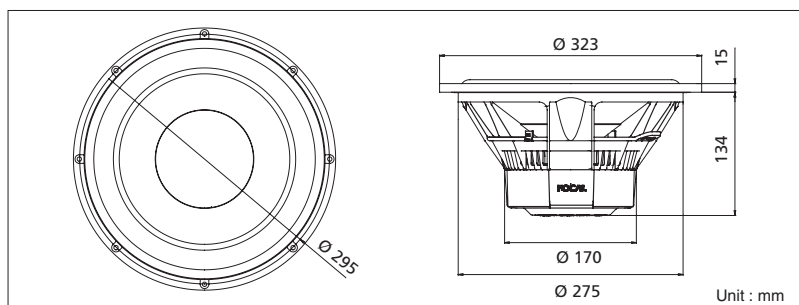
## Suggested Application



## Suggested application

Load	V (l)	Fb (Hz)	F-3 (Hz)	Ql	Port
Vented	30	47	46	7	8x17cm = 3-1/8x6-11/16in
Vented	35	42	43	7	9x25cm = 3-9/16x9-13/16in
Vented	40	37	41	7	10x35cm = 3-15/16x13-3/4in

## Mechanical Drawing



©Focal-JMlab - AS05026/2

Focal® is a trademark of Focal-JMlab® - BP 374 - 108, rue de l'Avenir - 42353 La Talaudière cedex France - Tel. 33 00 4 77 43 57 00 - Fax 33 00 4 77 37 65 87 - www.focal-fr.com - SCAS051018/2

