

27 V1

270mm (11") Polyglass subwoofer



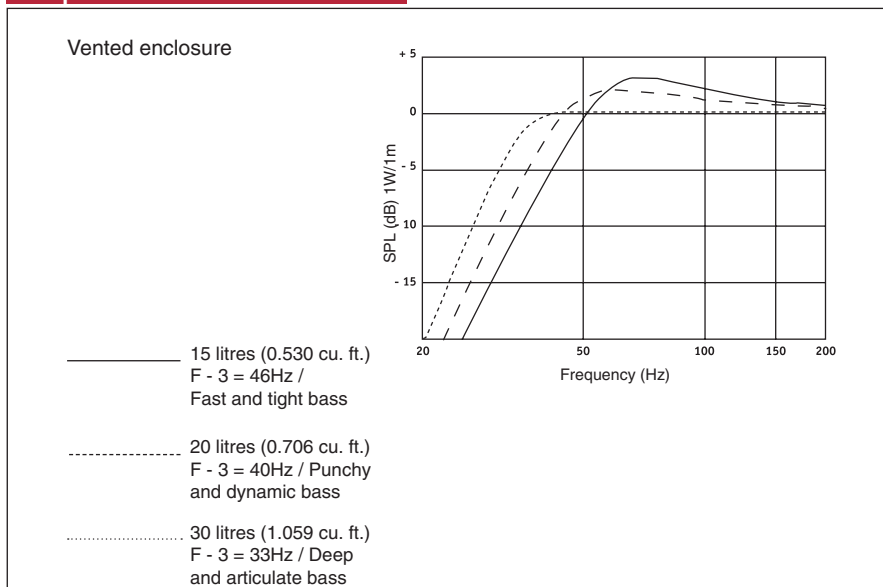
- 50mm / 4 layers voice-coil
- Polyglass cone
- Zamak basket



Specifications

Nominal power	250 W	
Maximum power	500 W	
Sensitivity (2.83V/m)	90 dB	
Cone	Polyglass	
Surround	Butyl	
Nom. impedance	4 ohm	
DC resistance	2.9 ohm	
VC diameter	50 mm	2 in
VC height	20 mm	3/4 in
Former	Aluminum	
Layers	4	
Wire	Copper	
Inductance	1.5 mH	
Xmax	6 mm	1/4 in
Magnet (hxd)	120 x 25 mm	4 ^{3/4} x 1 in
Magnet weight	870 g	1.93 lb
Flux density	0.8 T	
Gap height	8 mm	0.31 in
Net weight	3.95 kg	8.7 lb

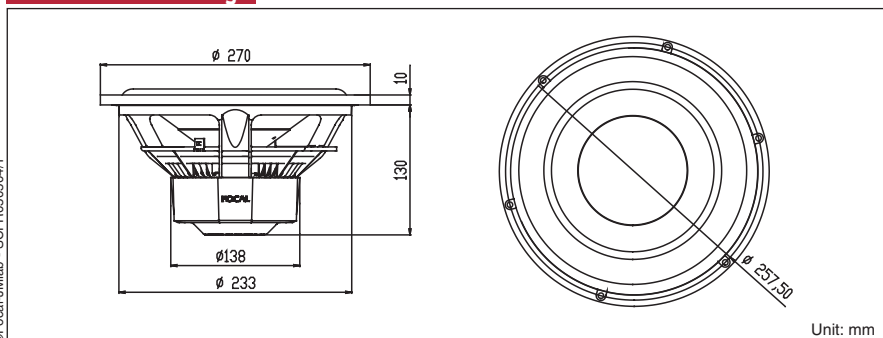
Response curve



Parameters

Fs	39.01 Hz	
Vas	21.43 l	0.75 Ft ³
Qts	0.44	
Qes	0.51	
Qms	3.47	
Re	2.9 ohm	
Sd	330 cm ²	51 ^{1/16} in ²
Cas	1.53E-07 m ⁵ /N	
Mas	109.11 kg/m ⁴	
Ras	7707.32 ohm.ac	
Cms	1.40E-04 m/N	
Mms	118.87 g	0.25 lb
Rms	8.40 kg/s	
Ces	717.49 mF	
Les	23.20 mH	
Res	19.73 ohm	
Bl	12.87 N/A	
SPL	85.8 dB/W/m	

Mechanical Drawing



Suggested application

Load	Vol	Fb	F-3 (Hz)	Ql
Vented	15 l	51	46	7
Vented	20 l	44	40	7
Vented	30 l	36	33	7

Focal® is a trademark of Focal-JMLab®