

270 V3

10" Polyglass woofer



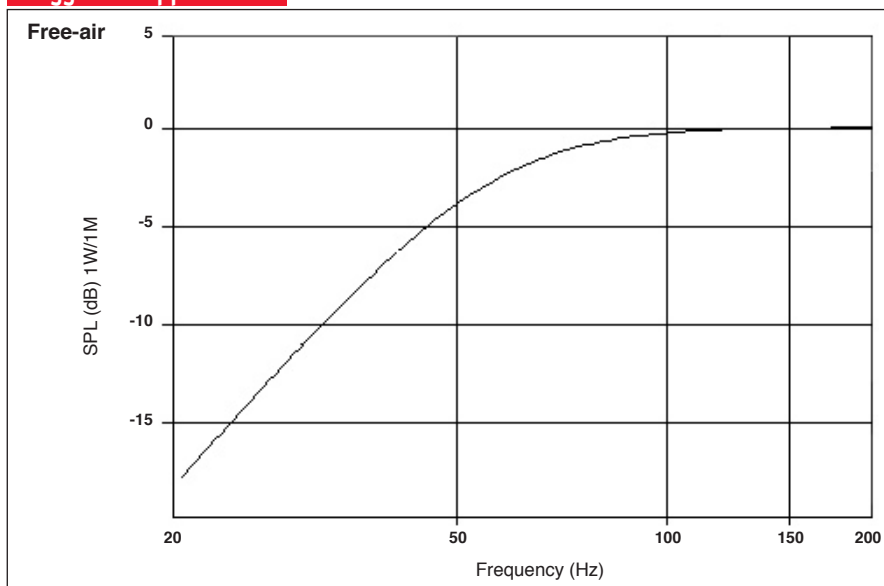
- Zamak chassis
- Polyglass cone, Butyl surround
- High power handling



Specifications

Nominal power	300 W	
Maximum power	150 W	
Sensitivity	94 dB	
Cone	Polyglass	
Surround	Butyl	
Nom. impedance	4 ohms	
DC resistance	3.10 ohms	
VC diameter	40 mm	
VC height	17 mm	
Former	Kapton	
Layers	2	
Wire	Copper	
Inductance	1 mH	
Xmax	5.5 mm	
Magnet d x h	120 x 25 mm	
Magnet weight	2.2 kg	4.85 lb
Flux density	1.2 T	
Gap height	6 mm	
Net weight	3400 g	7.5 lb

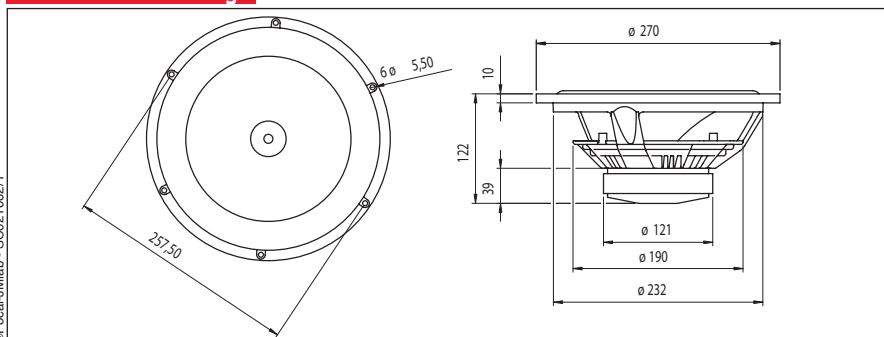
Suggested Application



Parameters

Fs	51.10 Hz	
Vas	33,25 l	1.174 Ft ³
Qts	0.663	
Qes	0.730	
Qms	7.280	
Re	3.1 ohms	
Sd	346.36 cm ²	53.68 in ²
Cas	2.37E-07 m ⁵ /N	
Mas	40.97 kg/m ⁴	
Ras	1806.91 ohms.ac	
Cms	1.97E-04 m/N	
Mms	49.15 g	0.1 lb
Rms	2.168 Kg/s	
Ces	733.43 mF	
Les	13.23 mH	
Res	30.92 ohms	
Bl	8.19 N/A	
SPL	89.68 dB/W/m	

Mechanical Drawing



Suggested application

Load	V (l)	Fb (Hz)	F-3 (Hz)	Ql
Vented	-	-	-	-
Sealed	-	-	-	-

Focal® is a trademark of Focal-JMLab®