

165 VR3

6" Polyglass woofer

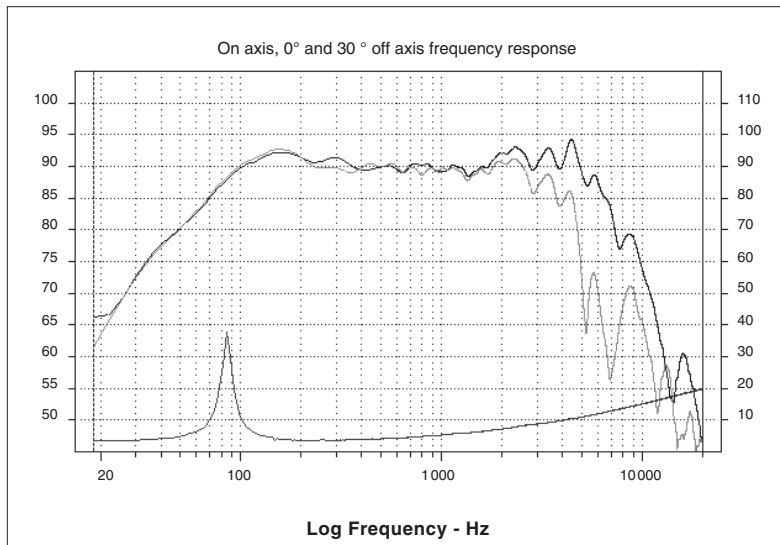
- Zamak chassis
- Polyglass cone, Butyl surround
- 25mm Kapton voice-coil former



Specifications

Nominal power	75 W
Maximum power	150 W
Sensitivity	93 dB
Cone	Polyglass
Surround	Butyl
Nom. impedance	4 ohms
DC resistance	3.1 ohms
VC diameter	25 mm
VC height	13 mm
Former	Kapton
Layers	2
Wire	Copper
Inductance	0.22 mH
Xmax	3.5 mm
Magnet d x h	85 x 15 mm 3 ¹ / ₃ x 9/16 in
Magnet weight	750 g 1.65 lb
Flux density	0.9 T
Gap height	5 mm
Net weight	950 g 2.1 lb

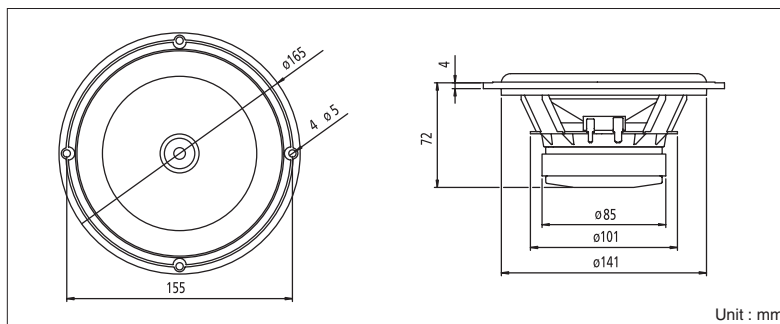
Frequency response / Impedance



Parameters

Fs	83.24 Hz
Vas	6.85 l 0.242 Ft ³
Qts	0.830
Qes	0.900
Qms	10.720
Re	3.1 ohms
Sd	132.73 cm ² 20.57 in ²
Cas	4.88E-08 m ⁵ /N
Mas	74.92 kg/m ⁴
Ras	3655.43 ohms.ac
Cms	2.77E-04 m/N
Mms	13.20 g 0.03 lb
Rms	0.644 Kg/s
Ces	555.10 mF
Les	6.59 mH
Res	36.92 ohms
BI	4.88 N/A
SPL	88.27 dB/W/m

Mechanical Drawing



Suggested application

Load	V (l)	Fb (Hz)	F-3 (Hz)	QI
Sealed	30	-	75	7

