

165 VR

6.5" Polyglass woofer

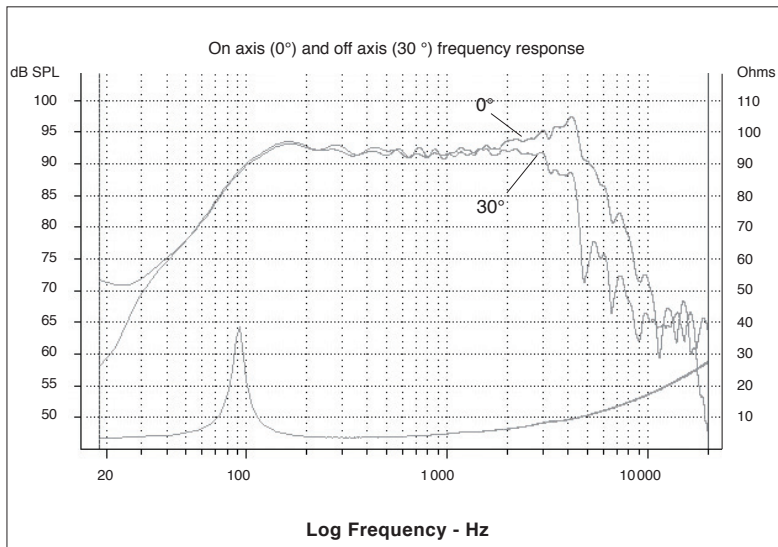
- Polyglass cone
- Aluminium phase plug
- Zamac chassis



Specifications

Nominal power	75 W	
Maximum power	150 W	
Sensitivity	94.5 dB	
Cone	Polyglass	
Surround	Butyl	
Nom. impedance	4 ohms	
DC resistance	3,2 ohms	1.25 in
VC diameter	32 mm	0.4 in
VC height	11 mm	
Former	Kapton	
Layers	2	
Wire	Copper	
Inductance	0,25mH	
Xmax	2 mm	
Magnet d x h	85 x 17 mm	3.35 x 0.67 in
Magnet weight	420 g	0.93 lb
Flux density	1,1 T	
Gap height	6 mm	
Net weight	1350 g	2.98 lb

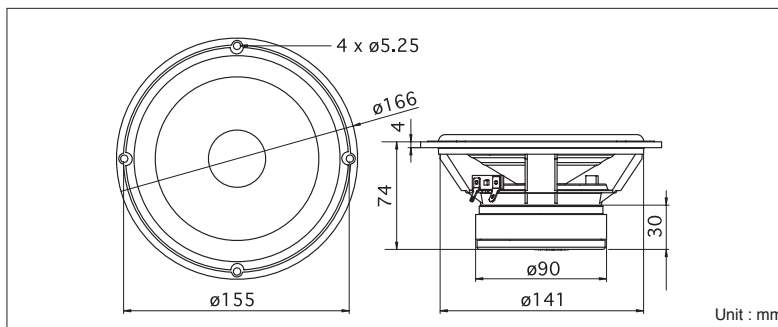
Frequency response / Impedance



Parameters

Fs	89.4 Hz	
Vas	6.641	
Qts	0.703	
Qes	0.75	
Qms	11.23	
Re	3.2 ohm	
Sd	136.85 cm ²	
Cas	4.73e-08 m5/N	
Mas	67,07 Kg/m4	
Ras	3354,69 ohms.ac	
Cms	2.52e-04 m/N	
Mms	12.56 g	
Rms	0.628 Kg/s	
Ces	417.25 mF	
Les	7.6 mH	
Res	47.91 ohms	
Bl	5.49 N/A	
SPL	89.85 dB/W/m	

Mechanical Drawing



Suggested application

Load	V (l)	Fb (Hz)	F-3 (Hz)	QI
Sealed	30	-	90	0.77

