

165 A1

6'' Access 1 woofer (Aftersales Dpt ref: 6A1)

- All weather woven glass fiber cone
- Phase plug
- Voice coil cooling system



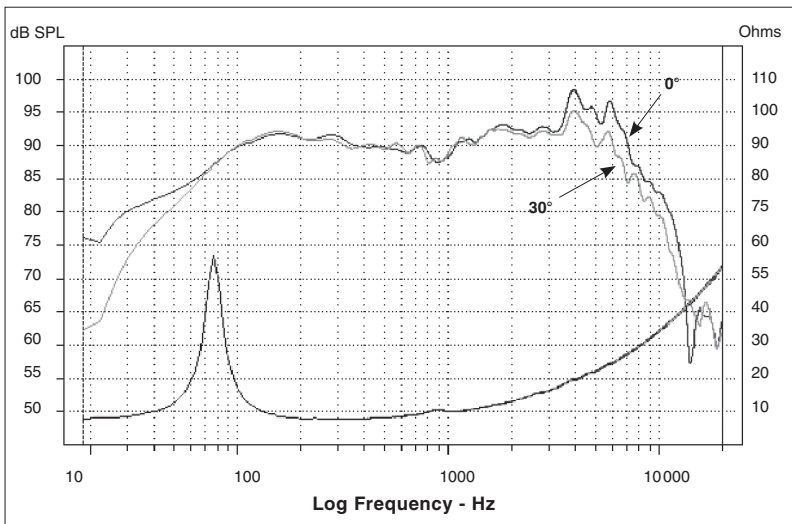
Specifications

Nominal power	60 W	
Maximum power	120 W	
Sensitivity	92 dB	
Cone	Braided glass fiber®	
Surround	Butyl	
Nom. impedance	4 ohms	
DC resistance	3.45 ohms	
VC diameter	25 mm	1 in
VC height	11 mm	7/16 in
Former	Kapton®	
Layers	2	
Wire	Copper	
Inductance	0.21 mH	
Xmax	2.5 mm	1/16 in
Magnet d x h	85 x 15 mm	3-1/3 x 9/16 in
Magnet weight	0.35 kg	0.66 lb
Flux density	1.3 T	
Gap height	5.5 mm	3/16 in
Net weight	0.85 kg	1.87 lb

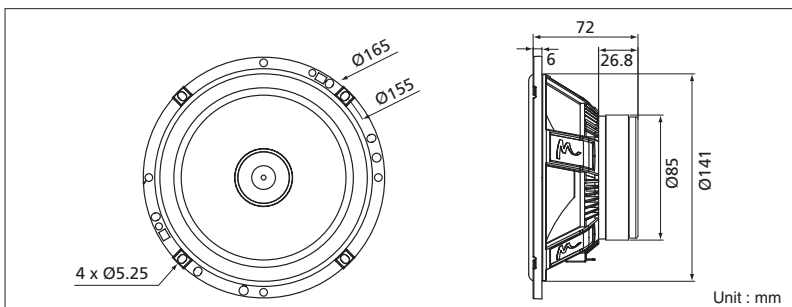
Parameters

Fs	77.95 Hz
Vas	8.27 l
Qts	0.77
Qes	0.87
Qms	7.1
Re	3.46 ohms
Sd	137 cm ²
Cas	5.87E-08 m ⁵ /N
Mas	70.97 kg/m ⁴
Ras	4895.39 ohms.ac
Cms	3.14E-04 m/N
Mms	13.29 g
Rms	0.917 kg/s
Ces	514.88 mF
Les	8.1 mH
Res	28.16 ohms
Bl	5.08 N/A
SPL	88.36 dB/W/m

Frequency Response / Impedance



Mechanical Drawing



©Focal-JMlab - AS050926/2

Suggested application

Load	V (l)	Fb (Hz)	F-3 (Hz)	Ql
Sealed	30	-	74	0.87
Sealed	-	-	-	-
Sealed	-	-	-	-

