

# 4 K Slim (kit 100 KP)

4" K2 Power® slim midrange



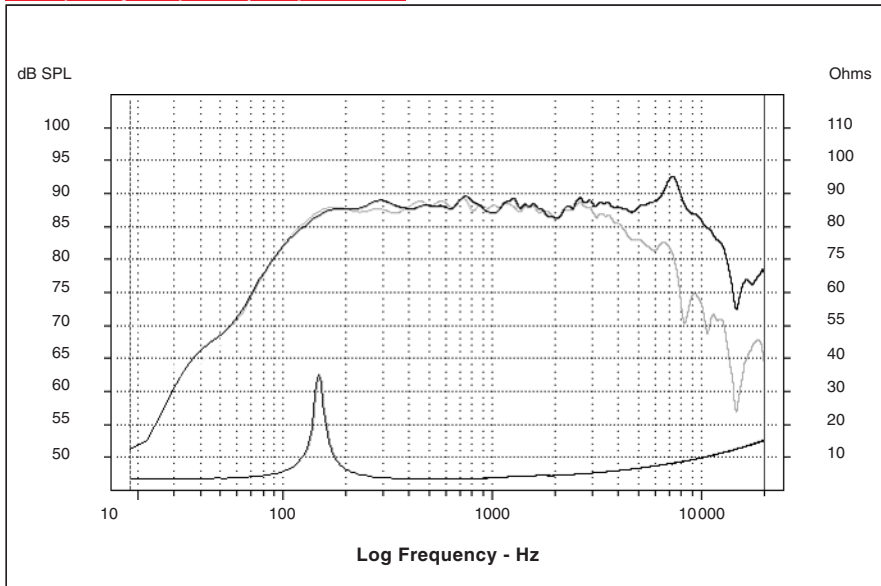
- Extra slim 39 mm
- Zamak basket
- Aluminium phase plug
- Neodymium magnet



## Specifications

Nominal power	50 W	
Maximum power	100 W	
Sensitivity	90 dB	
Cone	K2 Composite Sandwich®	
Surround	Butyl	
Nom. impedance	4 ohms	
DC resistance	3.2 ohms	
VC diameter	25 mm	0.98 in
VC height	8.5 mm	0.33 in
Former	Kapton®	
Layers	2	
Wire	Copper	
Inductance	0.26 mH	
Xmax	2.5 mm	0.1 in
Magnet d x h	-	-
Magnet weight	-	-
Flux density	0.9 T	
Gap height	3 mm	0.11 in
Net weight	0.35 kg	0.77 lb

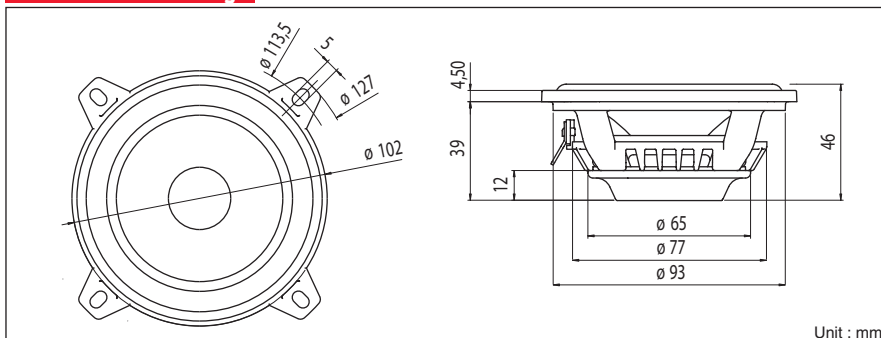
## Frequency Response / Impedance



## Parameters

Fs	140.6 Hz	
Vas	1.13 l	0.039 Ft <sup>3</sup>
Qts	0.872	
Qes	0.96	
Qms	9.55	
Re	3.2 ohms	
Sd	55.42 cm <sup>2</sup>	8.6 in <sup>2</sup>
Cas	8.04E-09 m <sup>5</sup> /N	
Mas	159.23 kg/m <sup>4</sup>	
Ras	14733.21 ohms.ac	
Cms	2.62E-4 m/N	
Mms	4.89 g	0.01 lb
Rms	0.452 g/s	
Ces	339.49 mF	
Les	3.77 mH	
Res	31.83 ohms	
BI	3.8 N/A	
SPL	87 dB/W/m	

## Mechanical Drawing



©Focal-JMLab - SC030519/1

## Suggested application

Load	V (l)	Fb (Hz)	F-3 (Hz)	Ql
Sealed	30	-	120	7
Vented	-	-	-	-
Sealed	-	-	-	-

Focal® is a trademark of Focal-JMLab®