

# 100 CA1

4'' Access 1 coaxial (Aftersales Dpt ref: 4CA1)

- Adjustable aluminum inverted dome tweeter
- All weather woven glass fiber cone



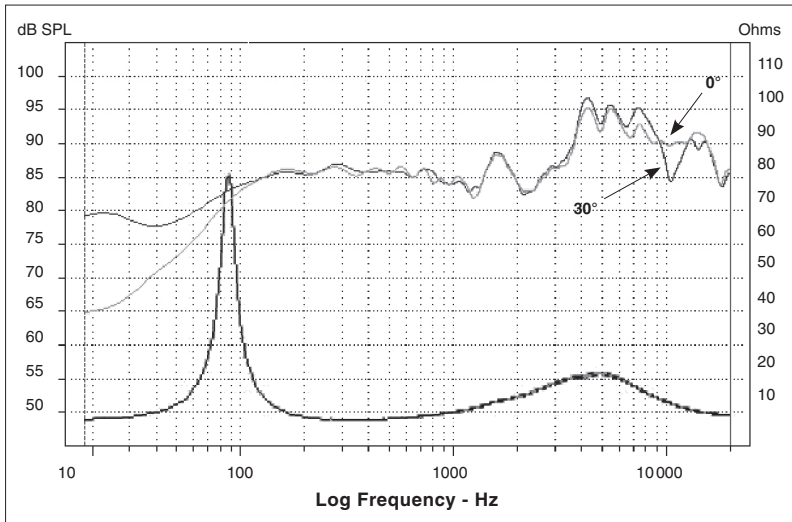
## Specifications

Nominal power	40 W	
Maximum power	80 W	
Sensitivity	89 dB	
Cone	Braided glass fiber	
Surround	Butyl	
Nom. impedance	4 ohms	
DC resistance	3.3 ohms	
VC diameter	25 mm	1 in
VC height	11 mm	7/16 in
Former	Kapton®	
Layers	2	
Wire	Copper	
Inductance	-	
Xmax	2.5 mm	0.18 in
Magnet d x h	70 x 15 mm	2-3/4 x 9/16 in
Magnet weight	0.25 kg	0.66lb
Flux density	1 T	
Gap height	5.5 mm	3/16 in
Net weight	0.5 kg	1.1 lb

## Parameters

Fs	90.28 Hz
Vas	1.94 l
Qts	0.632
Qes	0.68
Qms	9.05
Re	3.3 ohms
Sd	54.11 cm <sup>2</sup>
Cas	1.38E-08 m5/N
Mas	225.45 kg/m4
Ras	14131.06 ohms.ac
Cms	4.71E-04 m/N
Mms	6.6 g
Rms	0.414 kg/s
Ces	363.26 mF
Les	8.56 mH
Res	43.92 ohms
BI	4.26 N/A
SPL	85.05 dB/W/m

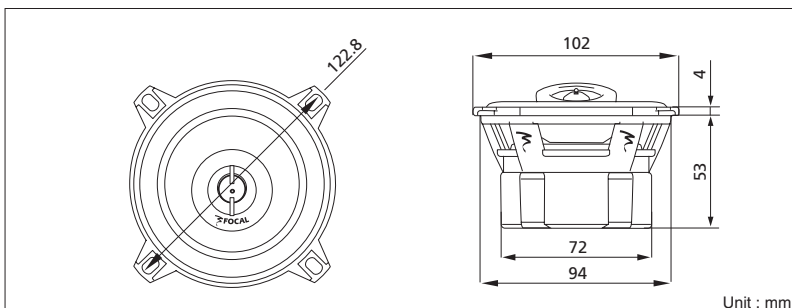
## Frequency Response / Impedance



## Suggested application

Load	V (l)	Fb (Hz)	F-3 (Hz)	Ql
Sealed	30	-	101	0.65
Vented	-	-	-	-
Sealed	-	-	-	-

## Mechanical Drawing



©Focal-JMlab - AS050926/2

Focal® is a trademark of Focal-JMlab® - BP 374 - 108, rue de l'Avenir - 42353 La Talaudière cedex France - Tél. (33) 04 77 43 57 00 - Fax (33) 04 77 37 65 87 - www.focal-fr.com - SCAS051018/2

