

25 A1

25 cm (10'') Access 1 subwoofer (Aftersales Dpt ref: 10 A1)

- All weather woven glass fiber cone
- 50 mm/4 layer voice coil
- Voice coil cooling system



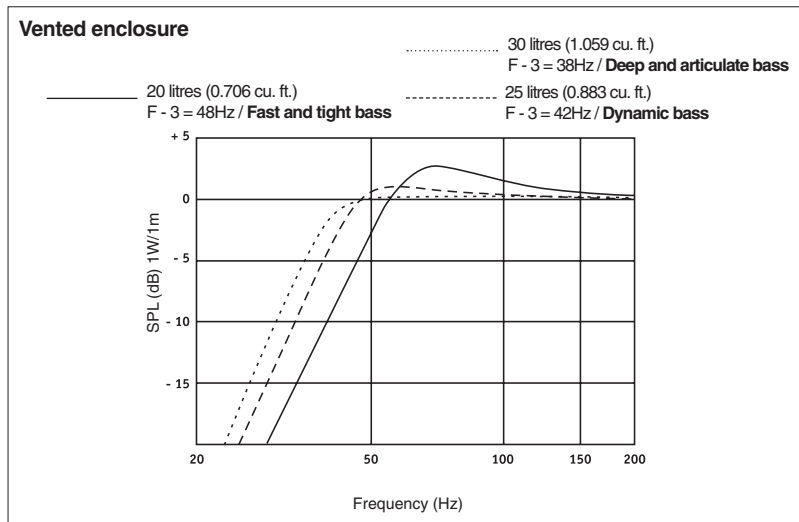
Specifications

Nominal power	200 W	
Maximum power	400 W	
Sensitivity	92 dB	
Cone	Braided glass fiber	
Surround	Butyl	
Nom. impedance	4 ohms	
DC resistance	3.35 ohms	
VC diameter	50 mm	2 in
VC height	19 mm	3/4 in
Former	Kapton®	
Layers	4	
Wire	Copper	
Inductance	1 mH	
Xmax	5.5 mm	3/16 in
Magnet d x h	145 x 20 mm	5-11/16x13/16 in
Magnet weight	1.15 kg	2.15 lb
Flux density	0.8 T	
Gap height	8 mm	5/16 in
Net weight	3.9 kg	8.6 lb

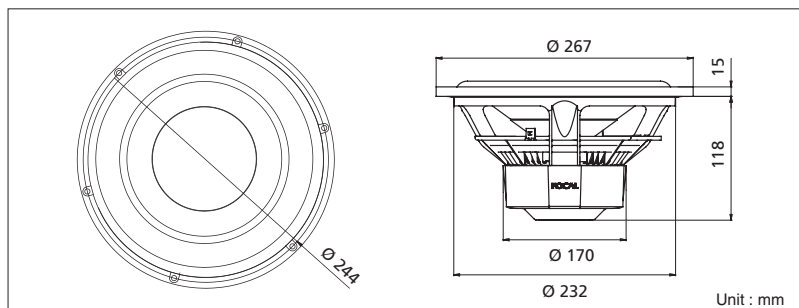
Parameters

Fs	40.61 Hz
Vas	24.34 l
Qts	0.382
Qes	0.4
Qms	8.65
Re	3.35 ohms
Sd	339.79 cm ²
Cas	1.73 E-07 m ⁵ /N
Mas	88.65 kg/m ⁴
Ras	2614.88 ohms.ac
Cms	1.50 E-04 m/N
Mms	102.35 g
Rms	3.019 kg/s
Ces	467.95 mF
Les	32.82 mH
Res	72.44 ohms
BI	14.79 N/A
SPL	87.94 dB/W/m

Suggested Application



Mechanical Drawing



Suggested application

Load	V (l)	Fb (Hz)	F-3 (Hz)	QI	Port
Vented	20	53	48	7	9x27 cm = 3-9/16x10-5/8 in
Vented	25	46	42	7	8x23 cm = 3-1/8x9-1/16 in
Vented	30	46	38	7	8x25 cm = 3-1/8x9-13/16 in

