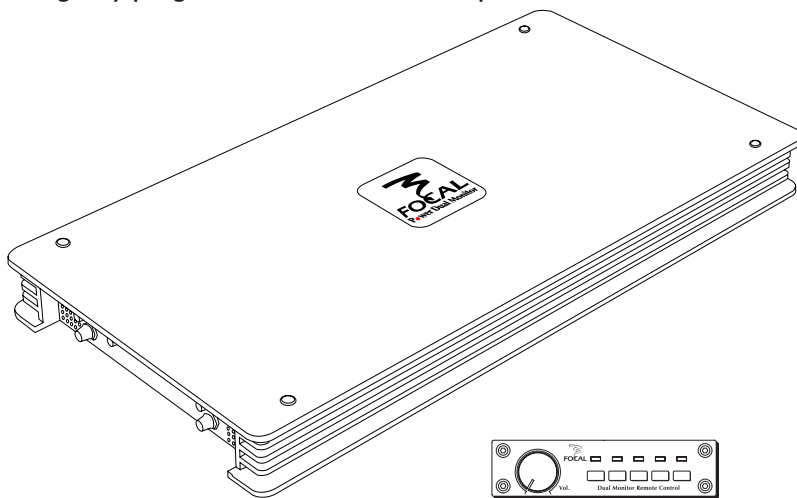


# FP DUAL MONITOR

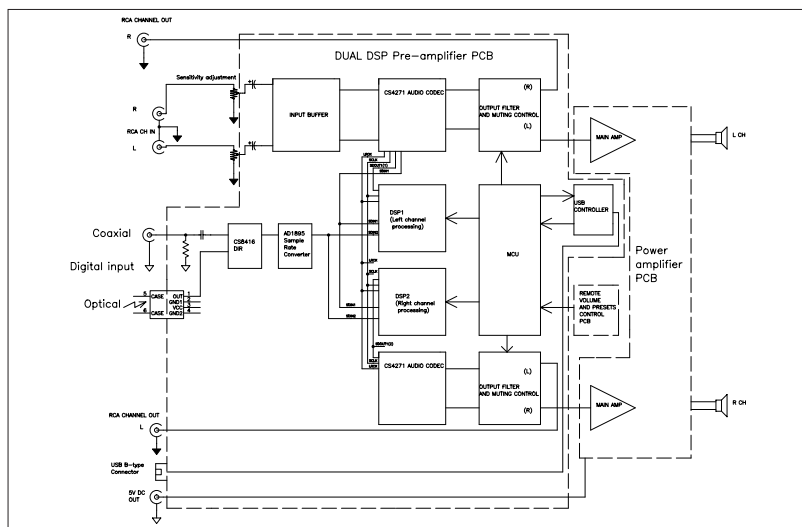
High fidelity dual mono power amplifier

- Dual power supply fully regulated
- 2 internal DSP 24-bit/96kHz
- Toshiba® 5000 serie output stage
- Digitally programmable with software provided

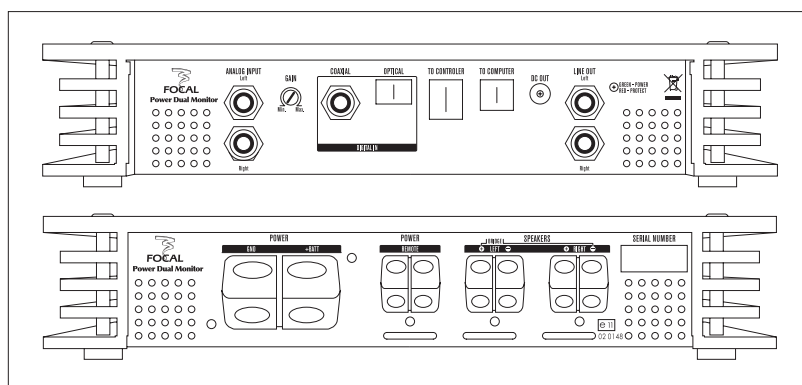


External controller: level + 5 presets

## Block diagram



## Mechanical Drawing



## Specifications

### Specifications

Nominal power measured at 13.8V continuously @ 4Ω	2x250W RMS
Nominal power measured at 13.8V continuously @ 2Ω	2x400W RMS
Power in bridged mode measured at 13.8V continuously @ 4Ω	1x800W RMS
Power in bridged mode measured at 13.8V continuously @ 2Ω	1x1200W RMS
Power supplies	Dual fully regulated
Signal/noise ratio	> 110dB (A)
Damping factor at 4Ω	> 600
Frequency response (-1dB)	10Hz-40kHz
Input impedance	13kΩ
Input sensitivity	0.2-5V
Digital inputs	Coaxial/optical
Operational amplifiers	Burr-Brown®
DSP	2 internal DSP 180 MIPS each
Converters	24-bit/96kHz Crystal®
Software	Provided
Remote control	Provided (gain + 5 presets)
Digital graphic EQ (each input channel)	30 bands of 1/3 octave + PEQ
Digital delay line (each output channels)	4 outputs, 22 ms max.
Digital control	From external PC via USB port
High-pass crossover	Slopes and frequencies fully adjustable
Low-pass crossover	Slopes and frequencies fully adjustable
Digital parametric EQ (Q Bass)	1 band fully adjustable
Maximum cross section of loudspeaker cables	10mm <sup>2</sup> 7 AWG
Maximum cross section of power cables	53mm <sup>2</sup> 0AWG
Protections	DC offset Short-circuit Continuous power Thermal overload Soft clipping Over voltage Polarity error
Dimensions (HxWxD)	50x540x280mm (2x21.25x11")
Weight	7.5kg (16.53 lb)

