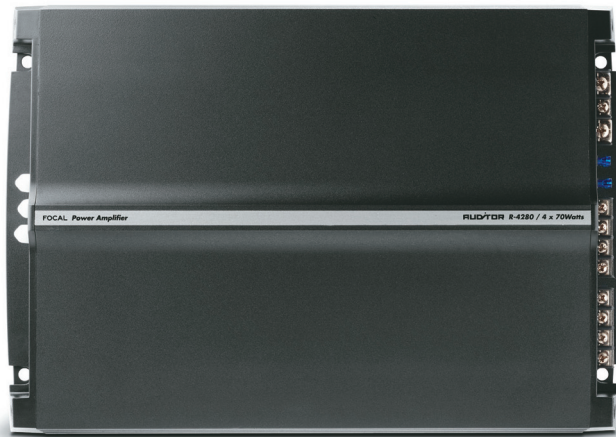


# AUDITOR R-4280

4/3/2-channel A/B class amplifier



- Stable under 2Ω
- Bridgeable
- Good power/quality ratio

## SPECIFICATIONS

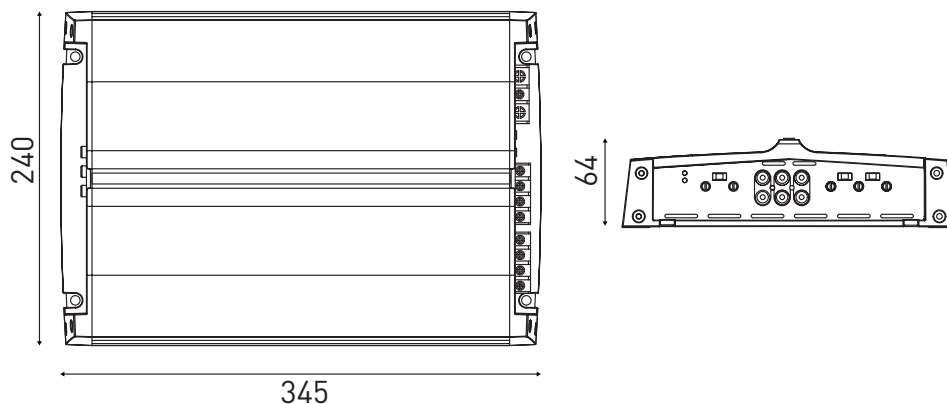
### AUDIO SPECIFICATIONS

CEA Power (4Ω)	4x70W RMS
Maximum power (2Ω)	4x90W RMS
Maximum Power (bridged 4Ω)	2x170W RMS
Bandwidth (-3dB)	10Hz - 30kHz (3dB)
THD	0,06%
Channel Separation (1KHz)	54dB
SNR (1W/A)	83dBA

### GENERAL FEATURES

Low level input sensitivity	0.2V - 5V
High-pass crossover (channel 1-2)	60Hz-1.2Khz
High-pass crossover (channel 3-4)	100Hz- 2.2Khz
Low-pass crossover	50-250Hz
Full range Mode	√
Protections	Short-circuit / Low impedance / Polarity reversal / Over voltage / Low tension / Thermal overload
Weight Lbs / g	6.61 / 3 000
Dimensions (LxHxh) Inches / mm	13 <sup>9/16</sup> x2 <sup>1/2</sup> x9 <sup>7/16</sup> " (345x64x240mm)

## MECHANICAL DRAWING



 **Performance**  
CREATE YOUR SOUND

 **FOCAL**<sup>®</sup>  
THE SPIRIT OF SOUND