

AUDITOR R-100C

Woofer (4")

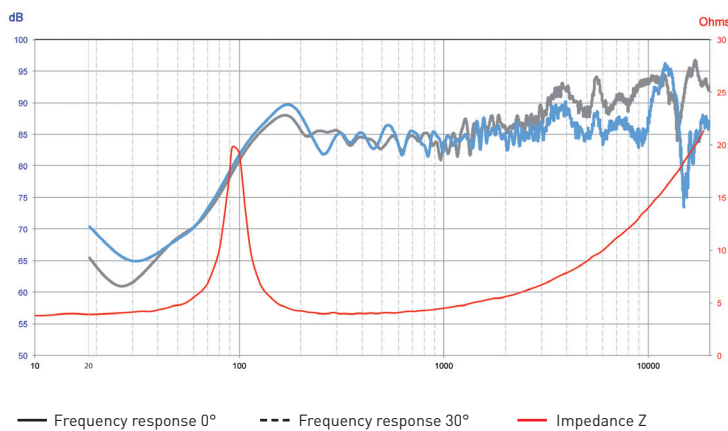


- Polypropylene Cone
- Steel basket
- Mylar tweeter

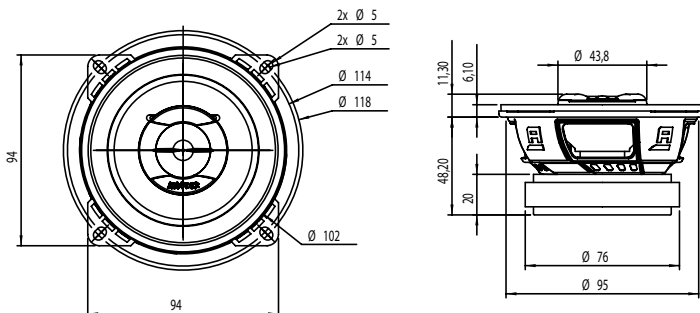
SPECIFICATIONS

Nominal power	30W RMS	
Maximum power	60W	
Sensitivity (2,83V/1m)	88dB	
Cone	Polypropylene	
Surround	Rubber	
Nom. impedance	4 Ω	
DC resistance	3.4 Ω	
VC diameter	25mm	1"
VC height	7.5mm	0 ¹⁹ / ₆₄ "
Former	Kapton	
Layers	2	
Wire	Copper	
Xmax	± 2.5mm	0 ³ / ₃₂ "
Magnet d x h	76mm x 12mm	2 ⁶³ / ₆₄ x 0 ¹⁵ / ₃₂ "
Flux density	0.96T	
Gap height	3.5mm	0 ⁹ / ₆₄ "
Net weight	450g	0.99 lbs

FREQUENCY RESPONSE/IMPEDANCE



MECHANICAL DRAWING



PARAMETERS

Fs	104.1Hz
Vas	1.73L
Qts	1.021
Qes	1.19
Qms	7.17
Re	3.4 Ω
Sd	55.42cm ²
Cas	5.62E-08m ⁵ /N
Mas	189.51Kg/m ⁴
Ras	17287.71 Ω.ac
Cms	4.02E-04m/N
Mms	5.82g
Rms	0.531Kg/s
Ces	513.94mF
Les	4.55mH
Res	21.33 Ω
BI	3.37N/A
SPL	84.00dB
f-3dans 30L	80Hz