

Performance P Bomba 27 V1



Active, vented bass enclosure

• MDF box, 0^{5/8}" (16mm) thick, internal damping material
More rigidity, less vibrations

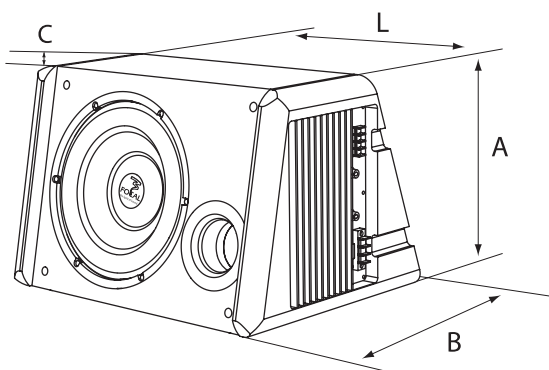
• 1" (50mm) voice-coil/4 layers on aluminium support
High power handling

• Large Butyl surround
Excellent reliability

• 10^{5/8}" (27cm) Polyglass cone subwoofer
Sound precision and neutrality

• Voice-coil cooling system
Elimination of dynamic compressions

• Streamlined vent hole
Air noise reduction



A = 12 ^{3/16}" - 310mm
B = 14 ^{5/8}" - 371mm
C = 6 ^{11/16}" - 170mm
L = 18 ^{1/3}" - 466mm

ADVANTAGES

- Full match with your audio system thanks to numerous settings
- Focal technologies
- Excellent quality/price ratio

TECHNICAL CHARACTERISTICS

Subwoofer: 10^{5/8}" (27cm)

Max. power: 300W

Nom. power: 150W

Sensitivity (2.8V/1m): 90dB

Frequency response: 36Hz - 160Hz

Amplifier: 300W max.

Phase selector: (0 - 180°)