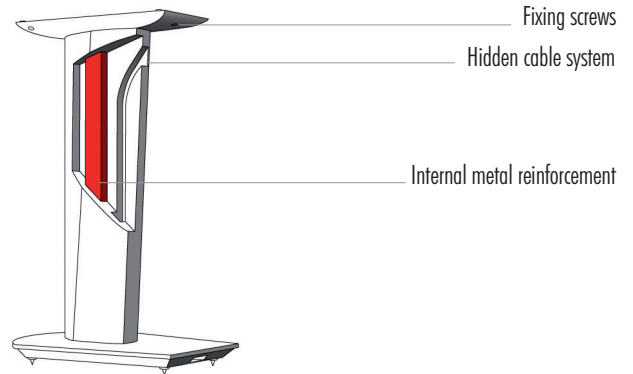
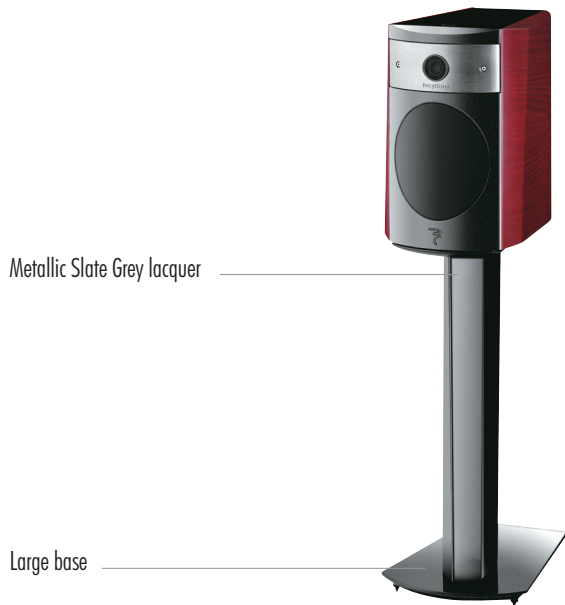
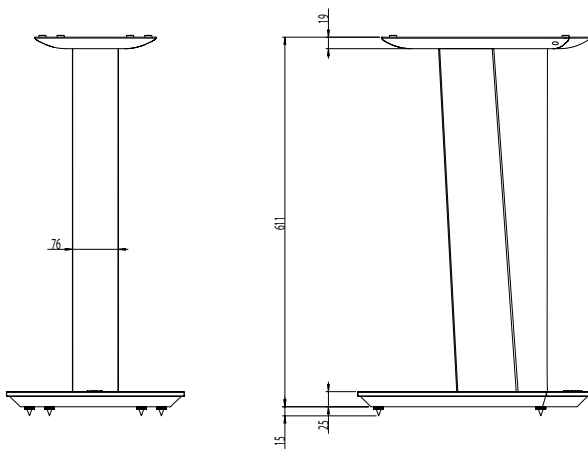


ELECTRA S 1007.1 HIGH GLOSS STAND

Product specification sheet



Spikes supplied



- ◆ Large base for much stability
- ◆ Internal metal reinforcement to limit vibrations
- ◆ Electra 1007 fixed on plate with screws

Height without spikes	24 ¹ / ₁₆ " (611mm)
Height with spikes	25 ¹ / ₁₆ " (636mm)
Weight	35.2lbs (16kg)

