

# 165 A3 SG

6" Access 1 woofer

All weather woven glass fiber cone  
Butyl surround



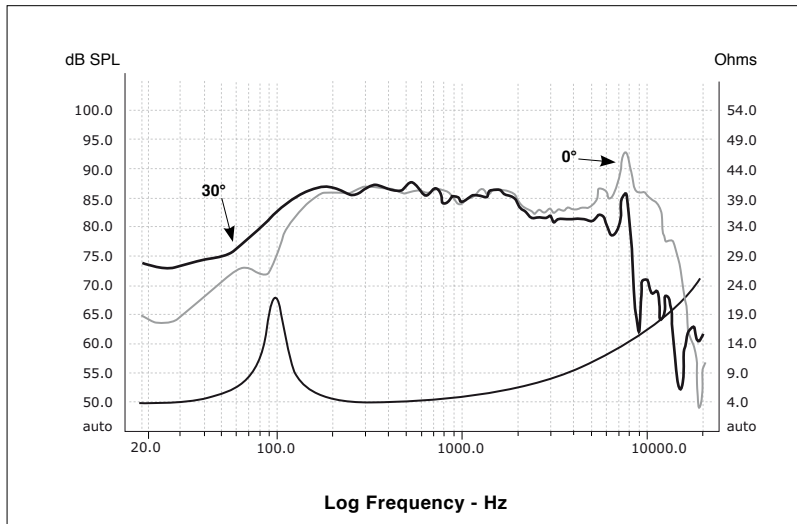
## Specifications

Nominal power	80W
Maximum power	160W
Sensitivity	92dB
Cone	Braided glass fiber®
Surround	Butyl
Nom. impedance	4 Ohms
DC resistance	3.31 Ohms
VC diameter	25mm
VC height	11 mm $\varnothing 7/16''$
Former	Kapton®
Layers	2
Wire	Copper
Inductance	0.2mH
Xmax	2.5mm $0 1/8''$
Magnet d x h	85 x 15mm $3 1/13'' \times 0 7/16''$
Magnet weight	0.35kg 0.77lb
Flux density	1.3T
Gap height	5.5mm $0 3/16''$
Net weight	0.85kg 1.87lb

## Parameters

Fs	66.9Hz
Vas	9.42l
Qts	0.86
Qes	1.04
Qms	4.96
Re	3.31 Ohms
Sd	137cm <sup>2</sup>
Cas	6.71E - 08m <sup>5</sup> /N
Mas	84.27kg/m <sup>4</sup>
Ras	7142.97 Ohms.ac
Cms	3.57E - 04m/N
Mms	15.83g
Rms	1.342kg/s
Ces	747.37mF
Les	7.57mH
Res	15.74 Ohms
Bl	4.59 N/A
SPL	86.1dB/W/m

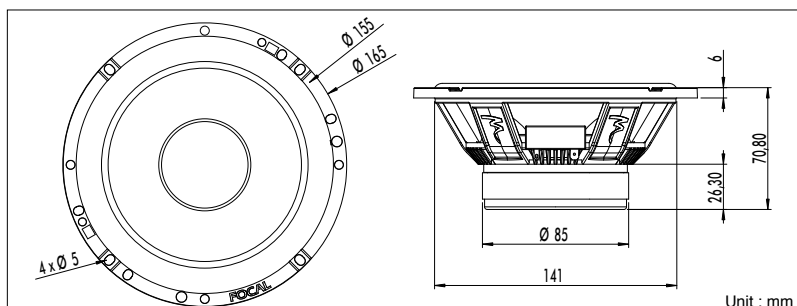
## Frequency Response / Impedance



## Suggested application

Load	V (l)	Fb (Hz)	F-3 (Hz)	Ql
Sealed	30	-	55	7

## Mechanical Drawing



Focal® is a trademark of Focal-JMLab® - BP 374 - 108, rue de l'Avenir - 42353 La Taubaudière cedex France - Tél. (33) 04 77 43 57 00 - Fax (33) 04 77 37 65 87 - www.focal.com - SCEB-1200201/1



**FOCAL**  
THE SPIRIT OF SOUND