

165 A1 SG

6" Access 1 woofer [After-sales Dpt ref: 6 A1]

- All weather woven glass fiber cone
- Phase plug
- Voice coil cooling system



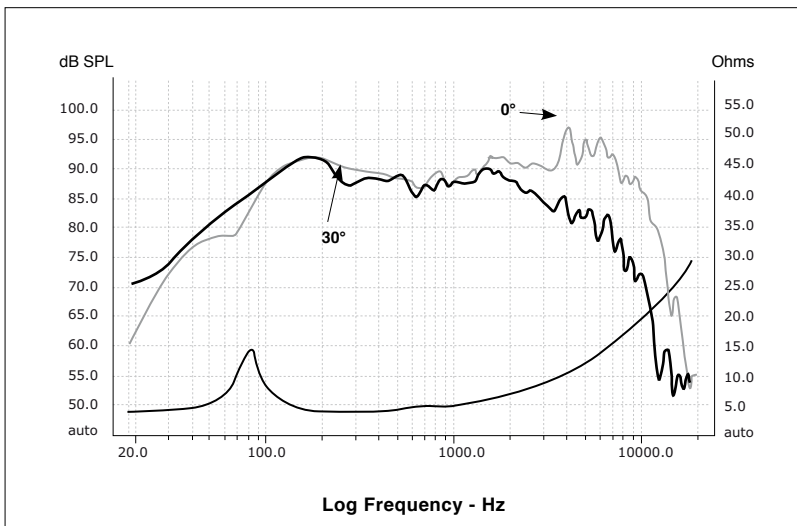
Specifications

Nominal power	60W	
Maximum power	120W	
Sensitivity	92dB	
Cone	Braided glass fiber®	
Surround	Butyl	
Nom. impedance	4 Ohms	
DC resistance	3.45 Ohms	
VC diameter	25mm 1"	
VC height	11 mm	07/16"
Former	Kapton®	
Layers	2	
Wire	Copper	
Inductance	0.21 mH	
Xmax	3mm	01/8"
Magnet d x h	85 x 15mm	3 ³ / ₈ " x 0 ⁷ / ₁₆ "
Magnet weight	0.35kg	0.771lb
Flux density	1.3T	
Gap height	5mm	0 ³ / ₁₆ "
Net weight	0.85kg	1.87lb

Parameters

Fs	82.85Hz	
Vas	6.22l	
Qts	0.938	
Qes	1.2	
Qms	4.3	
Re	3.71 Ohms	
Sd	136.85cm ²	
Cas	4.43 E-0.8m ⁵ /N	
Mas	77.59kg/m ⁴	
Ras	9732.89 Ohms.ac	
Cms	2.37E - 04m/N	
Mms	14.53g	
Rms	1.823kg/s	
Ces	599.64mF	
Les	5.73mH	
Res	13.29 Ohms	
Bl	4.92 N/A	
SPL	87dB/W/m	

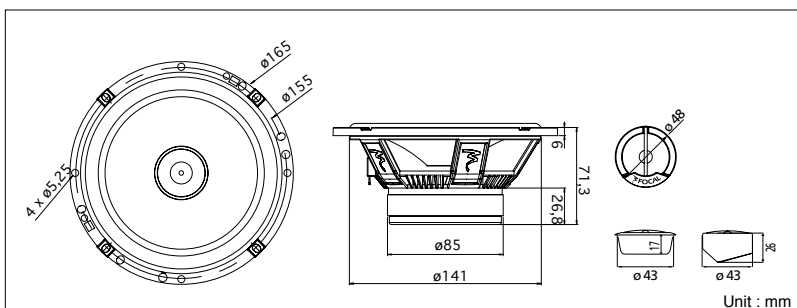
Frequency Response / Impedance



Suggested application

Load	V (l)	Fb (Hz)	F-3 (Hz)	Ql
Sealed	30	-	74	0.87

Mechanical Drawing



Focal® is a trademark of Focal-JMlab® - BP 374 - 108, rue de l'Avenir - 42353 La Taubaudière cedex France - Tél. (33) 04 77 43 57 00 - Fax (33) 04 77 37 65 87 - www.focal.com - SCEB-1200201/1

