

130 V2

5" Polyglass woofer



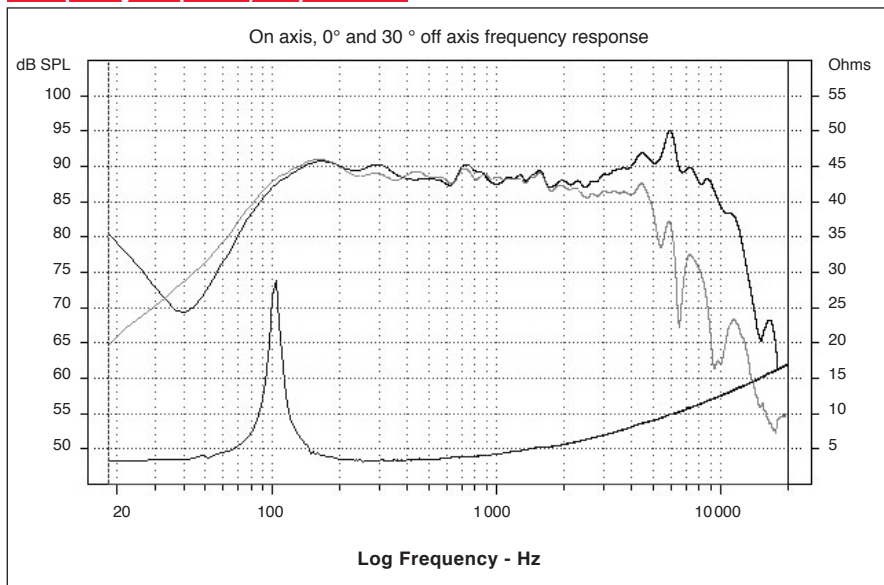
- Zamac chassis
- Polyglass cone, Butyl surround



Specifications

Nominal power	60 W	
Maximum power	120 W	
Sensitivity	92 dB	
Cone	Polyglass	
Surround	Butyl	
Nom. impedance	4 ohms	
DC resistance	3 ohms	
VC diameter	25 mm	
VC height	11 mm	
Former	Kapton	
Layers	2	
Wire	Copper	
Inductance	0.18 mH	
Xmax	3.5 mm	
Magnet d x h	72 x 15 mm	2 ^{13/16} x 0 ^{9/16} in
Magnet weight	750 g	1.65 lb
Flux density	0.9 T	
Gap height	5 mm	
Net weight	850 g	1.87 lb

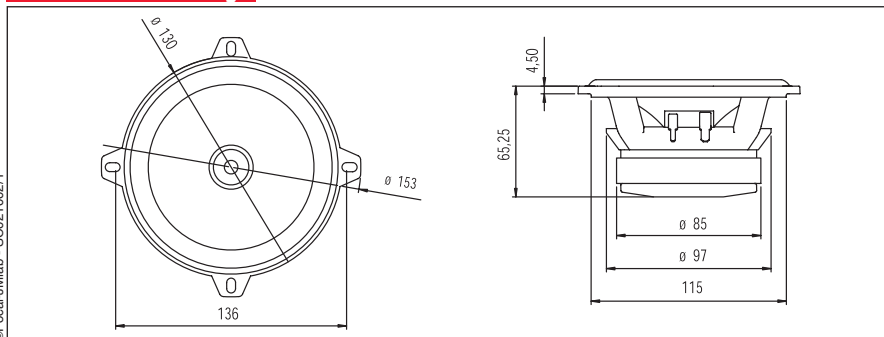
Frequency Response / Impedance



Parameters

Fs	103.14 Hz	
Vas	2.59 l	0.091 Ft ³
Qts	0.965	
Qes	1.070	
Qms	9.860	
Re	3 ohms	
Sd	91.61 cm ²	14.2 in ²
Cas	1.84E-08 m ⁵ /N	
Mas	129.29 kg/m ⁴	
Ras	8497.38 ohms.ac	
Cms	2.19E-04 m/N	
Mms	10.85 g	0.023 lb
Rms	0.713 Kg/s	
Ces	550.37 mF	
Les	4.33 mH	
Res	27.64 ohms	
Bl	4.44 N/A	
SPL	86.08 dB/W/m	

Mechanical Drawing



Suggested application

Load	V (l)	Fb (Hz)	F-3 (Hz)	Ql
Vented	-	-	-	-
Sealed	-	-	-	-

Focal® is a trademark of Focal-JMLab®