

130 A1 SG

5" Access 1 woofer [After-sales Dpt ref: 5 A1]

- Adjustable weather woven glass fiber cone
- Phase plug
- Voice coil cooling system



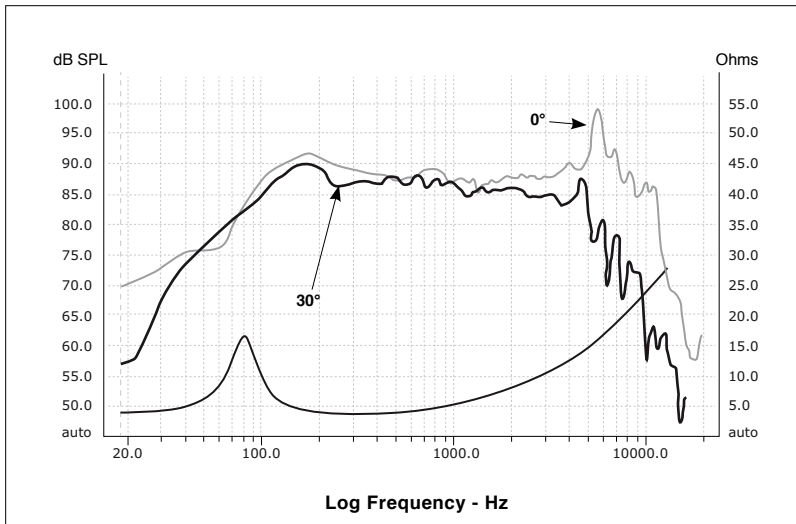
Specifications

Nominal power	50W
Maximum power	100W
Sensitivity	90dB
Cone	Braided glass fiber®
Surround	Butyl
Nom. impedance	4 Ohms
DC resistance	3.8 Ohms
VC diameter	25mm 1"
VC height	11 mm 07/16"
Former	Kapton®
Layers	2
Wire	Copper
Inductance	
Xmax	2.5mm 01/8"
Magnet d x h	85 x 15mm 3 3/8" x 0 9/16"
Magnet weight	0.3kg 0.66lb
Flux density	1.1T
Gap height	5.5mm 0 3/16"
Net weight	0.8kg 1.76lb

Parameters

Fs	8764Hz
Vas	3.14l
Qts	0.752
Qes	0.91
Qms	4.32
Re	3.86 Ohms
Sd	83.32cm ²
Cas	2.24 E-08 m ⁵ /N
Mas	147.35kg/m ⁴
Ras	18782.16 Ohms.ac
Cms	3.22E-04m/N
Mms	10.23g
Rms	1.304kg/s
Ces	428.13mF
Les	7.7mH
Res	18.32 Ohms
Bl	4.89 N/A
SPL	85.51dB/W/m

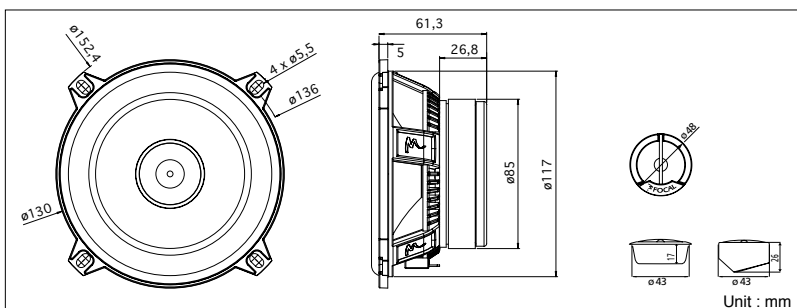
Frequency Response / Impedance



Suggested application

Load	V (l)	Fb (Hz)	F-3 (Hz)	Ql
Sealed	30	-	91	0.66

Mechanical Drawing



Focal® is a trademark of Focal-JMLab® - BP 374 - 108, rue de l'Avenir - 42353 La Taubaudière cedex France - Tél. (33) 04 77 43 57 00 - Fax (33) 04 77 37 65 87 - www.focal.com - SCEB-1200201/1



FOCAL
THE SPIRIT OF SOUND