

100 CA1 SG

4" Access 1 coaxial [After-sales Dpt ref: 4 CA1]

- Adjustable aluminum inverted dome tweeter
- All weather woven glass fiber cone



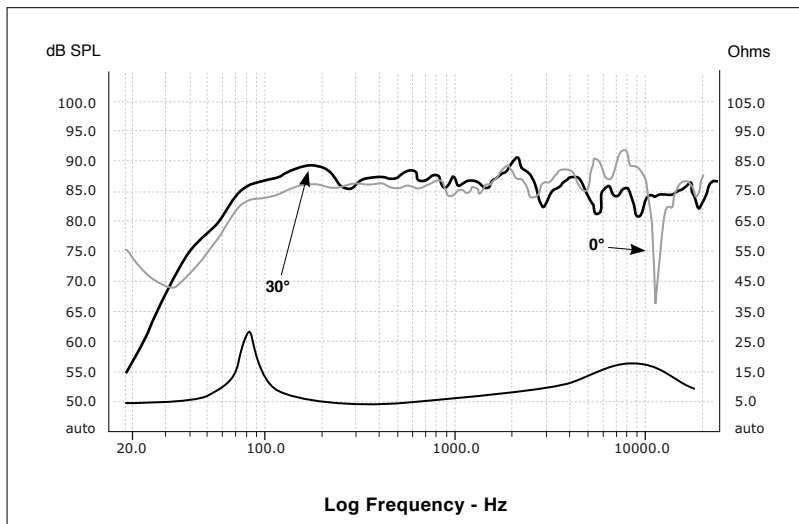
Specifications

Nominal power	40W	
Maximum power	80W	
Sensitivity	88dB	
Cone	Braided glass fiber [®]	
Surround	Butyl	
Nom. impedance	4 Ohms	
DC resistance	3.5 Ohms	
VC diameter	25mm 1"	
VC height	11 mm	07/16"
Former	Kapton [®]	
Layers	2	
Wire	Copper	
Inductance		
Xmax	2.5mm	01/8"
Magnet d x h	70 x 15mm	23/4" x 07/16"
Magnet weight	0.325kg	0.7lb
Flux density	1.1T	
Gap height	5.5mm	03/16"
Net weight	0.5kg	1.1lb

Parameters

Fs	90.28Hz
Vas	1.94l
Qts	0.632
Qes	0.68
Qms	9.05
Re	3.3 Ohms
Sd	54.11cm ²
Cas	1.38 E-08 m ⁵ /N
Mas	225.45kg/m ⁴
Ras	14131.06 Ohms.ac
Cms	4.71 E-04 m/N
Mms	6.6g
Rms	0.414kg/s
Ces	363.26mF
Les	8.56mH
Res	43.92 Ohms
Bl	4.26 N/A
SPL	85.05dB/W/m

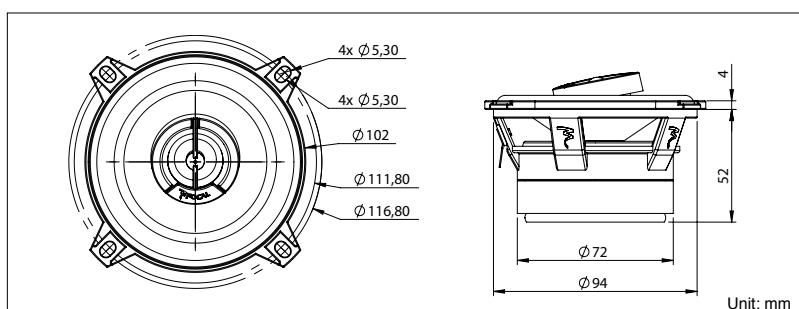
Frequency Response / Impedance



Suggested application

Load	V (l)	Fb (Hz)	F-3 (Hz)	Ql
Sealed	30	-	101	0.65

Mechanical Drawing



Focal[®] is a trademark of Focal-JMLab[®] - BP 374 - 108, rue de l'Avenir - 42353 La Taubaudière cedex France - Tél. (33) 04 77 43 57 00 - Fax (33) 04 77 37 65 87 - www.focal.com - SCEB-1200201/1



FOCAL
THE SPIRIT OF SOUND